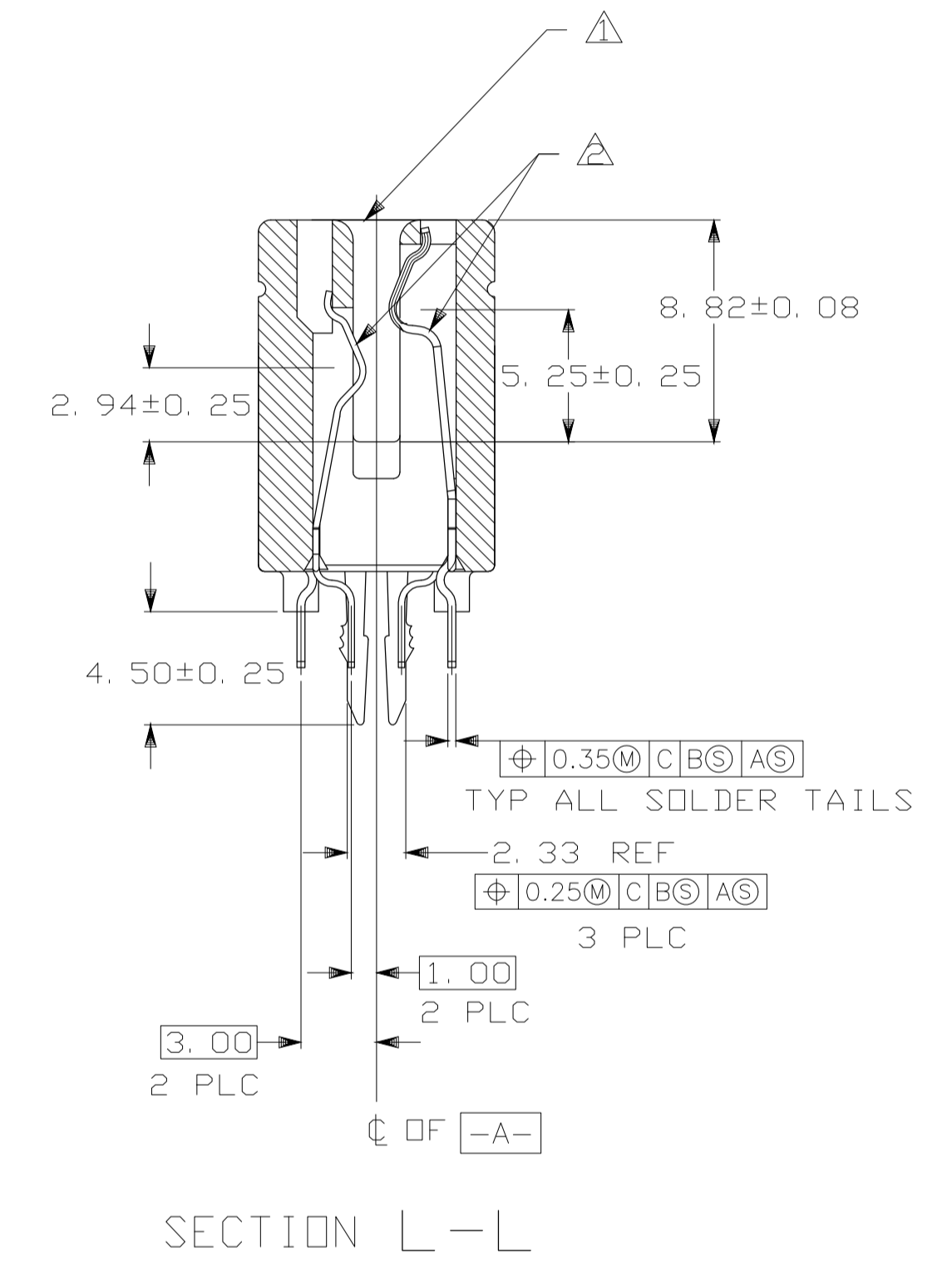
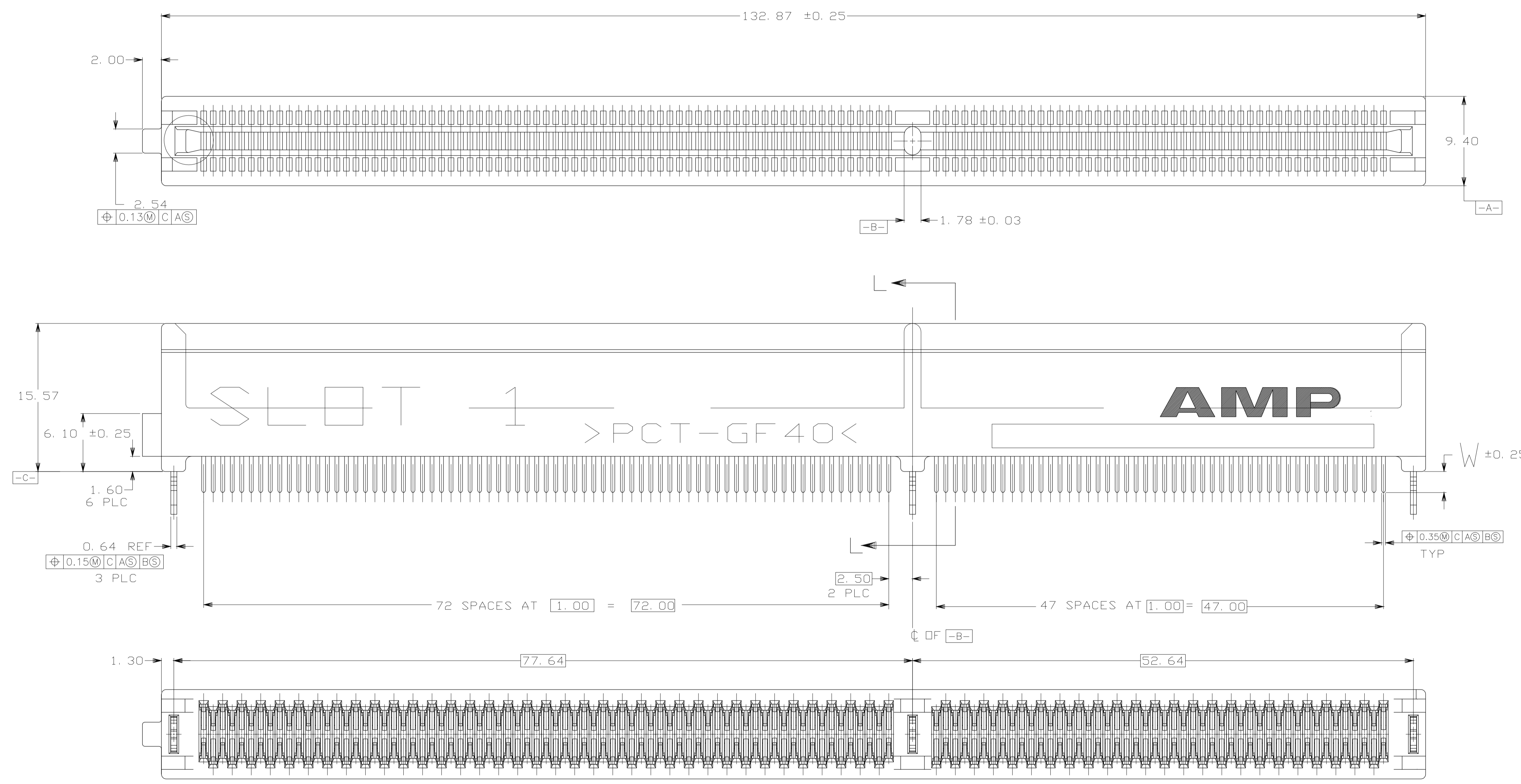


LOC	DIST	REVISIONS			
P	LTR	DESCRIPTION	DATE	DMN	APVD
0		REVISED PER FB00-0246-04	21OCT04	L.Z	I.E
01		REVISED PER ECO-10-000444	19JAN10	KK	HMR



- ⚠ MATERIAL: HOUSING, THERMOPLASTIC, COLOR: BROWN.
CONTACTS, PHOSPHOR BRONZE.
HOLD-DOWNS, BRASS.
- ⚠ FINISH: CONTACTS, 1.27 MIN. MICROMETERS NICKEL ALL OVER,
0.38 MIN. MICROMETERS GOLD OVER NICKEL IN CONTACT AREA,
- ⚠ FINISH: 2.54 MIN MICROMETERS TIN OVER NICKEL ON SOLDER TAILS.
- ⚠ FINISH: CONTACTS, 1.27 MIN. MICROMETERS NICKEL ALL OVER,
0.0254-0.0762 MICROMETERS GOLD OVER NICKEL IN CONTACT AREA.
- ⚠ OBSOLETE PARTS: OBSOLETE CIS STREAMLINING PER D.RENAUD/D.SINISI

LEAD FREE

REVISION	DESCRIPTION	DATE	BY	CHKD
1	3.18	5145251-6		
2	2.54	5145251-5		
3	3.18	5145251-3		
4	2.54	5145251-2		
5	2.16	5145251-1		

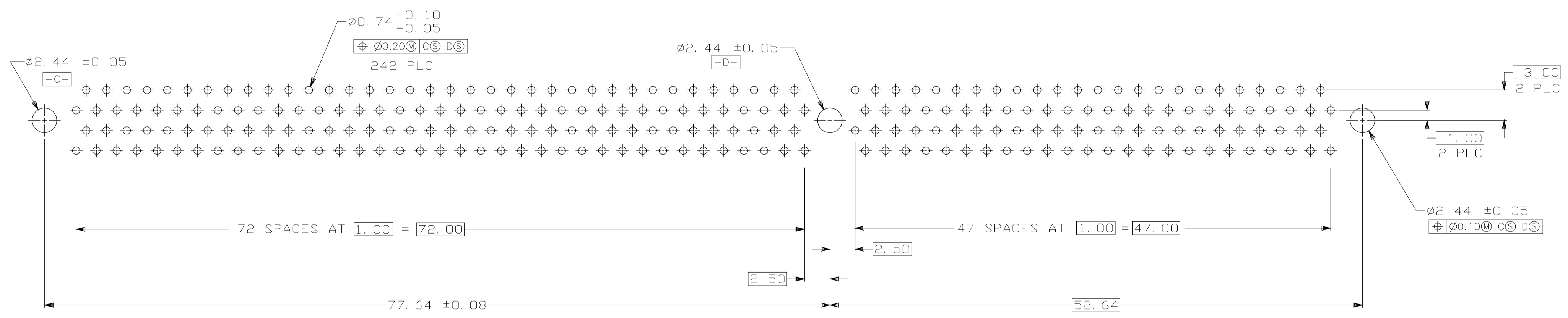
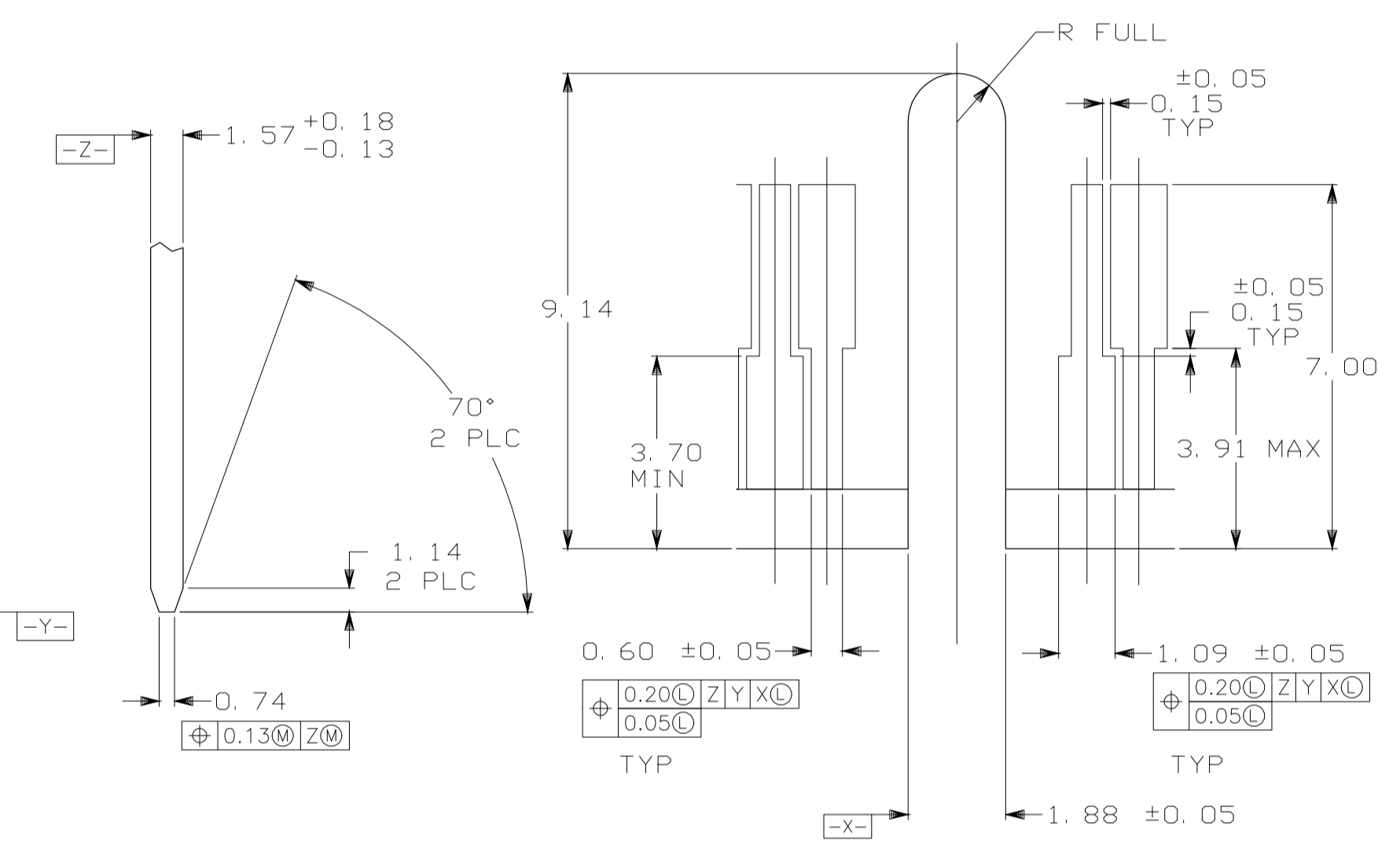
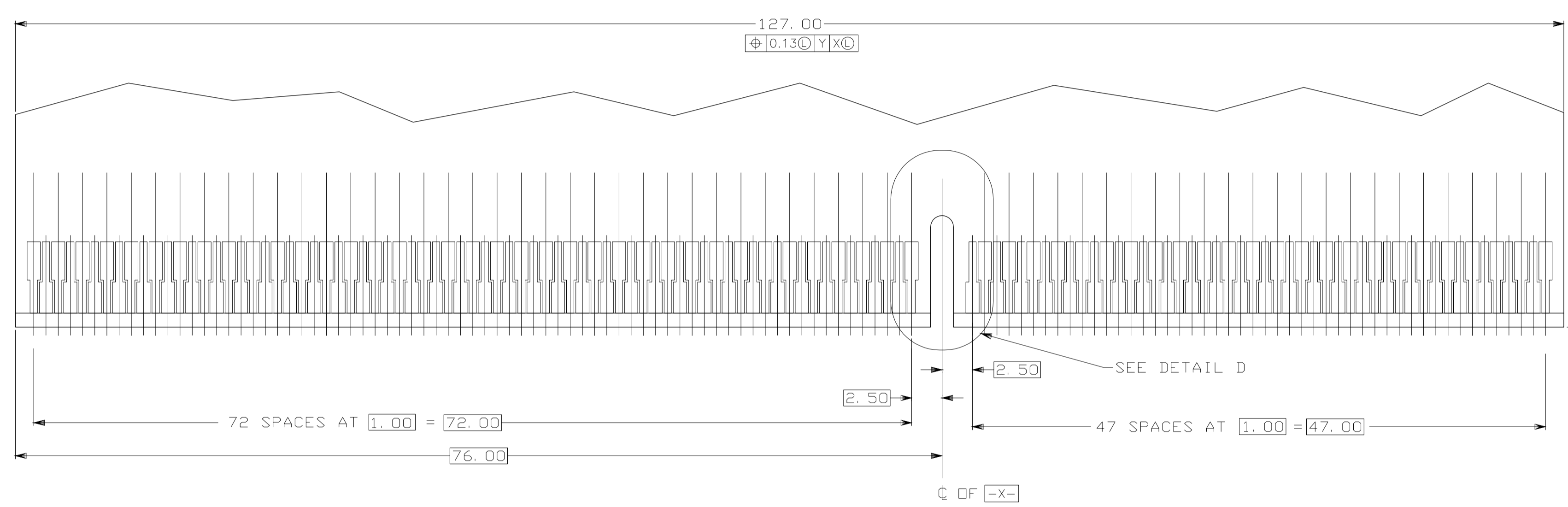
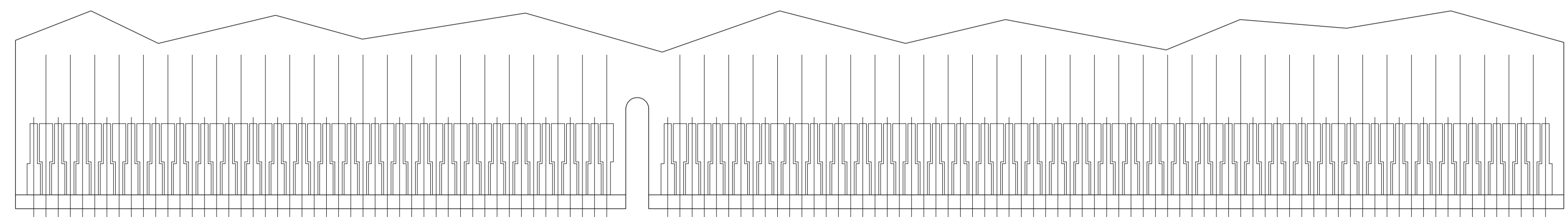
THIS DRAWING IS A CONTROLLED DOCUMENT.

DIMENSIONS:	TOLERANCES UNLESS OTHERWISE SPECIFIED:	DWG NO	21OCT2004	REV	21OCT2004
mm	0 PLC ± -	DRWING NO	21OCT2004	REV	21OCT2004
	1 PLC ± -	SIZE	A1	SCALE	1:1
	2 PLC ± 0.13	WEIGHT	00779	SHEET	1 OF 2
	3 PLC ± -	RESTRICTED TO	RESTRICTED CUSTOMER	REV	01
	4 PLC ± -				
	ANGLES ± -				

Leo Zhou, Steven Yao, Kenomoto

AMP, 1mm CENTERLINE STANDARD EDGE ASSEMBLY 242 POSITION

5145251



LEAD FREE

THIS DRAWING IS A CONTROLLED DOCUMENT.		DIN	21OCT2004	Tyco Electronics Corporation
		LEO ZHOU	21OCT2004	
		CHK	21OCT2004	SH/CN GuiPingRD 668#
		APVD	20OCT2004	
		NAME	AMP, 1mm CENTERLINE STANDARD EDGE ASSEMBLY 242 POSITION	
		PRODUCT SPEC		
		APPLICATION SPEC		
		SIZE	CAGE CODE	DRAWING NO
		WEIGHT	A1 00779	C=5145251
		CUSTOMER DRAWING	SCALE 1:1	SHEET 2 OF 2 REV 01

单击下面可查看定价，库存，交付和生命周期等信息

[>>TE Connectivity\(泰科\)](#)