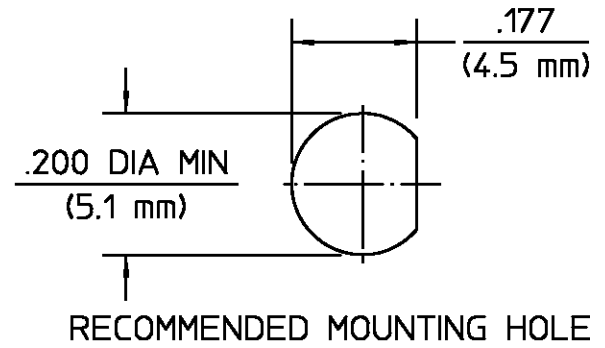


REVISIONS			
REV	DESCRIPTION	DATE	APPROVED
01 ₀	RELEASED	1/20/89	<i>[Signature]</i>



COMPONENT	MATERIAL	FINISH
HOUSING MOUNTING NUT CLAMP NUT LOCKWASHER	STAINLESS STEEL PER ASTM-A484 AND ASTM- A582, TYPE 303	GOLD PLATE PER MIL-G-45204 OVER NICKEL PLATE PER QQ-N-290LATE PER
DIELECTRIC	TFE FLUOROCARBON PER MIL-P-19468 AND FED SPEC L-P-403	N/A
CENTER CONTACT	BERYLLIUM COPPER PER QQ-C-530, ALLOY 173	GOLD PLATE PER MIL-G-45204 OVER COPPER PLATE PER MIL-C-14550
RETAINING RING	BERYLLIUM COPPER PER QQ-C-533	N/A
SLEEVE	BRASS PER QQ-B-626 COMP 360	GOLD PLATE PER MIL-G-45204 OVER COPPER PLATE PER MIL-C-14550
FERRULE	SOFT COPPER ALLOY	GOLD PLATE PER MIL-G-45204 OVER COPPER PLATE PER MIL-C-14550
SHRINK TUBING	HEAT SHRINKABLE POLYOLEFIN COMPOUND MIL-I-23053	N/A

CABLE ENTRY DIAMETER MINIMUM	
CONTACT	.023
SLEEVE	.0367
DIELECTRIC	.039

UNLESS OTHERWISE SPECIFIED
DIMENSIONS ARE IN INCHES
TOLERANCE ON
FRAC DEC ANGLES
± 1/64 ± .005 ± 1°

These drawings and specifications are the property of Omni Spectra Incorporated and shall not be reproduced or copied or used in whole or in part as the basis for the manufacture or sale of item(s) without written permission.

DRAWN BY K.C. MAHER DATE 1/18/89
CHECKED BY L. ROSS 1/20/89
APP'D BY *[Signature]* 1/20/89

USE ASS'Y PROCEDURE

408-04772
(10-059)
NO. AP. _____

AMP
AMP Incorporated
140 Fourth Avenue
Waltham, MA 02451-7599

TITLE OSSM BULKHEAD FEEDTHRU
CABLE JACK
CRIMP ATTACHMENT

SIZE B	CODE IDENT NO. 26805	1034-5009-18	REV 01 ₀
-----------	-------------------------	--------------	------------------------

SCALE 4:1 SHEET 1 OF 1

- NOTES:
- DESIGNED FOR USE WITH RD 196 & RD 178 DOUBLE BRAIDED CABLE
 - CAPTURED CENTER CONTACT

单击下面可查看定价，库存，交付和生命周期等信息

[>>TE Connectivity\(泰科\)](#)