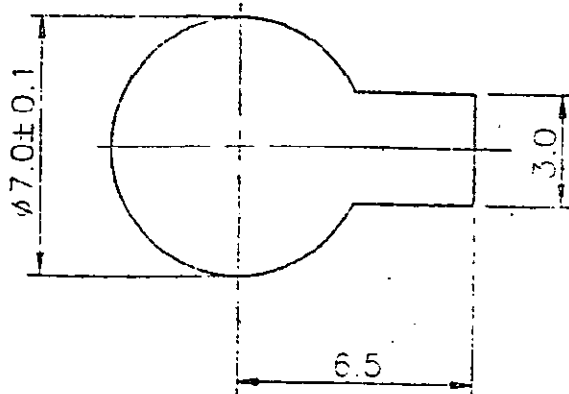


PANEL HOLE SIZE



PANEL THICKNESS : 0.7 - 1.6 mm

CONTROLLED
 CONTROLLED
 陸外秘

B	REVISED(P93-028)	EH	JK	3/23/95	JK
A	REVISED	JK	CS	10/20/95	JK
O	RELEASED	JK	CS	10/25/95	JK
LTR	REVISION RECORD	DR	CHK	DATE	

© 19 AMP MFG KOREA ALL RIGHT RESERVED AMP PRODUCTS COVERED BY PATENTS AND OR PATENTS PENDING		AMP * AMP MFG KOREA	
WIRE RANGE 	INSULATION DIA 	NAME CLIP HSG FOR 070 & EJ MK-II+	
MATERIAL NYLON 66	FINISH/COLOR BLACK	TOLERANCES 0 < XX < 10 ± 0.2 10 ≤ XX < 50 ± 0.25 30 ≤ XX < 100 ± 0.3 ANGLES ± 3	SIZE LOC NO A3 DS 85000-1
DR EH HONG	APP CS LEE	SCALE 5/1	REV B SHEET 1/1
CHK JK SONG	REL JK SONG	AMP-ME-002 (REV. 9/92)	

DO NOT SCALE PRINT

PRINT DIST.

单击下面可查看定价，库存，交付和生命周期等信息

[>>TE Connectivity\(泰科\)](#)