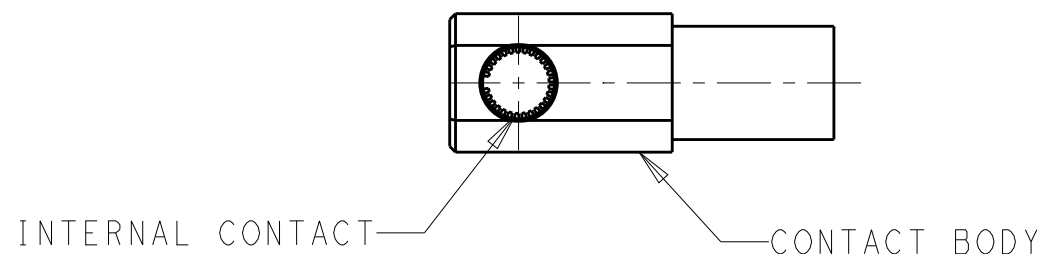
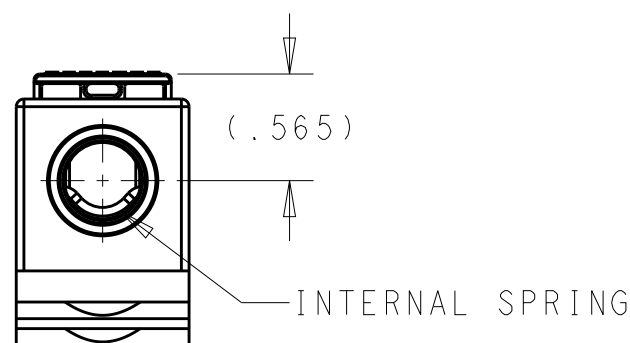
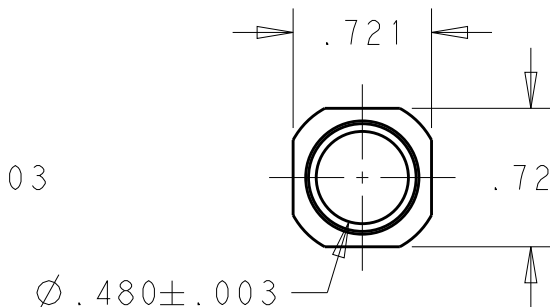
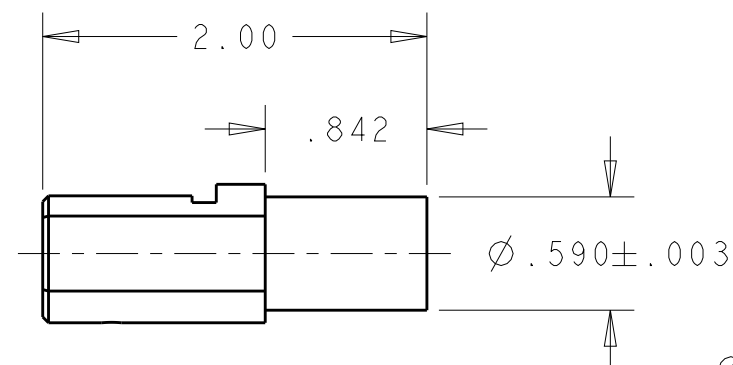
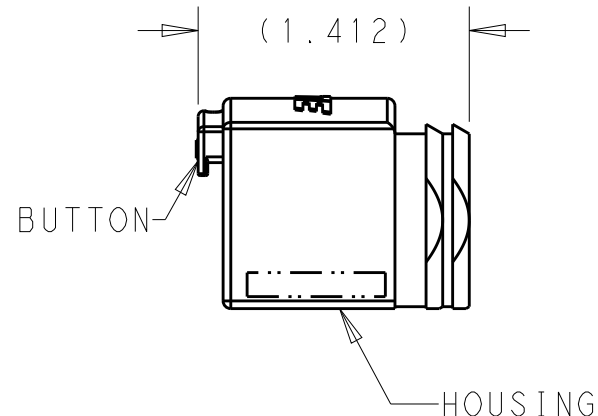
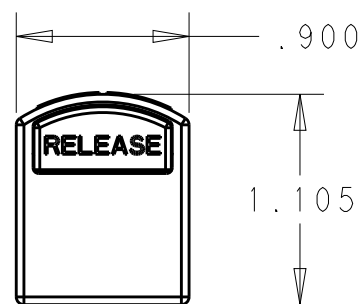
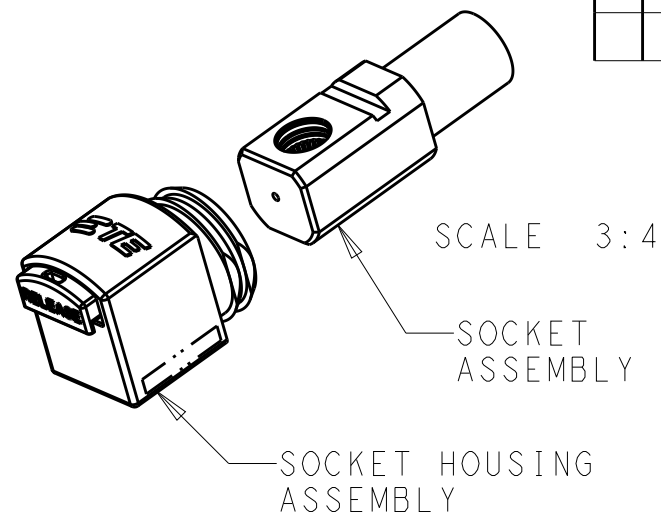


REVISIONS

P	LTR	DESCRIPTION	DATE	DWN	APVD
	B	REV PER ECO 17-001628	2-13-17	CT	PD

- 1 MATERIAL:
HOUSING: THERMOPLASTIC, COLOR: PER TABLE
BUTTON: THERMOPLASTIC, COLOR: BLACK
INTERNAL CONTACT AND CONTACT BODY: COPPER ALLOY
INTERNAL SPRING: STAINLESS STEEL
- 2 FINISH:
INTERNAL CONTACT: SILVER OVER NICKEL
CONTACT BODY: TIN OVER NICKEL
3. DO NOT ASSEMBLE SOCKET HOUSING ASSEMBLY ONTO SOCKET CONTACT ASSEMBLY UNTIL WIRE IS CRIMPED ONTO SOCKET CONTACT ASSEMBLY.
4. KIT WILL CONTAIN:
1 SOCKET ASSEMBLY
1 SOCKET HOUSING ASSEMBLY



BLACK	2226742-4
RED	2226742-3
BLUE	2226742-2
YELLOW	2226742-1
HOUSING COLOR	PART NUMBER

THIS DRAWING IS A CONTROLLED DOCUMENT.

DWN 16DEC2013
MCKIBBEN, JOHN
CHK 16DEC2013
OH, LAWRENCE
APVD 16OCT2014
FUJIMOTO, JOHN



NAME KIT, SNAP-LUG, 1/0 - 2/0

DIMENSIONS: INCHES	TOLERANCES UNLESS OTHERWISE SPECIFIED:
	0 PLC ±
	1 PLC ±
	2 PLC ±.01
	3 PLC ±.005
	4 PLC ±
	ANGLES ±

PRODUCT SPEC 108-32083
APPLICATION SPEC 114-32130
WEIGHT .143 lbs

SIZE	CAGE CODE	DRAWING NO	RESTRICTED TO
A3	00779	C=2226742	-

MATERIAL	FINISH
1	2

CUSTOMER DRAWING SCALE 1:1 SHEET 1 OF 1 REV B

单击下面可查看定价，库存，交付和生命周期等信息

[>>TE Connectivity\(泰科\)](#)