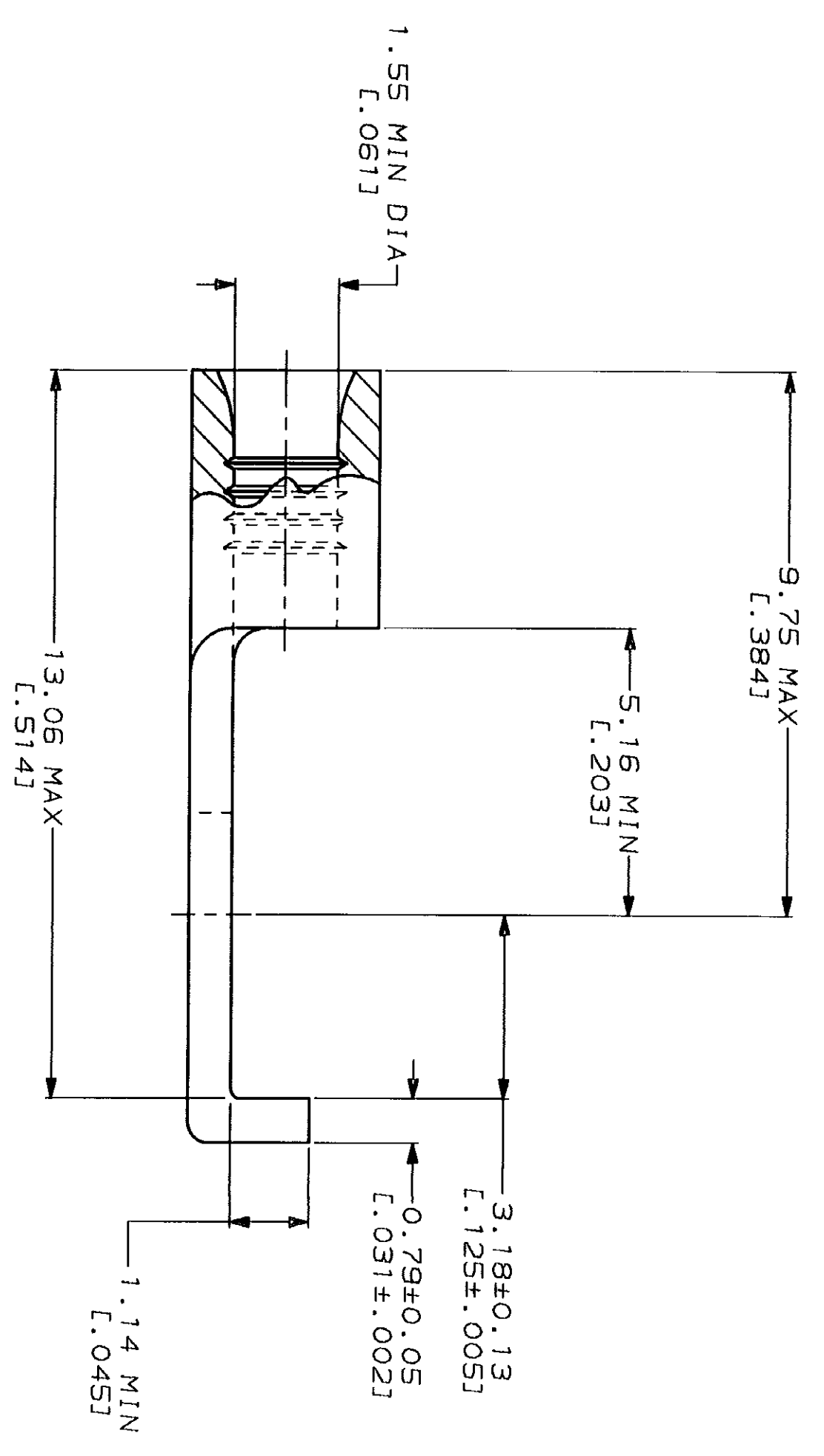
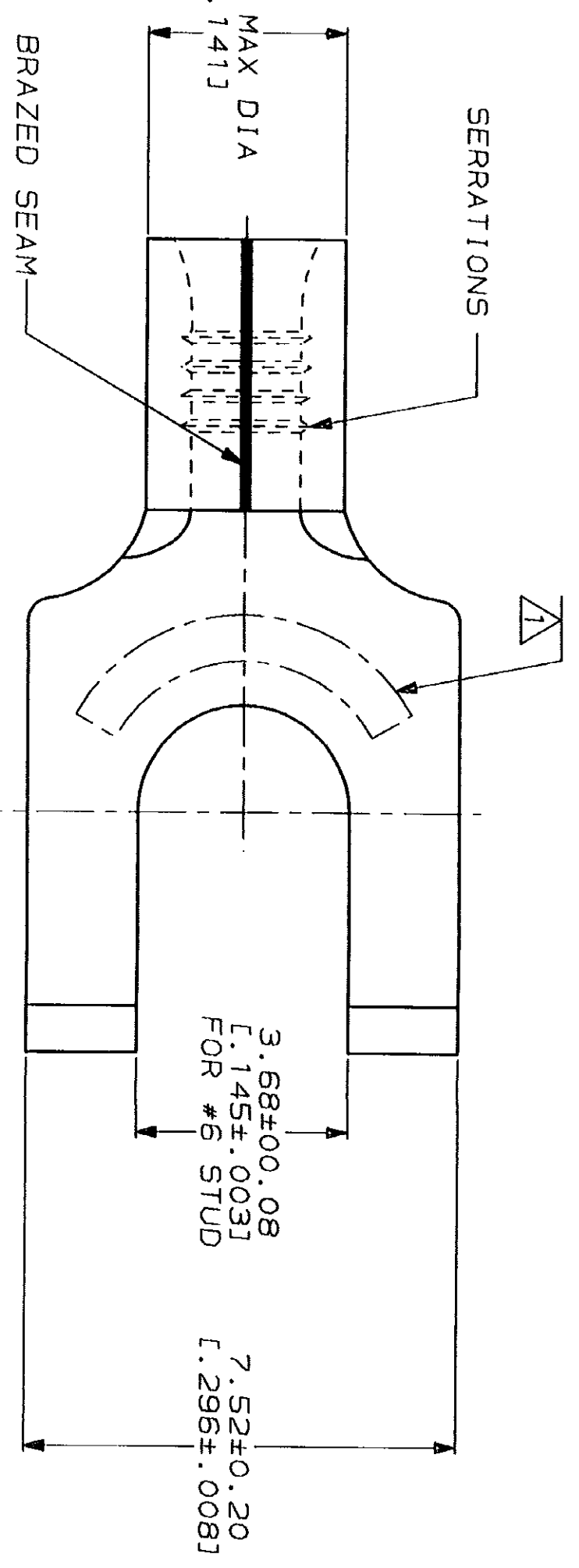
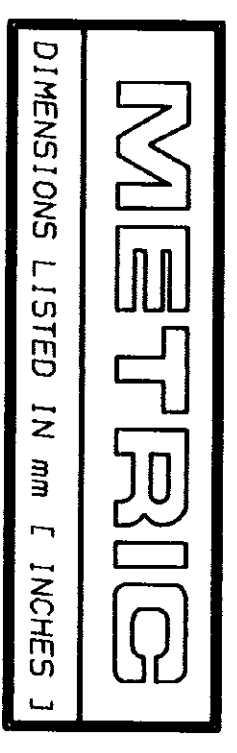


LOC	DIST	REV	DESCRIPTION	DATE	APPD
G	14	F	REV, RDRW, & SM PKG PER 0720-0040-93	4-8-93	JAD



AMP WIRE RANGE	UL E13288 Listed
22-16 AWG SOLID OR STRANDED	22-16 AWG SOLID OR STRANDED
LR2189 Certified	MILITARY P/N AND CLASS
22-16 AWG SOLID OR STRANDED	NOT APPLICABLE

STAMP AMP 22-18* APPROX AS SHOWN
22-16 TERMINALS ARE STAMPED 22-18 IN
ACCORDANCE WITH MILITARY SPECIFICATION
MIL-T-7928; COMMERCIAL WIRE RANGE IS 22-16

QUANTITY	PACKAGE TYPE	PART NO
100	LOOSE PIECE BOX	8-320749-1
5000	ON TAPE	2-320749-2
----	LOOSE PIECE	320749

AMP INCORPORATED
CUSTOMER SERVICE SYSTEMS

FOR ADDITIONAL PRODUCT INFORMATION OR COPIES OF DRAWINGS AND TECHNICAL DOCUMENTS	PRODUCT INFORMATION CENTER 1-800-522-6752
FOR APPLICATION TOOLING INFORMATION	TOOLING ASSISTANCE CENTER 1-800-722-1111
FOR ORDER ENTRY	1-800-526-5142

MAX RECOMMENDED OPERATING
TEMPERATURE: 170°C MAX

DO NOT SCALE PRINT.
UNLESS SPECIFIED
DIMENSIONS IN MILLIMETERS
TOLERANCES ON:
1. DIMENSIONS IN MILLIMETERS
2. PLG DEC ±
3. PLG DEC ±

AMP
AMP Incorporated
Harrisburg, PA 17105-3608

VOLTAGE RATING:
NOT APPLICABLE

DR 4-8-93
TA BRINKMAN
CHK 4-8-93
DA PATTERSON
APPD 4-8-93
DE MILLER
APPD 4-8-93
JL MECKLEY
PRODUCT SPEC

TERMINAL, FLANGED
SPADE, SOLI STRAND™

WIRE CROSS SECTIONAL AREA RANGE:
0.26-1.65mm² [509-3,260] CIR MILS
SOLID OR STRANDED

FINISH TIN PLATE
0.00254 [L.000100] MIN
THK PER MIL-T-10727

SIZE CAGE CODE DRAWING NO
SCALE 10:1 ©=320749

单击下面可查看定价，库存，交付和生命周期等信息

[>>TE Connectivity\(泰科\)](#)