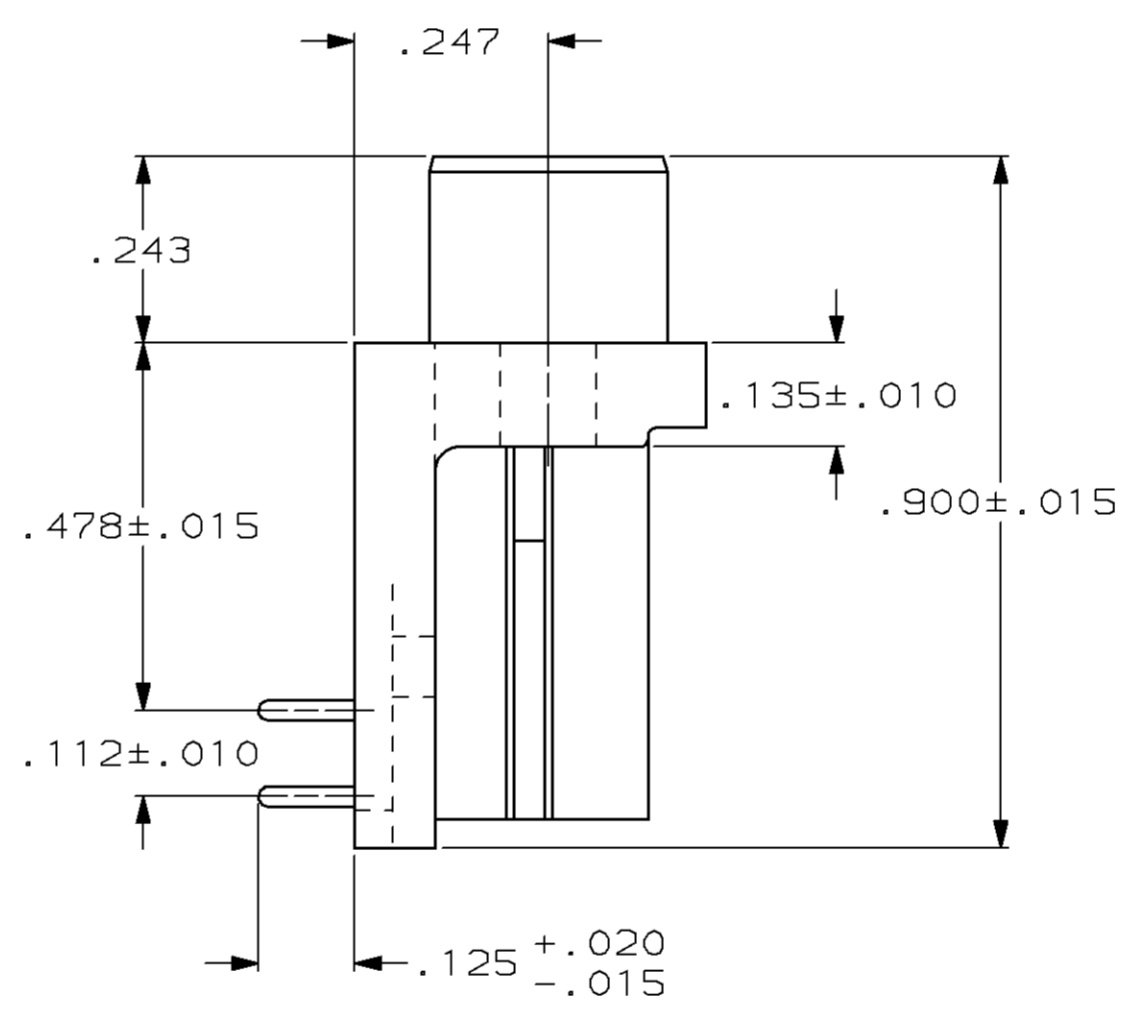
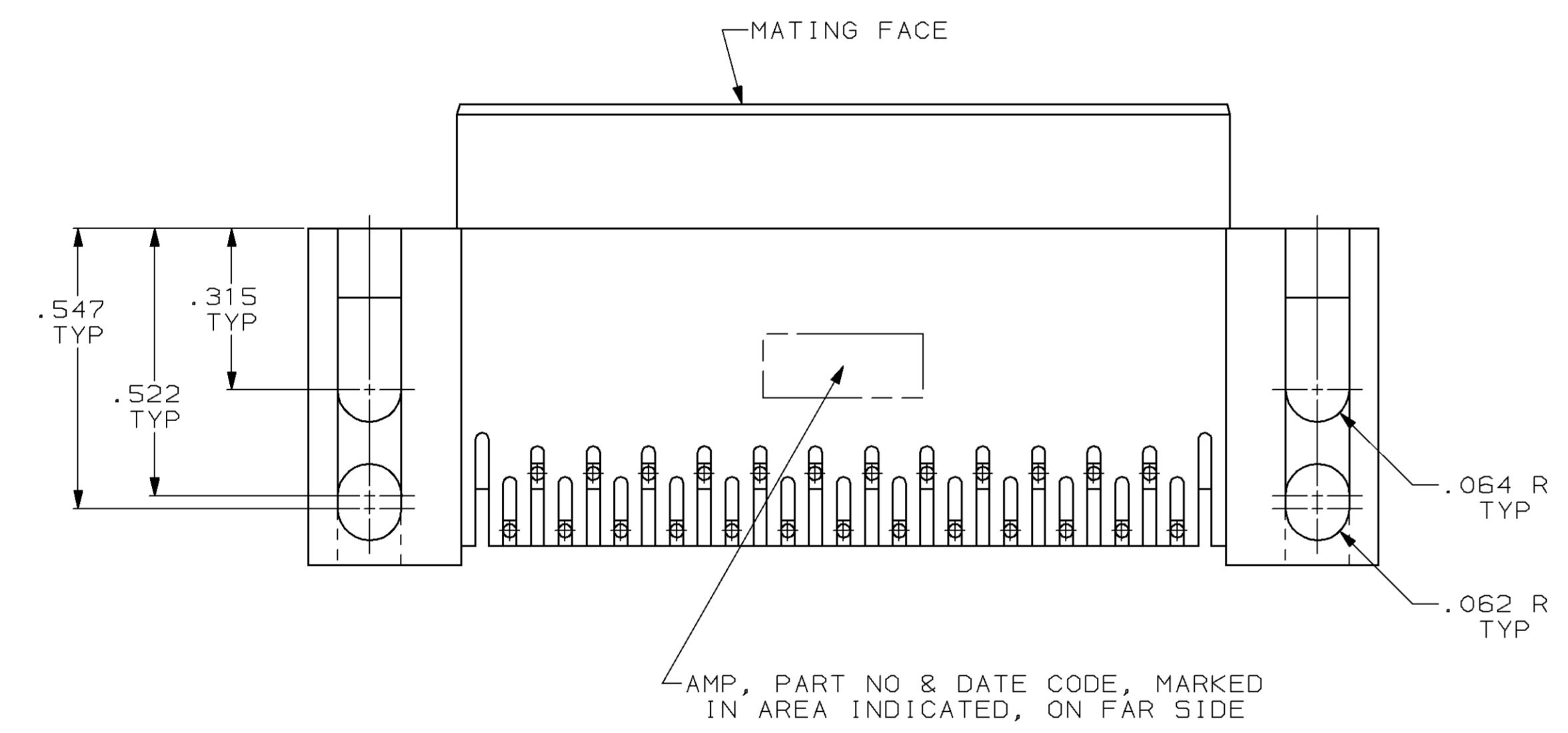
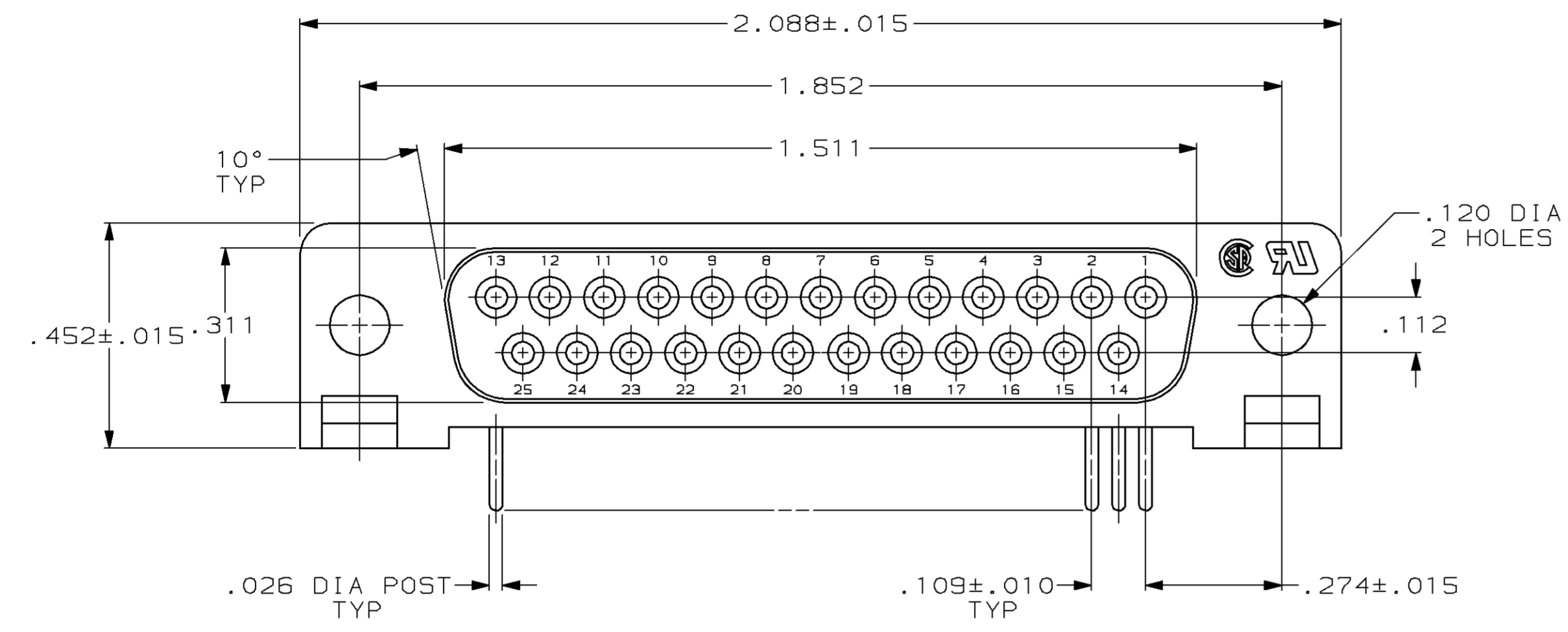
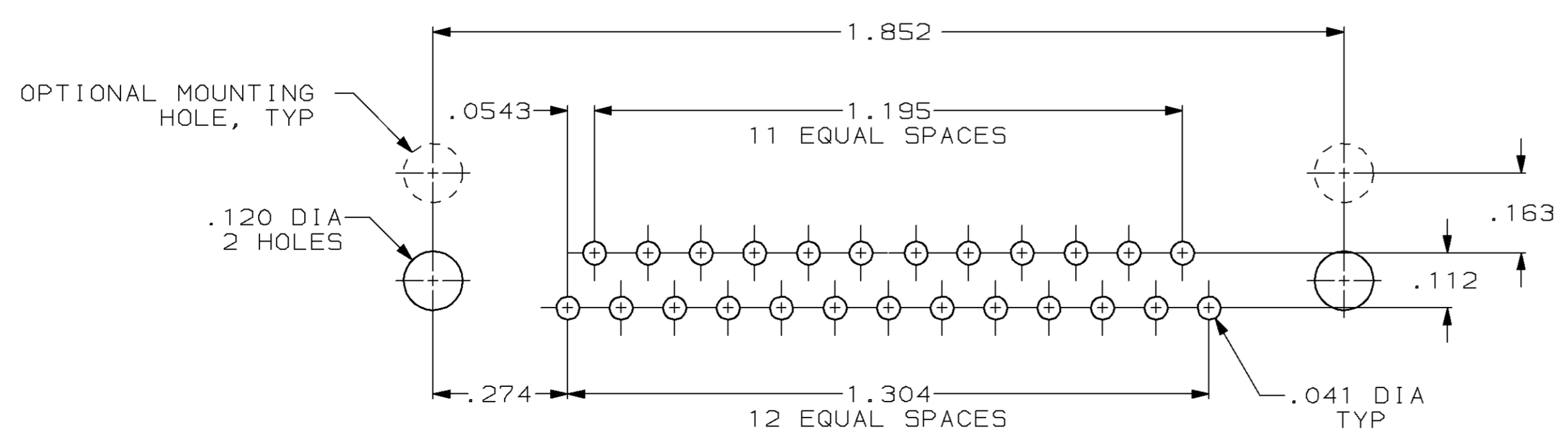


DRAWING MADE IN THIRD ANGLE PROJECTION  
 THIS DRAWING IS UNPUBLISHED. RELEASED FOR PUBLICATION  
 © COPYRIGHT 19 BY AMP INCORPORATED, HARRISBURG, PA. ALL INTERNATIONAL RIGHTS RESERVED. AMP PRODUCTS MAY BE COVERED BY U.S. AND FOREIGN PATENTS AND/OR PATENTS PENDING.

LOC		DIST		REV		REV		REVISIONS		DATE	APPD
BD		P	F	ZONE	LTR			DESCRIPTION			
	77							F REV PER EC 0020-1448-95	10 JAN 96	RLT	
								G SUPSD -1 PER EC 0020-570-96	27 FEB 97	RT	



- 1 FLAME RETARDANT, 94V-0 RATED, GLASS FILLED NYLON OR POLYESTER, COLOR: BLACK.
- 2 PHOS. BRONZE PER QQ-B-750.
- 3 REFER TO APPLICATION SPEC FOR RECOMMENDED P.C. BOARD MOUNTING DIMENSIONS FOR AUTOMATIC INSERTION.
- 4 GOLD PLATING PER MIL-G-45204, TIN PLATING PER MIL-T-10727, NICKEL PLATING PER QQ-N-290.
- 5 PLATED WITH GOLD FLASH FOR LENGTH OF .055 MIN FROM MATING END, WITH POINT OF MEASUREMENT .035 FROM MATING END OF CONTACT, .000100-.000200 TIN OR TIN-LEAD ON SOLDER END, ALL OVER .000050 NICKEL ON ENTIRE CONTACT.
- 6 PLATED WITH .000030 GOLD FOR LENGTH OF .055 MIN FROM MATING END, WITH POINT OF MEASUREMENT .035 FROM MATING END OF CONTACT, .000100-.000200 TIN OR TIN-LEAD ON SOLDER END, ALL OVER .000050 NICKEL ON ENTIRE CONTACT.
- 7 PLATED WITH SOFT GOLD FLASH OVER ENTIRE CONTACT, FOLLOWED BY SELECTIVELY PLATED HARD GOLD, TOTAL GOLD THICKNESS TO BE .000015 MIN FOR LENGTH OF .055 MIN FROM MATING END, WITH POINT OF MEASUREMENT .035 FROM MATING END OF CONTACT, GOLD FLASH ON REMAINDER, ALL OVER .000050 NICKEL ON ENTIRE CONTACT.



RECOMMENDED P.C. BOARD MOUNTING DIMENSIONS 3

OBSOLETE	745085-3
	745085-2
SUPSD BY 745085-2	745085-1
FINISH	PART NUMBER

UNLESS OTHERWISE SPECIFIED DIMENSIONS ARE IN INCHES TOLERANCES ON:		DR 4-7-87 S. WELDON		<b>AMP</b> AMP INCORPORATED Harrisburg, Pa. 17105		
2 PL DEC ±.005		CHK 4-13-87 C. RICHARD				
3 PL DEC ±.005		APPD 4-27-87 B. TAYLOR		NAME RECEPTACLE ASSY, SIZE 3, 25 POSN, RIGHT ANGLE, .478 SERIES, .026 DIA POSTS, AMPLIMITE® HD-20		
ANGLES ±2°		APPD 5-5-87 J. ASSINI				
MATERIAL	MOLDED PARTS: 1	PRODUCT SPEC	108-40005	SIZE	FSCM NO	DRAWING NO
CONTACTS: 2	CONTACTS: 3	APPLICATION SPEC	114-40015	<b>D</b>	00779	745085
FINISH: 4	CONTACTS: SEE TABLE	WEIGHT	-	SCALE	4:1	SHEET 1 of 1

单击下面可查看定价，库存，交付和生命周期等信息

[>>TE Connectivity\(泰科\)](#)