

4

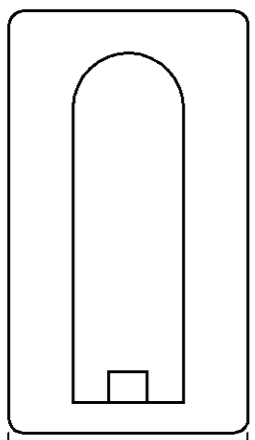
3

2

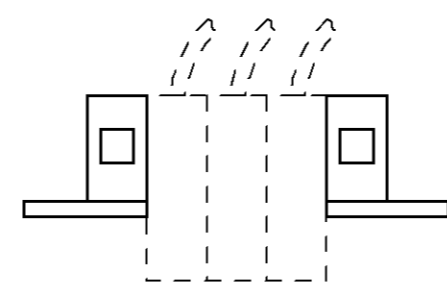
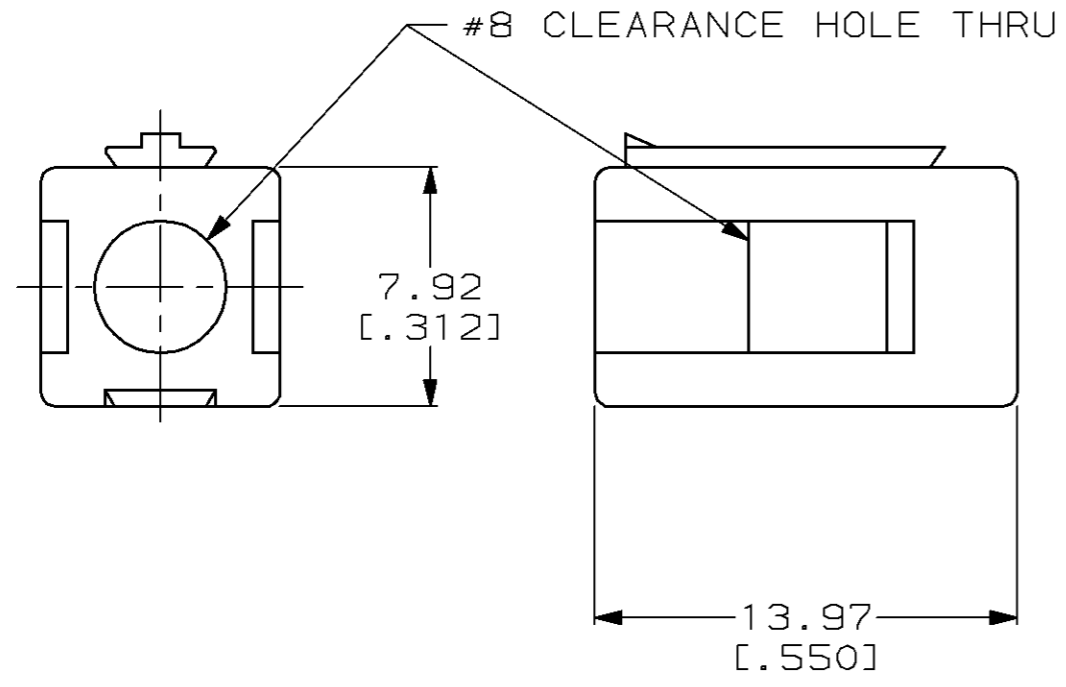
1

THIS DRAWING IS UNPUBLISHED. RELEASED FOR PUBLICATION ,19 .
 © COPYRIGHT 19 BY AMP INCORPORATED. ALL RIGHTS RESERVED.

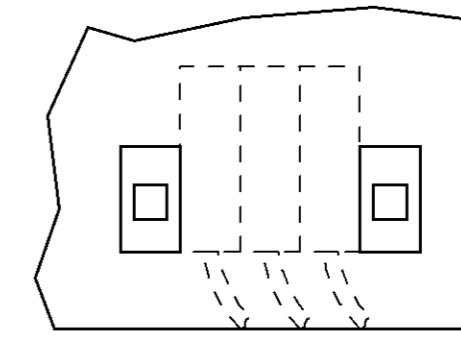
LOC	DIST	REVISIONS			
P	LTR	DESCRIPTION	DATE	DWN	APVD
FT	60	E	REDRAWN & REV PER EC 0320-74-97	10 APR 97	-



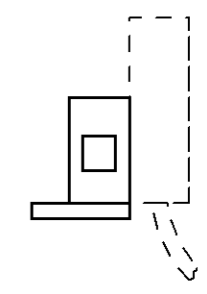
7.92
[.312]



TYP THRU PANEL HOLE PATTERN



TYP SURFACE MTG PATTERN



TYP VERTICAL MOUNT

54315-1
PART NUMBER

THIS DRAWING IS A CONTROLLED DOCUMENT.		DWN M. BINNER 10 APR 97	AMP Incorporated Harrisburg, PA 17105-3608	
DIMENSIONS: mm [INCHES]		CHK R. STONE 24 APR 97		
TOLERANCES UNLESS OTHERWISE SPECIFIED:		APVD M. MCALONIS 22 MAY 97		
0 PLC ±- 1 PLC ±- 2 PLC ±0.38 [.015] 3 PLC ±- 4 PLC ±- ANGLES ±-		NAME MOUNTING ADAPTER, SERIES 1, POWER LOCK		
MATERIAL POLYCARBONATE, RED		FINISH -	PRODUCT SPEC 108-11026	SIZE A3
			APPLICATION SPEC 114-6032	CAGE CODE 00779
			WEIGHT -	DRAWING NO C-54315
			CUSTOMER DRAWING	RESTRICTED TO -
			SCALE 4:1	SHEET 1 OF 1
				REV E

单击下面可查看定价，库存，交付和生命周期等信息

[>>TE Connectivity\(泰科\)](#)