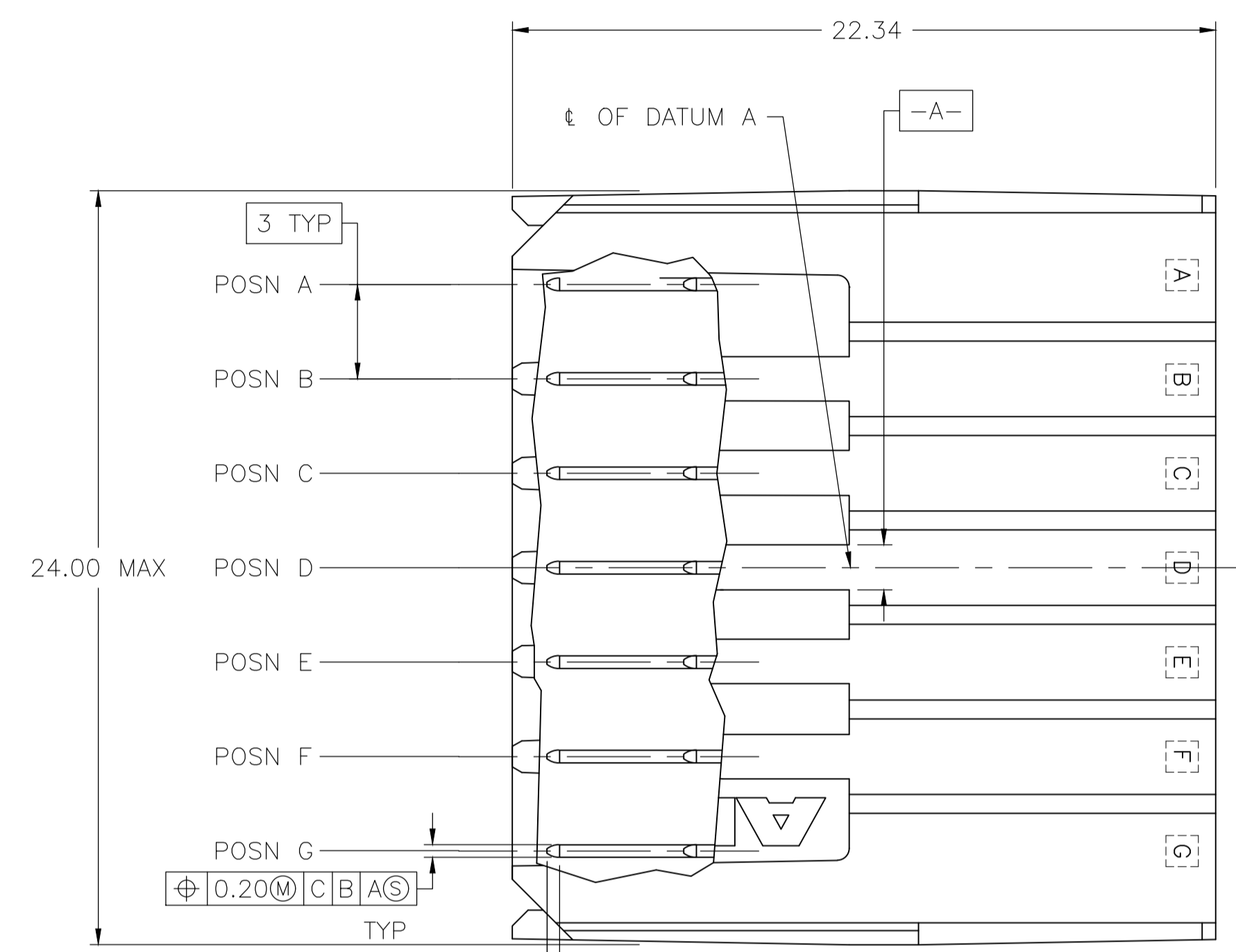
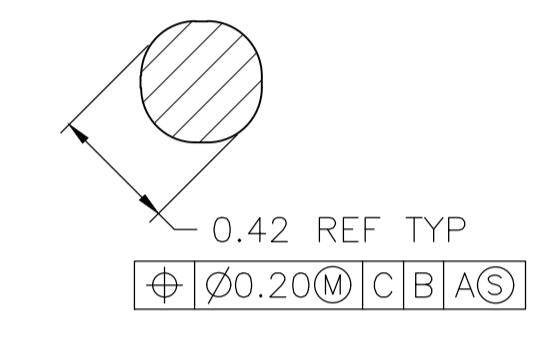


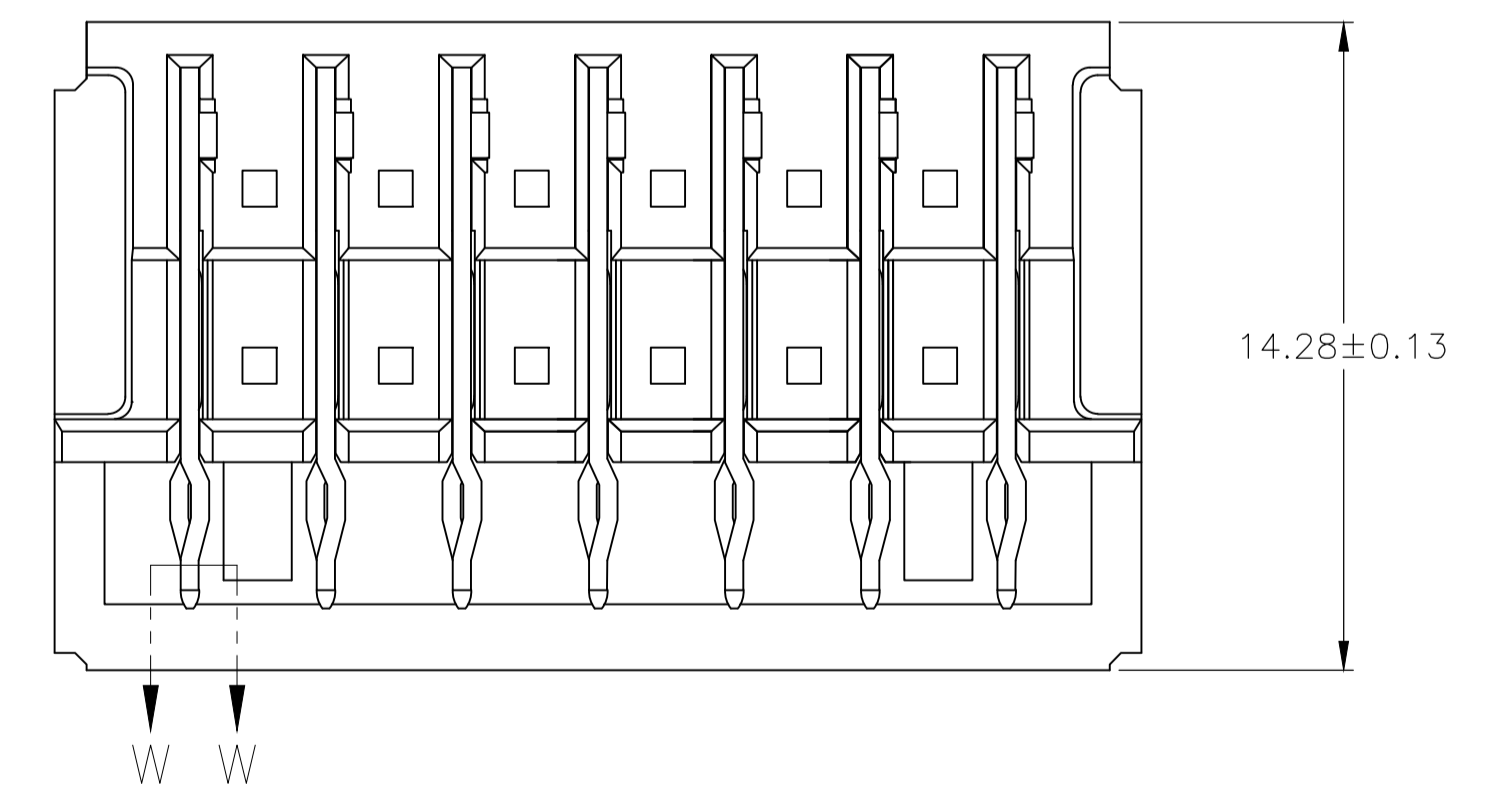
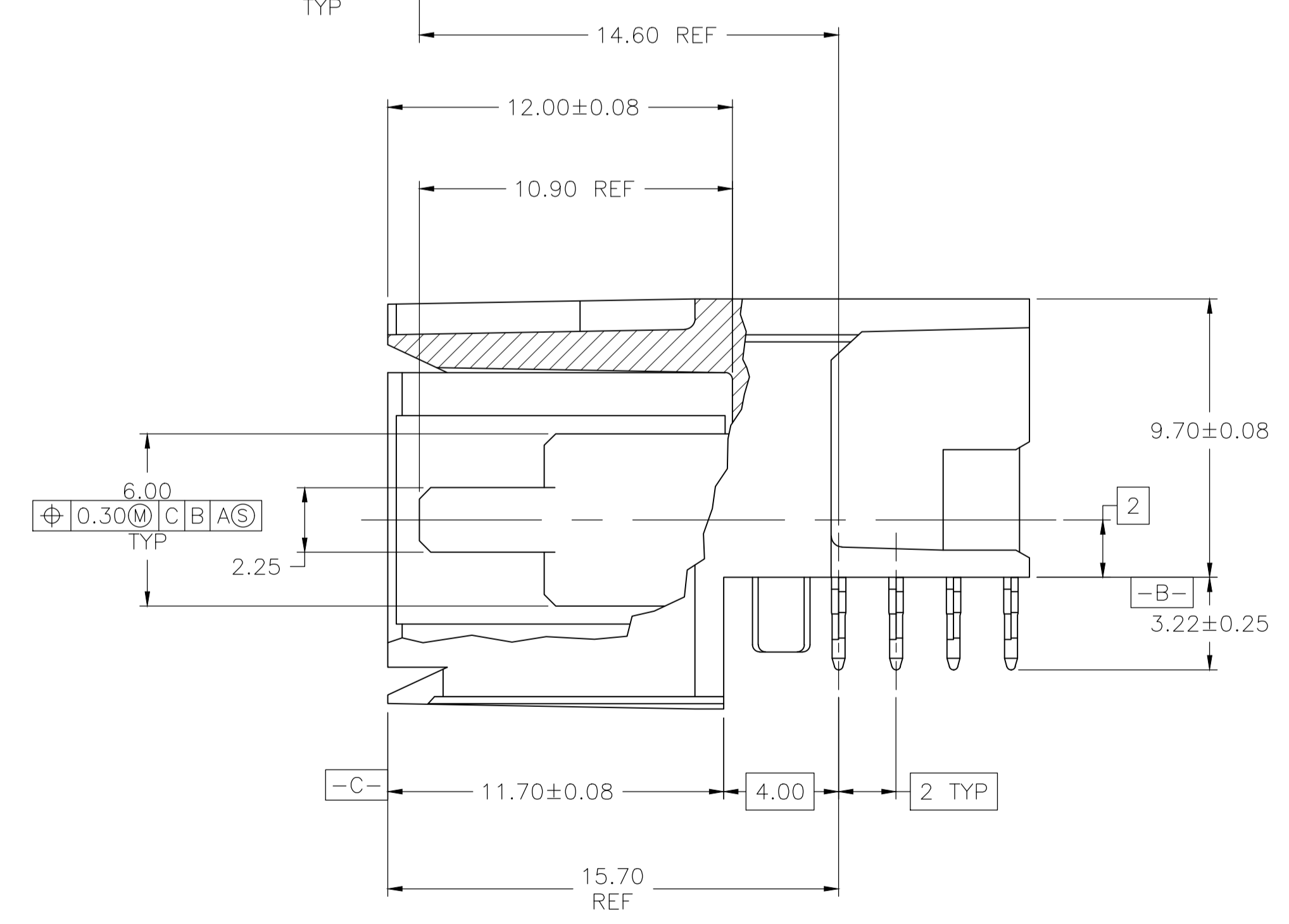
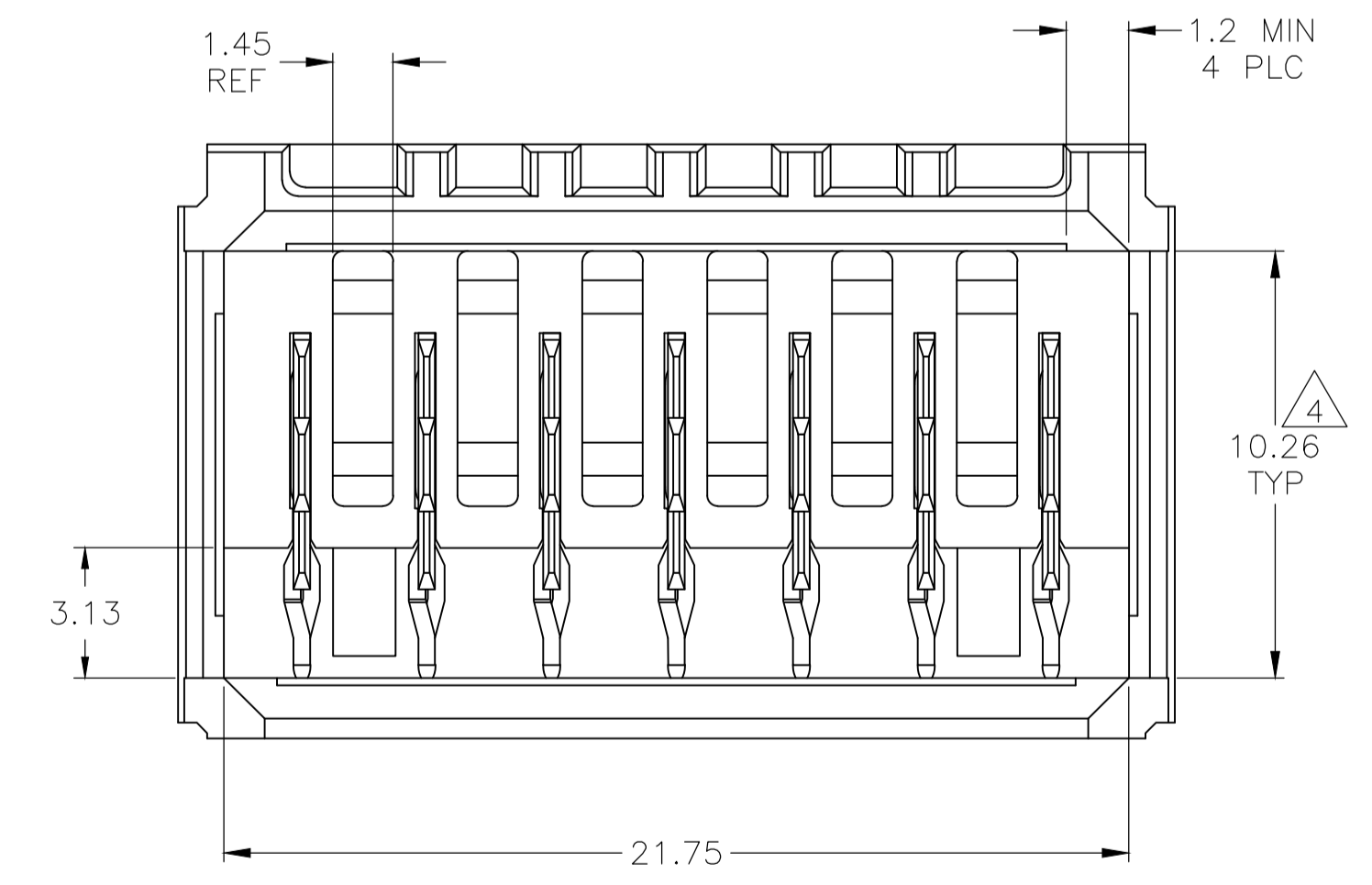
RECOMMENDED PCB HOLE LAYOUT



- 1 MATERIAL: HOUSING: POLYESTER, GRAY. UL 94V-0. CONTACT: HIGH CURRENT COPPER ALLOY.
- 2 FINISH: IN ACCORDANCE WITH PRODUCT SPECIFICATION 108-1651, GOLD PLATING OR EQUIVALENT PLATING ON PRODUCT CONTACT MATING AREA, AND MATTE TIN PLATING ON COMPLIANT PIN AREA, ALL OVER MATTE NICKEL UNDERPLATED. DETAIL PLEASE REFER TO PRODUCT SPECIFICATION 108-1651.
- 3 FINISH: CONTACT LUBRICATION WITH BELLCORE APPROVED LUBRICANT. TECHNICAL REFERENCE: GR-1217-CORE, ISSUE 1, NOVEMBER 1995.
- 4 10.26±0.13 DIMENSION APPLIES IN THIS AREA.
- 5 REFERENCE APPLICATION SPEC 114-1103 FOR RECOMMENDED PLATED THRU HOLE DIAMETER AND PLATING THICKNESSES.
- 6. CURRENT RATING 16A/CONTACT PER PRODUCT SPEC 108-1651.



SECTION W-W  
SCALE 40:1



F,G	C,D,E	A,B	7	120957-3
A,D,G	B,C,E,F	-	7	120957-2
A,B,C,D,E,F,G	-	-	7	120957-1
POSITIONS LOADED WITH 10.90 CONTACTS (2)	POSITIONS LOADED WITH 7.63 CONTACTS (3)	POSITIONS LOADED WITH 9.30 CONTACTS (4)	NO OF LOADED POSITIONS	PART NUMBER

THIS DRAWING IS A CONTROLLED DOCUMENT.		DIN B CARBO 15OCT04	Tyco Electronics Corporation	
DIMENSIONS: mm		CIK R PATTERSON 15OCT04	Harrisburg, Pa 17105-3608	
TOLERANCES UNLESS OTHERWISE SPECIFIED:		APVD R PATTERSON 15OCT04	NAME	
0 PLC ± -	1 PLC ± -	PRODUCT SPEC		
2 PLC ± 0.13	3 PLC ± -	108-1651		
4 PLC ± -	ANGLES ± -	APPLICATION SPEC		
MATERIAL		SIZE	CAGE CODE	DRAWING NO
FINISH		A1	00779	C=120957
CUSTOMER DRAWING		SCALE	SHEET	REV
		6:1	1 of 1	G1

单击下面可查看定价，库存，交付和生命周期等信息

[>>TE Connectivity\(泰科\)](#)