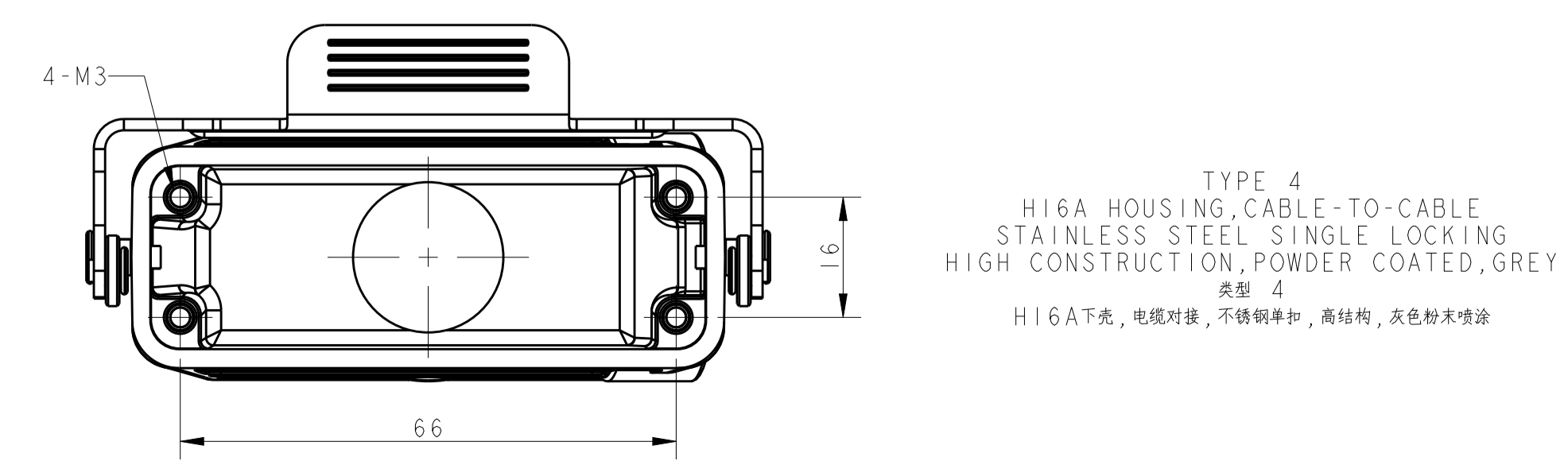
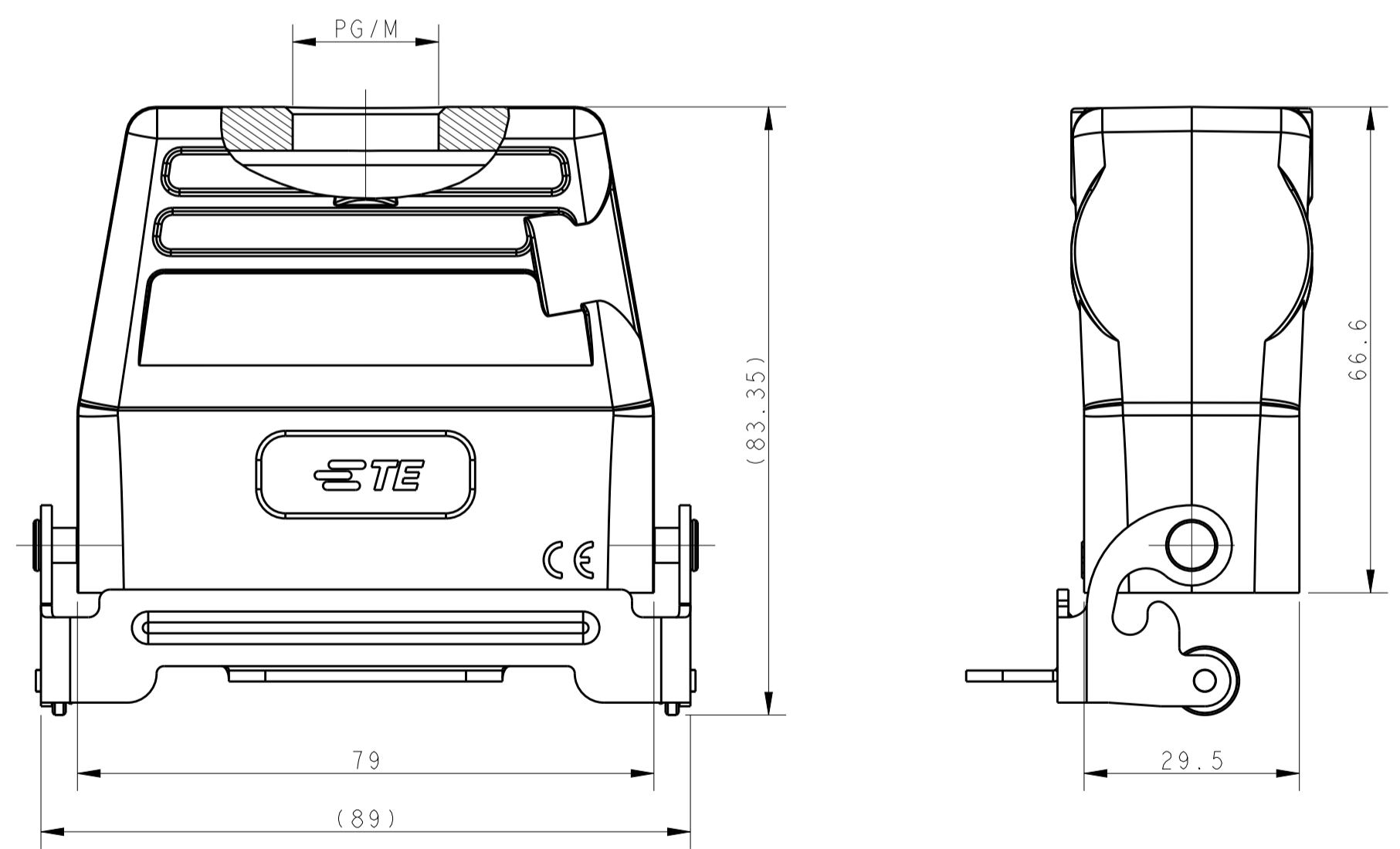
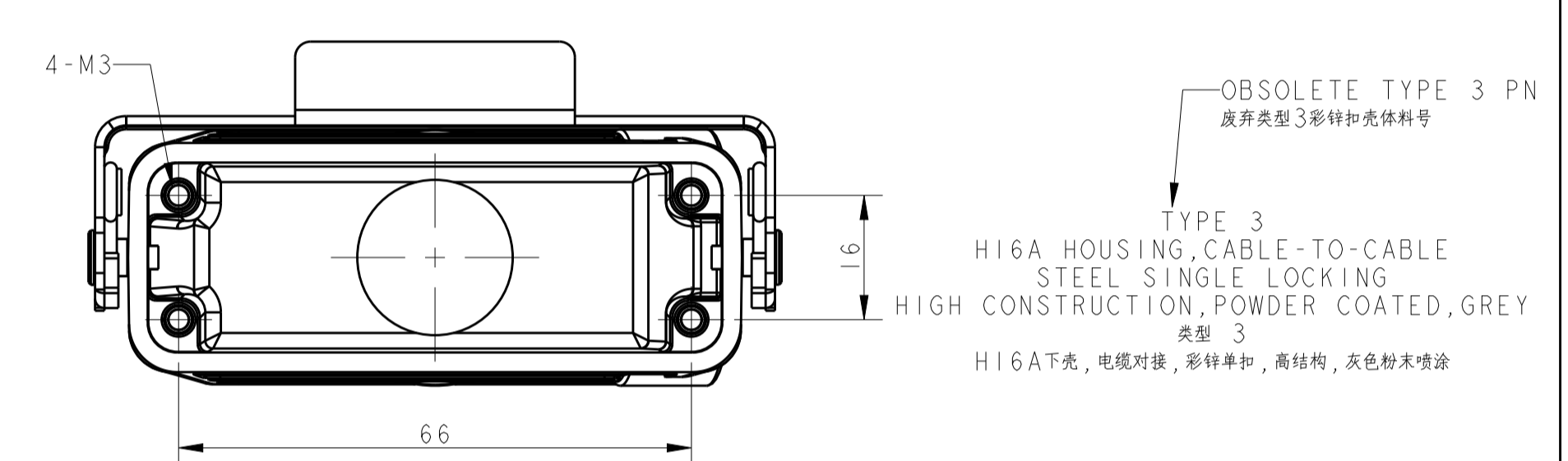
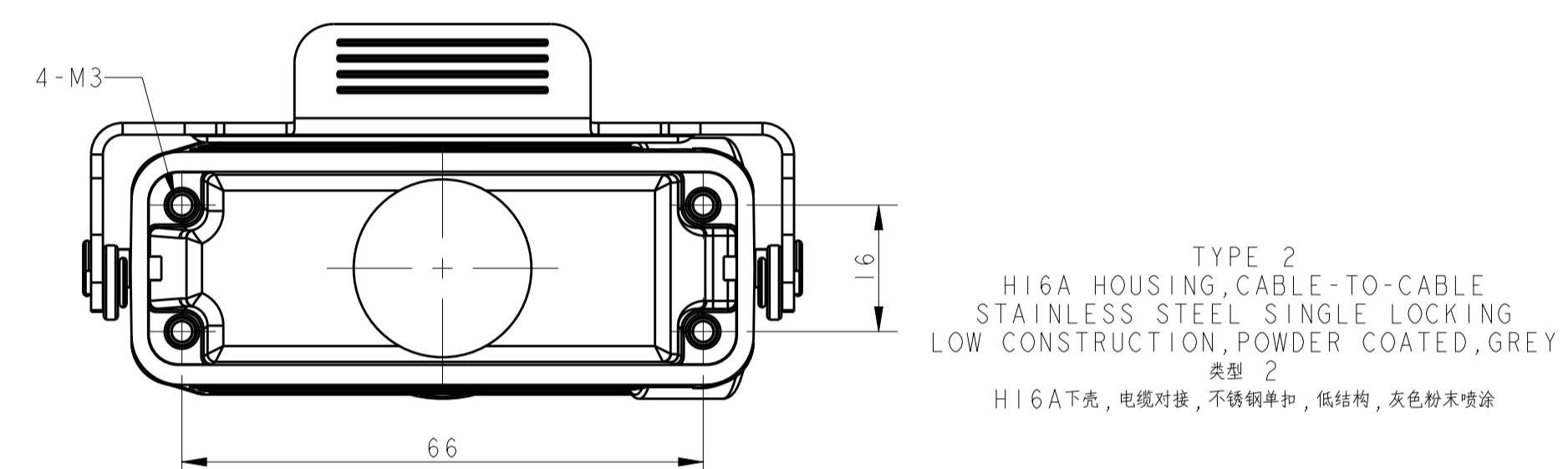
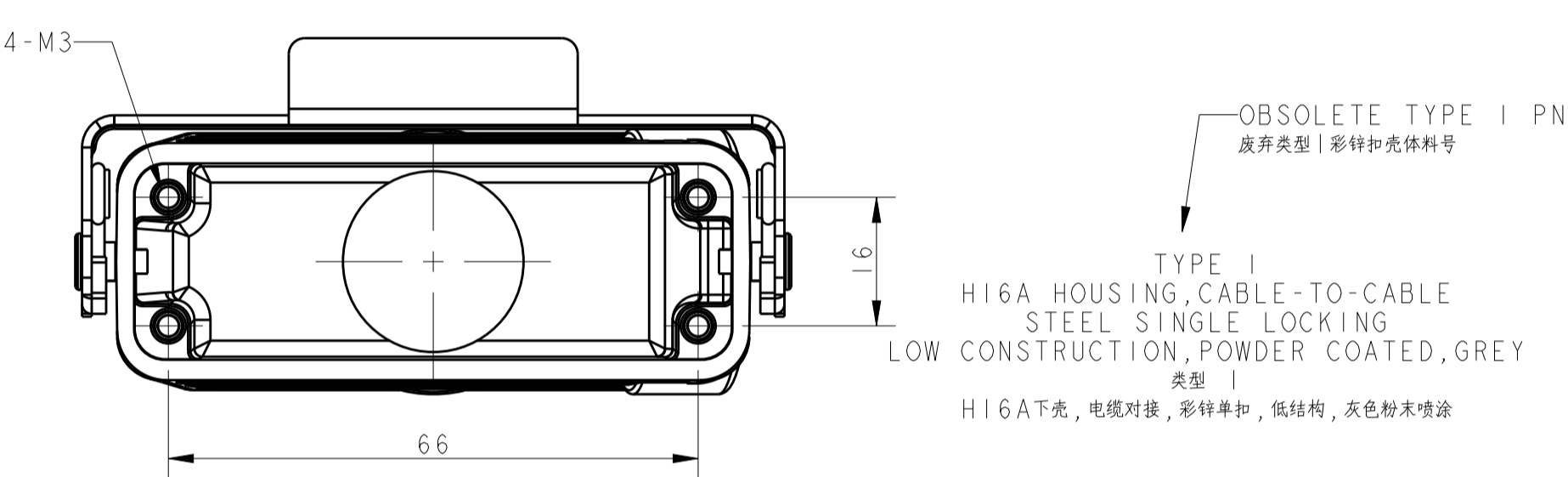
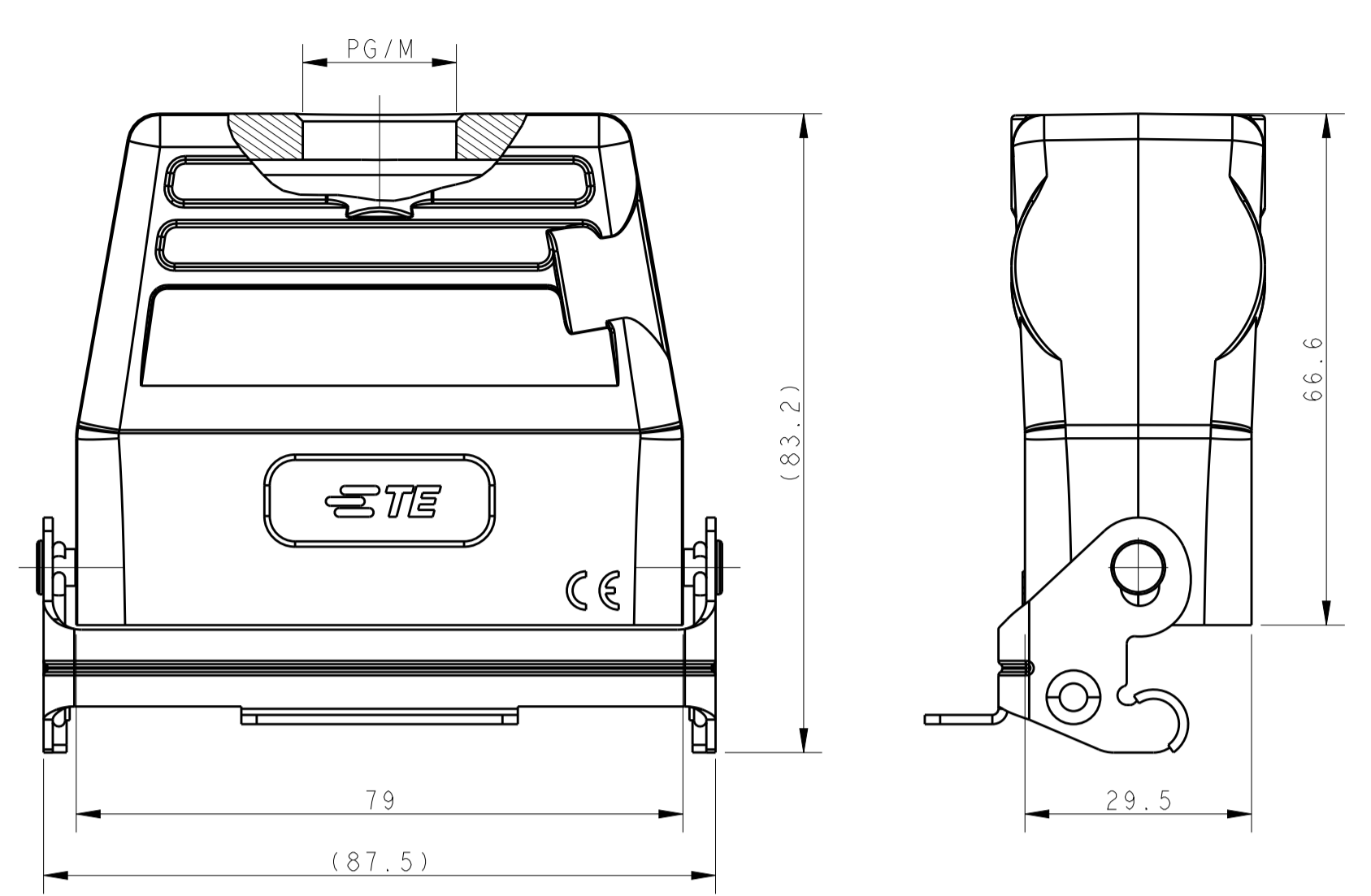
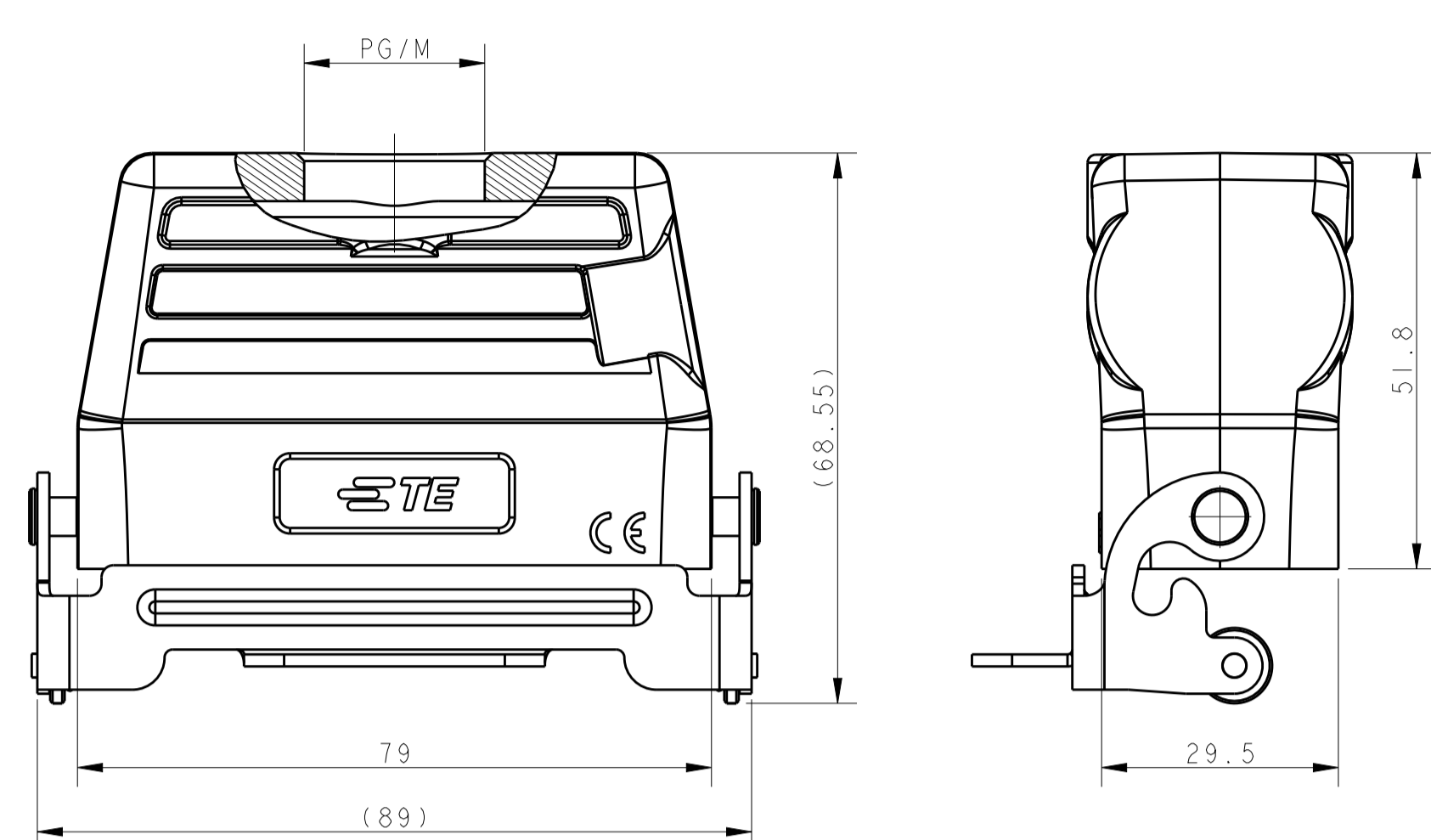
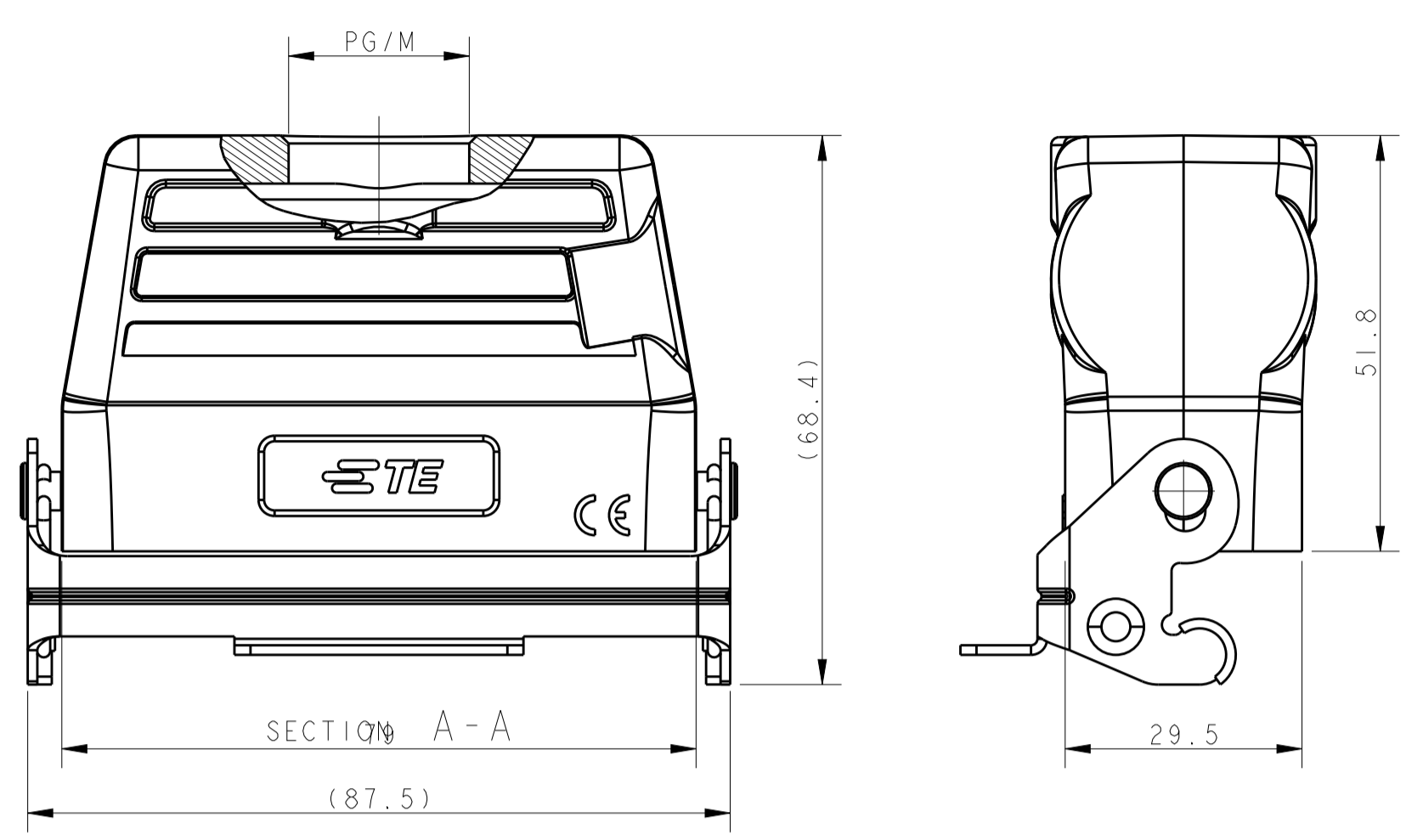


REVISIONS				
P.	LTN	DESCRIPTION	DATE	OWN APVD
A		INITIAL RELEASE	08MAY2015	DL CW
A1		ECR-16-018055	21DEC2016	DL CW
B		ECR-20-009510	28DEC2020	BS CW



OBSOLETE	PART NUMBER	PART DESCRIPTION	PG/M THREAD	TYPE
OBSOLETE	T1739160116-000	HI6A-TBF-PG16	PG16	TYPE 1
OBSOLETE	T1739160120-000	HI6A-TBF-M20	M20	
OBSOLETE	T1739160121-000	HI6A-TBF-PG21	PG21	
OBSOLETE	T1739160125-000	HI6A-TBF-M25	M25	
	T1739161116-000	HI6A-TBFS-PG16	PG16	TYPE 2
	T1739161120-000	HI6A-TBFS-M20	M20	
	T1739161121-000	HI6A-TBFS-PG21	PG21	
	T1739161125-000	HI6A-TBFS-M25	M25	
OBSOLETE	T1779160116-000	HI6A-TBFH-PG16	PG16	TYPE 3
OBSOLETE	T1779160120-000	HI6A-TBFH-M20	M20	
OBSOLETE	T1779160121-000	HI6A-TBFH-PG21	PG21	
OBSOLETE	T1779160125-000	HI6A-TBFH-M25	M25	
	T1779161116-000	HI6A-TBFHS-PG16	PG16	TYPE 4
	T1779161120-000	HI6A-TBFHS-M20	M20	
	T1779161121-000	HI6A-TBFHS-PG21	PG21	
	T1779161125-000	HI6A-TBFHS-M25	M25	

NOTES:  
 1. TECHNICAL CHARACTERISTICS:  
 BODY MATERIAL: DIE CAST ALUMINIUM ALLOY  
 SURFACE TREATMENT: POWDER-COATED, GRAY  
 DEGREE OF PROTECTION: IP65 (MATED)

注释:  
 1. 技术参数:  
 主体材料: 铝合金  
 表面处理: 粉末喷涂, 灰色  
 防护等级: IP65(配合)

THIS DRAWING IS A CONTROLLED DOCUMENT.

DIMENSIONS:	TOLERANCES UNLESS OTHERWISE SPECIFIED:	OWN: DAVID LI 08MAY2015	CHK: CHRIS WANG 08MAY2015	APVD: XU XIANG 08MAY2015	NAME: XU XIANG
mm	0 PLC ± 2 PLC ± 5 PLC ± 4 PLC ±	PRODUCT SPEC	108-137010	APPLICATION SPEC	SIZE: A1
MATERIAL:	FINISH:	WEIGHT:	114-137010	CUSTOMER DRAWING	SCALE: 5:4

TE Connectivity  
**STE**  
 HI6A-TBF\*/TBFH\*-PG/M

RESTRICTED TO SHEET 1 OF 1 REV B

单击下面可查看定价，库存，交付和生命周期等信息

[>>TE Connectivity\(泰科\)](#)