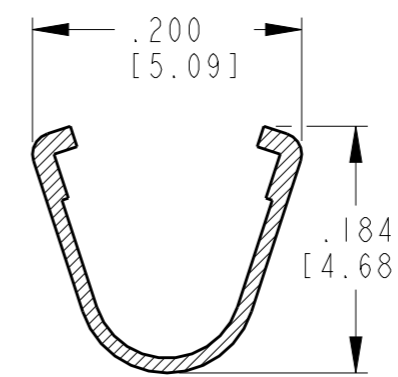
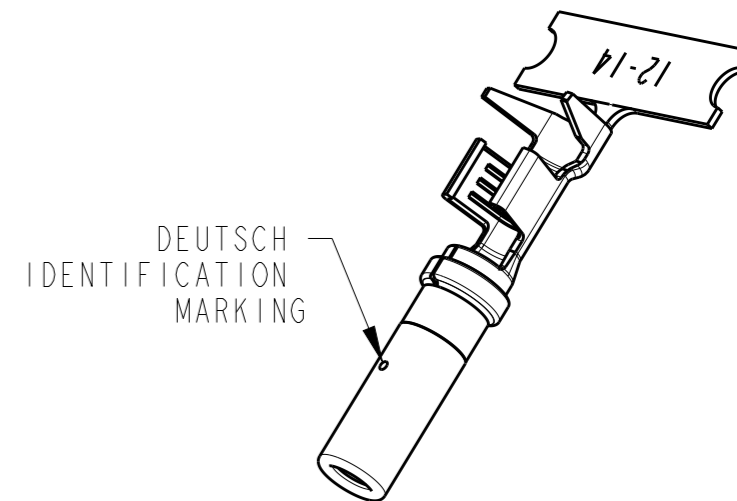
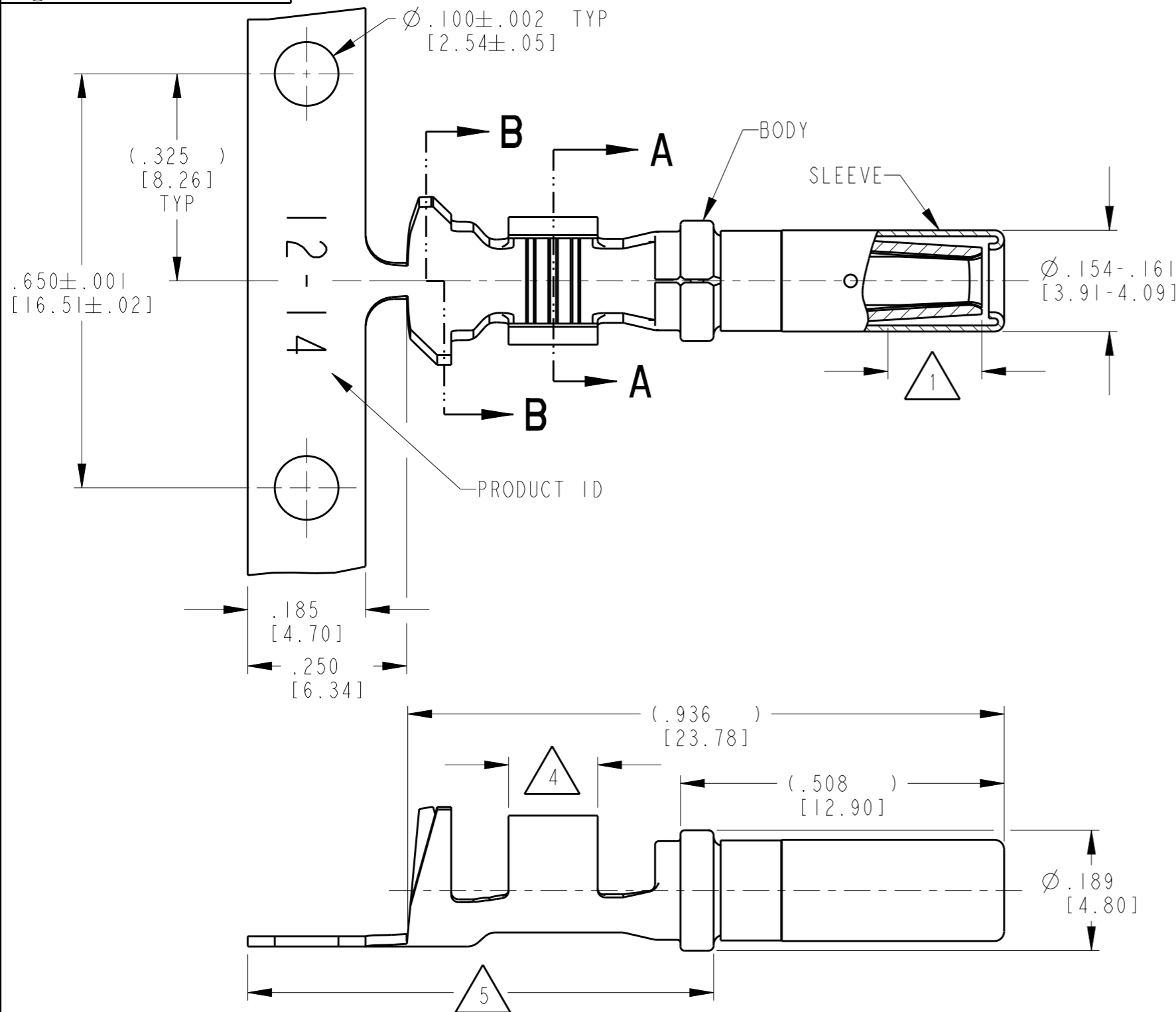
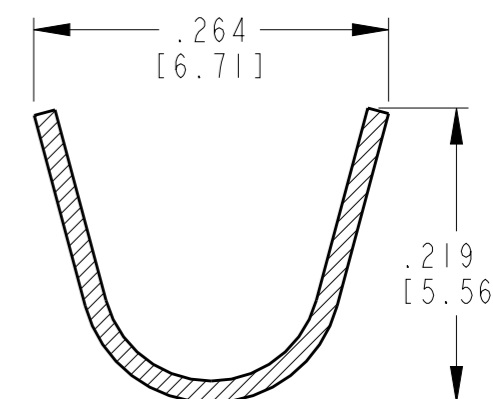


P	LTR	DESCRIPTION	DATE	DWN	APVD
	C	REVISED PER EO PI9555	7-11-07		RDR
	D	REVISED PER PCN E-20-009639	10JUL2020	DM	IG



**SECTION A-A**  
CONDUCTOR WINGS



**SECTION B-B**  
INSULATION WINGS

- 5 TIN PLATING MAY BE IN THIS REGION.
- 4 TIN PLATED REGION.
- 3 MATERIAL: .016 [0.41] THICK COPPER ALLOY.
- 2. WIRE RANGE: 14 AWG TO 12 AWG [2.0-4.0mm<sup>2</sup>]  
INSULATION RANGE:  $\varnothing .113 - .176$  [2.87-4.47]
- 1 GOLD PLATED REGION.

NOTES: UNLESS OTHERWISE SPECIFIED

TE INTERNAL PN	DEUTSCH PN	PLATING
1062-12-0144	1062-12-0144	Selective Au, Ni/Cu overall, Sn/Ni/Cu Wire Barrel
1062-12-0166	1062-12-0166	Selective Ni, Ni/Cu overall, Sn/Ni/Cu Wire Barrel

THIS DRAWING IS A CONTROLLED DOCUMENT.		DWN D. MEYER 14NOV2000														
DIMENSIONS: INCH [mm]		CHK B. BYFORD 11JUL2007														
TOLERANCES UNLESS OTHERWISE SPECIFIED:		APVD R. REED 11JUL2007	NAME STAMPED CONTACT SOCKET SIZE 12													
<table border="1"> <tr> <td>0 PLC</td> <td>±</td> </tr> <tr> <td>1 PLC</td> <td>±</td> </tr> <tr> <td>2 PLC</td> <td>±</td> </tr> <tr> <td>3 PLC</td> <td>±.025 [0.64]</td> </tr> <tr> <td>4 PLC</td> <td>±</td> </tr> <tr> <td>ANGLES</td> <td>±</td> </tr> </table>		0 PLC	±	1 PLC	±	2 PLC	±	3 PLC	±.025 [0.64]	4 PLC	±	ANGLES	±	PRODUCT SPEC 108-151000	SIZE A3	
0 PLC	±															
1 PLC	±															
2 PLC	±															
3 PLC	±.025 [0.64]															
4 PLC	±															
ANGLES	±															
MATERIAL 3		APPLICATION SPEC 114-151002	CAGE CODE 4AFU8	DRAWING NO G-1062-12-01XX												
FINISH SEE TABLE		WEIGHT 1.0 g	RESTRICTED TO -	SCALE 5:1												
		CUSTOMER DRAWING	SHEET 1 OF 1	REV D												

单击下面可查看定价，库存，交付和生命周期等信息

[>>TE Connectivity\(泰科\)](#)