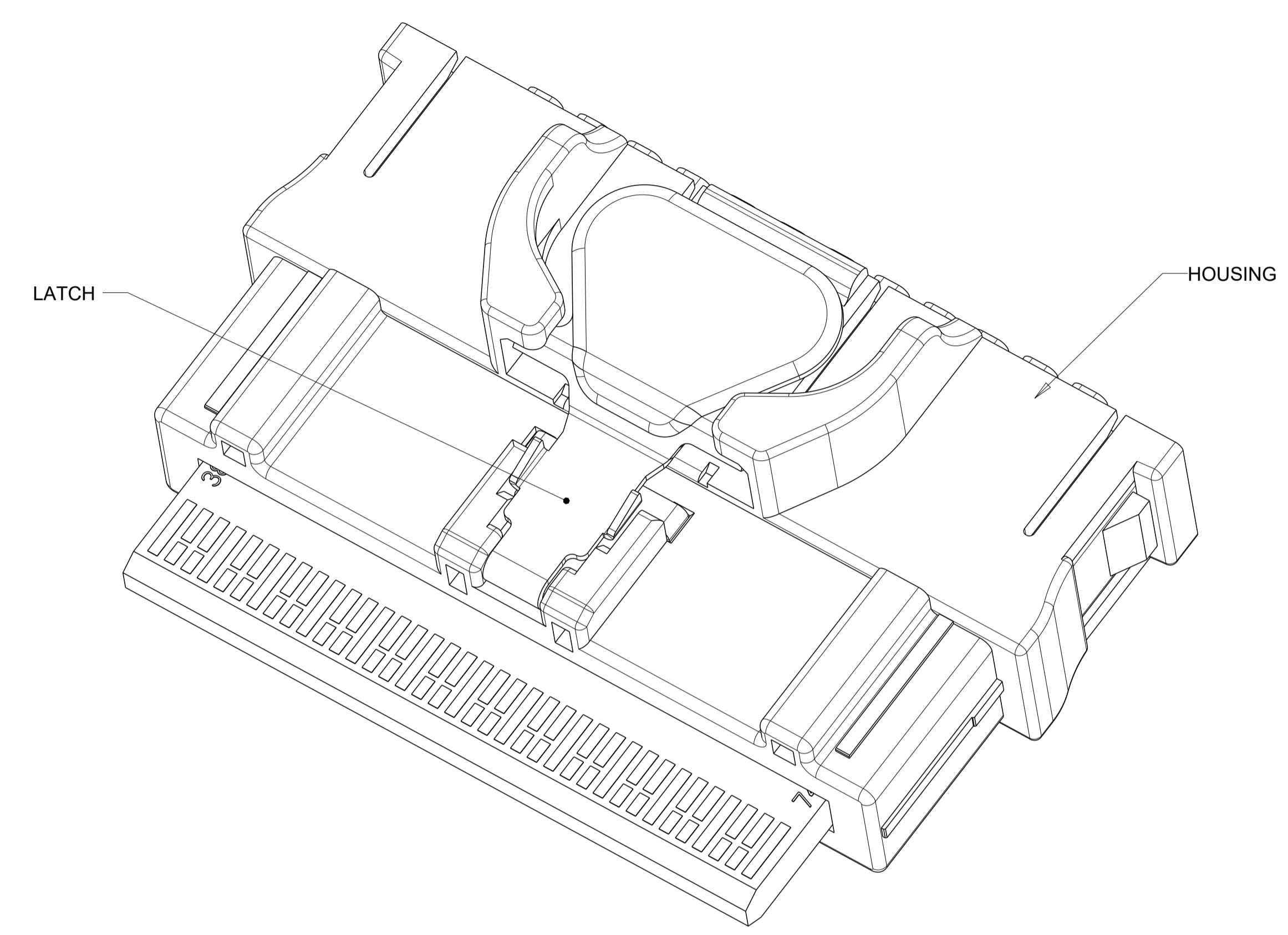
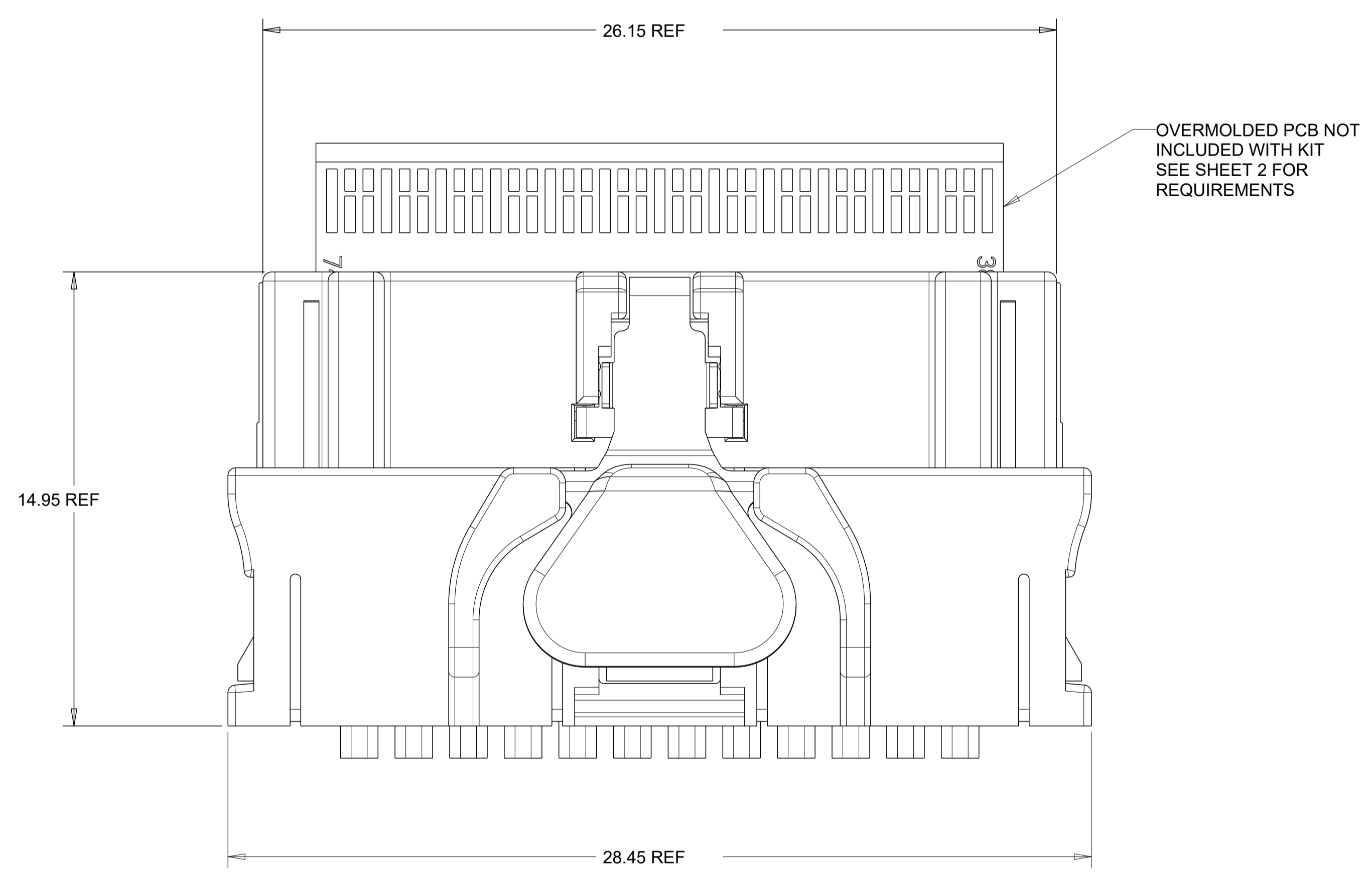
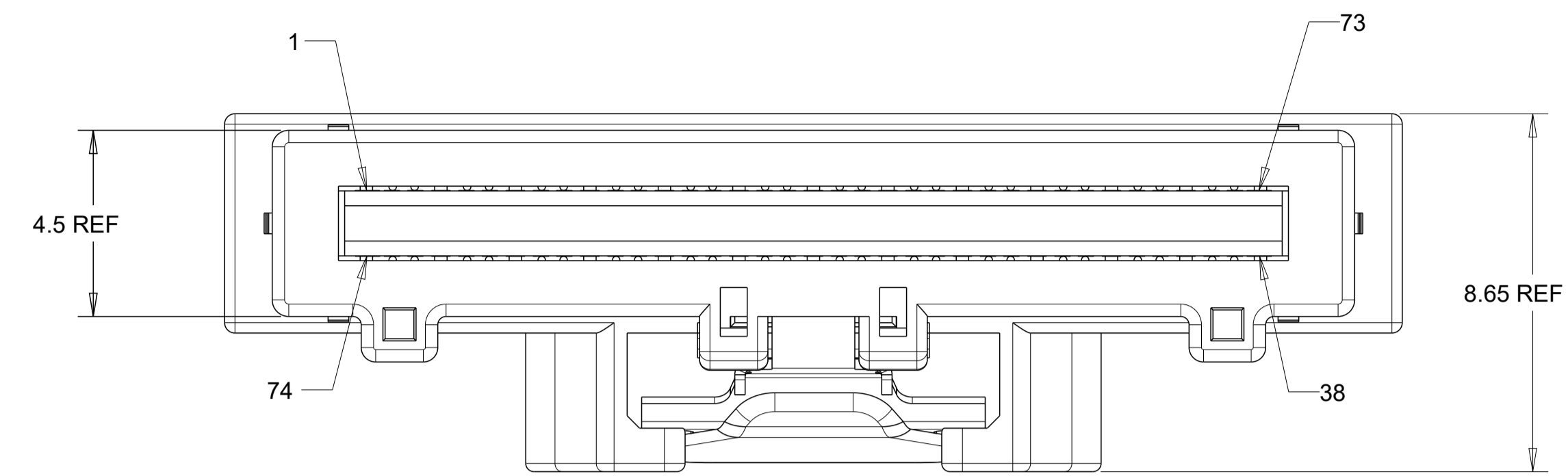


REVISIONS					
P	LTR	DESCRIPTION	DATE	DWN	APVD
A		RELEASED	08JAN2018	TS	GG
B		ECO-18-013511	19JULY2018	AH	DZ

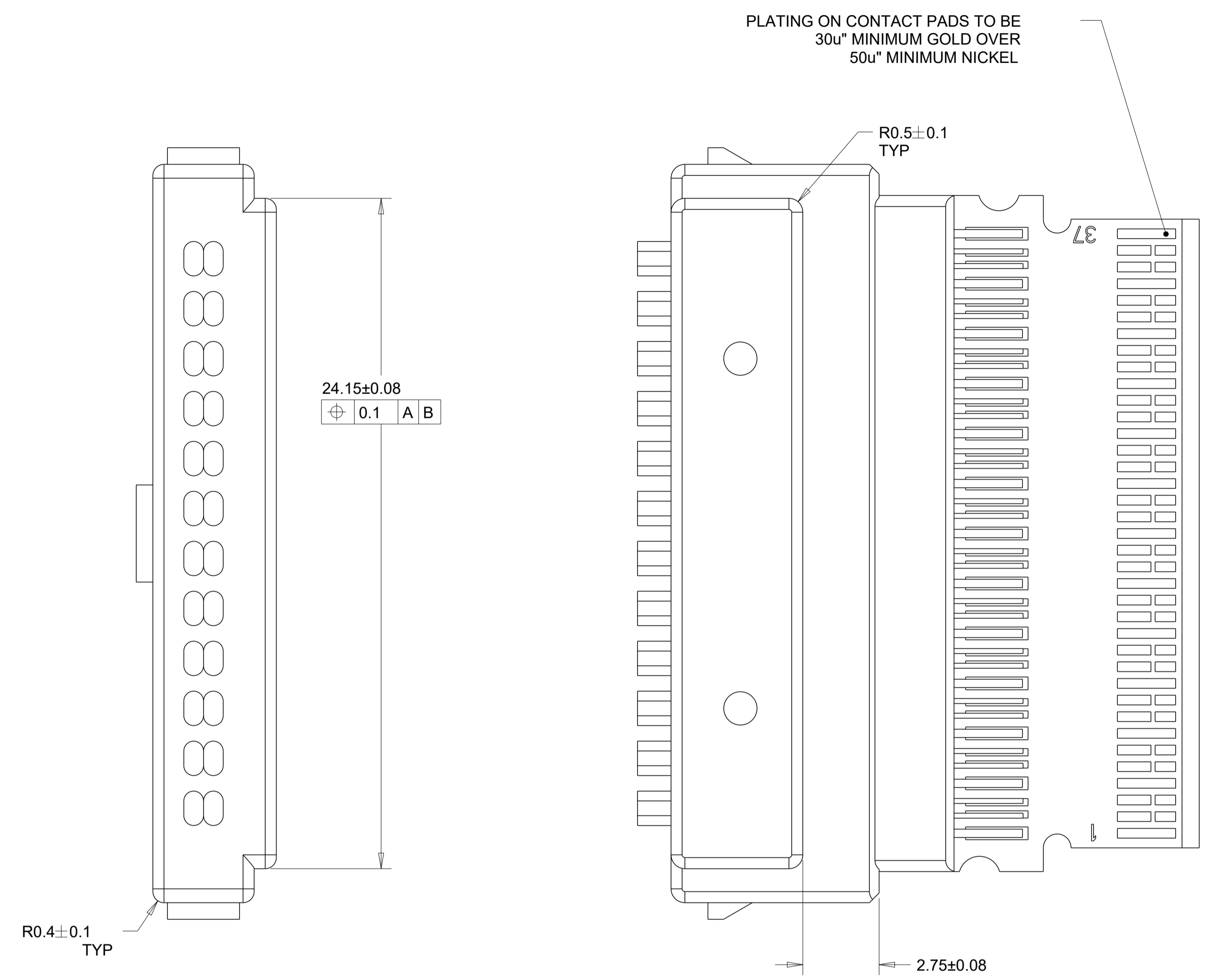
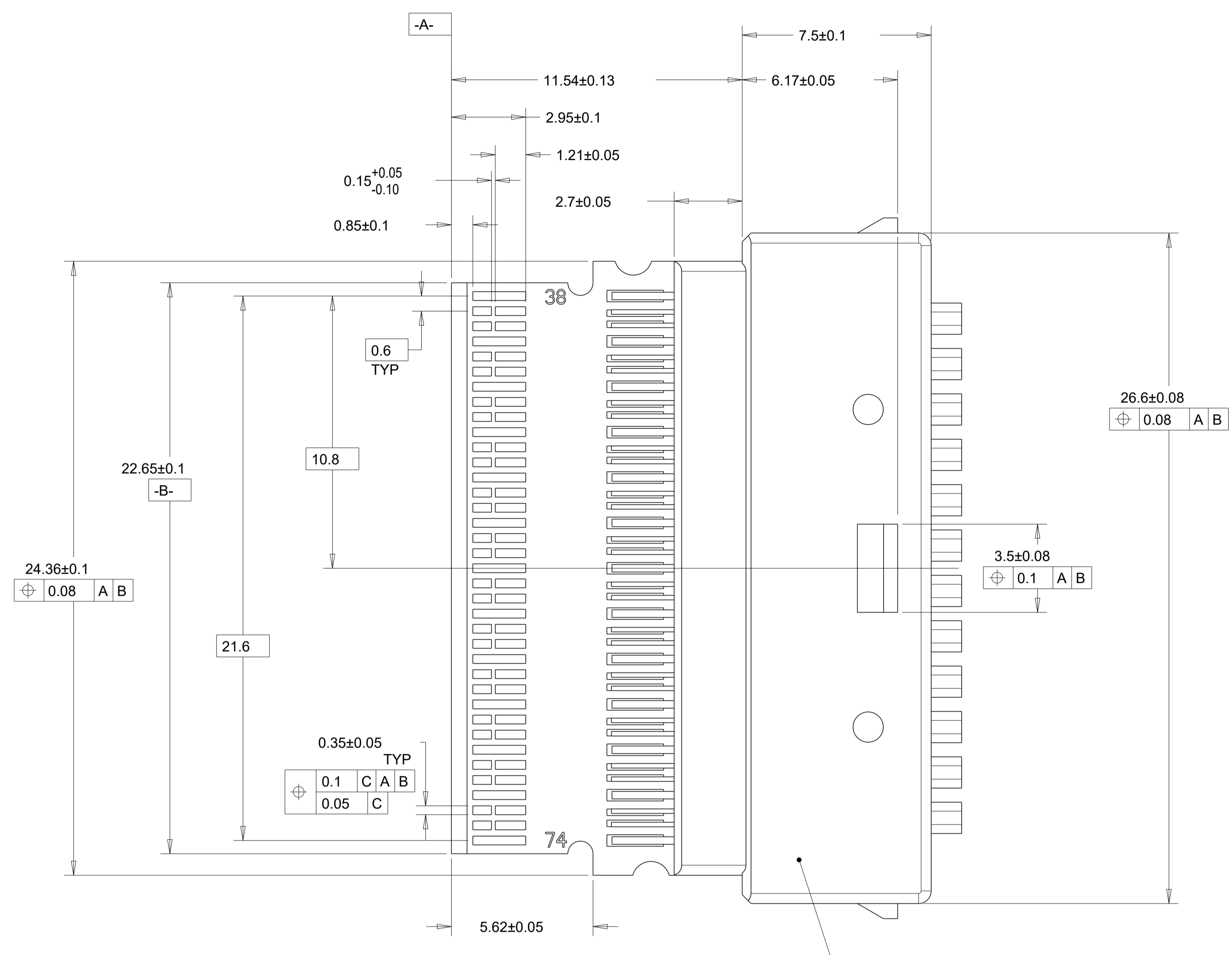


1. ALL MATERIALS, COMPONENTS AND PROCESS SHALL COMPLY WITH TEC-138-702. CONTAINS NO BANNED OR RESTRICTED SUBSTANCES.
2. NO REACH SVHC SHALL BE CONTAINED ABOVE THE THRESHOLD AS DEFINED IN REACH SVHC COMPLIANCE DEFINITION IN ANNEX A OF TEC-138-702.
3. SEE SHEET 2 FOR OVERMOLDED PCB REQUIREMENTS.

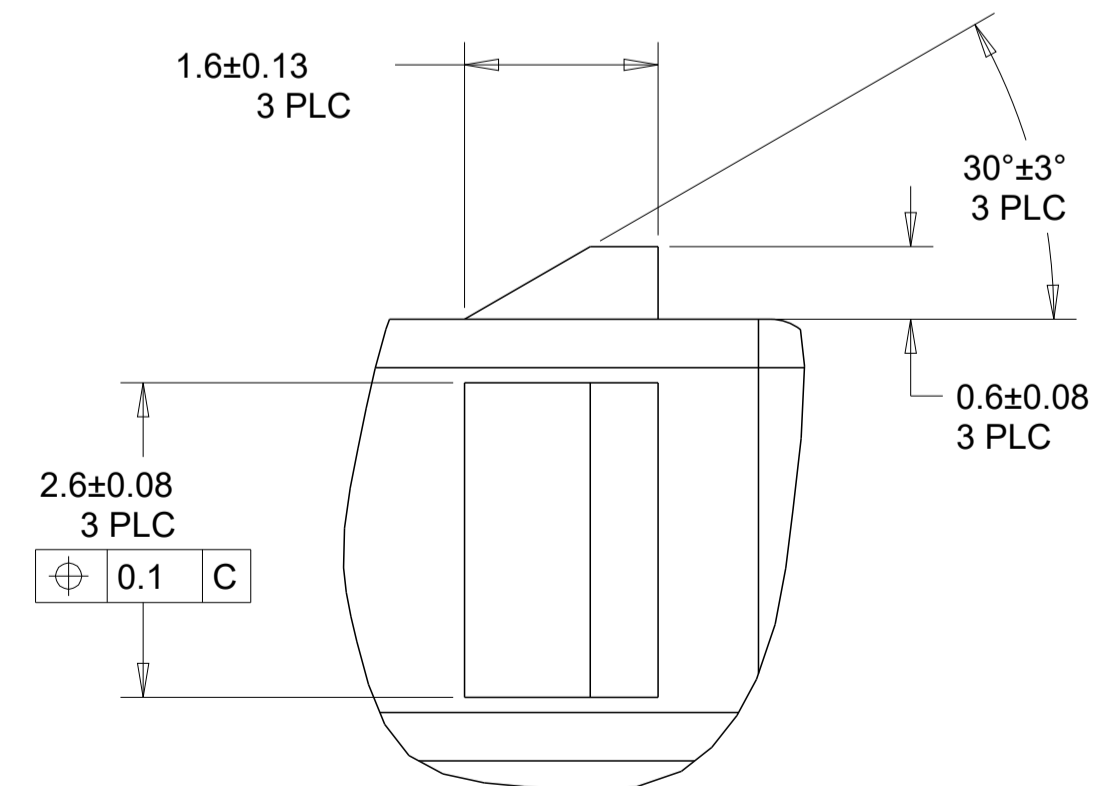
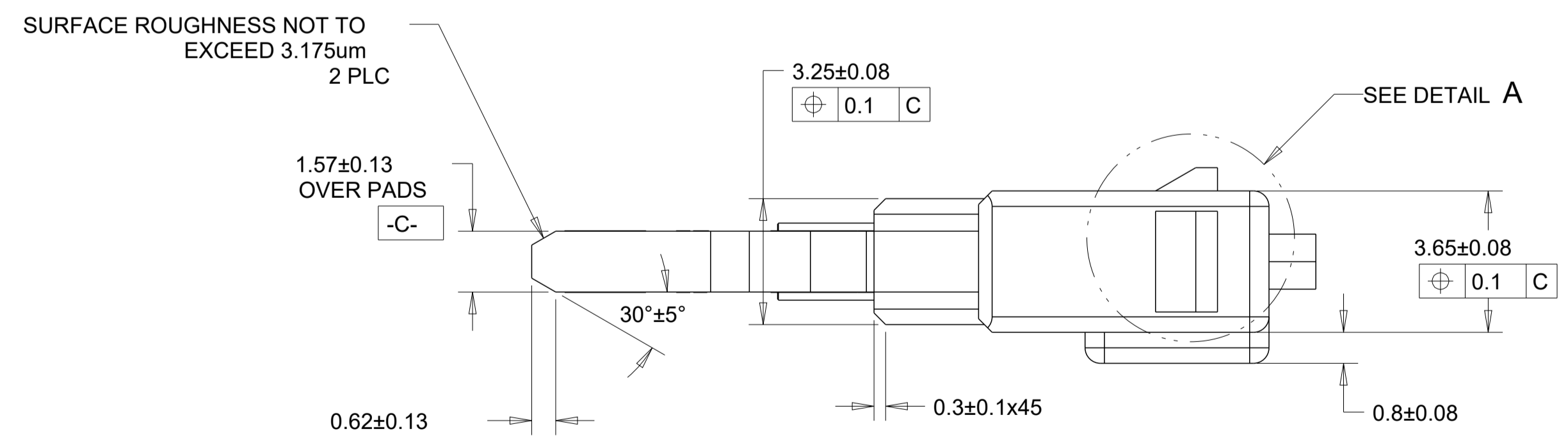
2317823-1
 PART NO

THIS DRAWING IS A CONTROLLED DOCUMENT.		DWN: T. SMITH 08JAN2018	
DIMENSIONS: min		CHK: G. GUTGOLD 08JAN2018	
TOLERANCES UNLESS OTHERWISE SPECIFIED:		APVD: G. GUTGOLD 08JAN2018	NAME: PLUG KIT, 74 POSN, SLIVER
0 PLC ±	1 PLC ±	PRODUCT SPEC	SIZE: A1
2 PLC ±	3 PLC ±	APPLICATION SPEC	CAGE CODE: -
4 PLC ±	ANGLES ±	WEIGHT: -	DRAWING NO: 2317823
MATERIAL: -	FINISH: -	CUSTOMER DRAWING	RESTRICTED TO: -
SCALE: 8:1			SHEET: 1 OF 2
REV: B			

REVISIONS				
P	LTR	DESCRIPTION	DATE	APP'D
-		SEE SHEET 1	-	-



RECOMMENDED OVERMOLD MATERIAL
 THERMOPLASTIC POLYAMIDE OR
 EQUIVALENT. DUROMETER 82 SHORE A
 MINIMUM.



OVERMOLDED PCB REQUIREMENTS

THIS DRAWING IS A CONTROLLED DOCUMENT.		DWN: T. SMITH 09JAN2018	 TE Connectivity										
DIMENSIONS: min		CHK: G. GUTGOLD 09JAN2018											
<table border="1"> <tr> <th>min</th> <th>0 PLC</th> <th>1 PLC</th> <th>3 PLC</th> <th>4 PLC</th> </tr> <tr> <td>±</td> <td>±</td> <td>±</td> <td>±</td> <td>±</td> </tr> </table>		min	0 PLC	1 PLC	3 PLC	4 PLC	±	±	±	±	±	APVD: S. GUTGOLD 09JAN2018	NAME: PLUG KIT, 74 POSN, SLIVER
min	0 PLC	1 PLC	3 PLC	4 PLC									
±	±	±	±	±									
MATERIAL: -		FINISH: -	RESTRICTED TO: -										
CUSTOMER DRAWING		SCALE: 6:1	SHEET 2 OF 2 REV B										

单击下面可查看定价，库存，交付和生命周期等信息

[>>TE Connectivity\(泰科\)](#)