

4

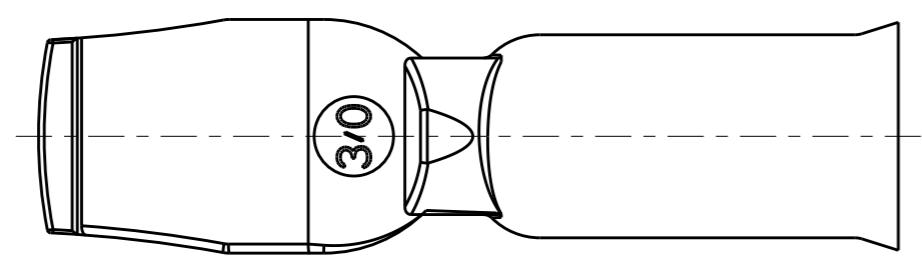
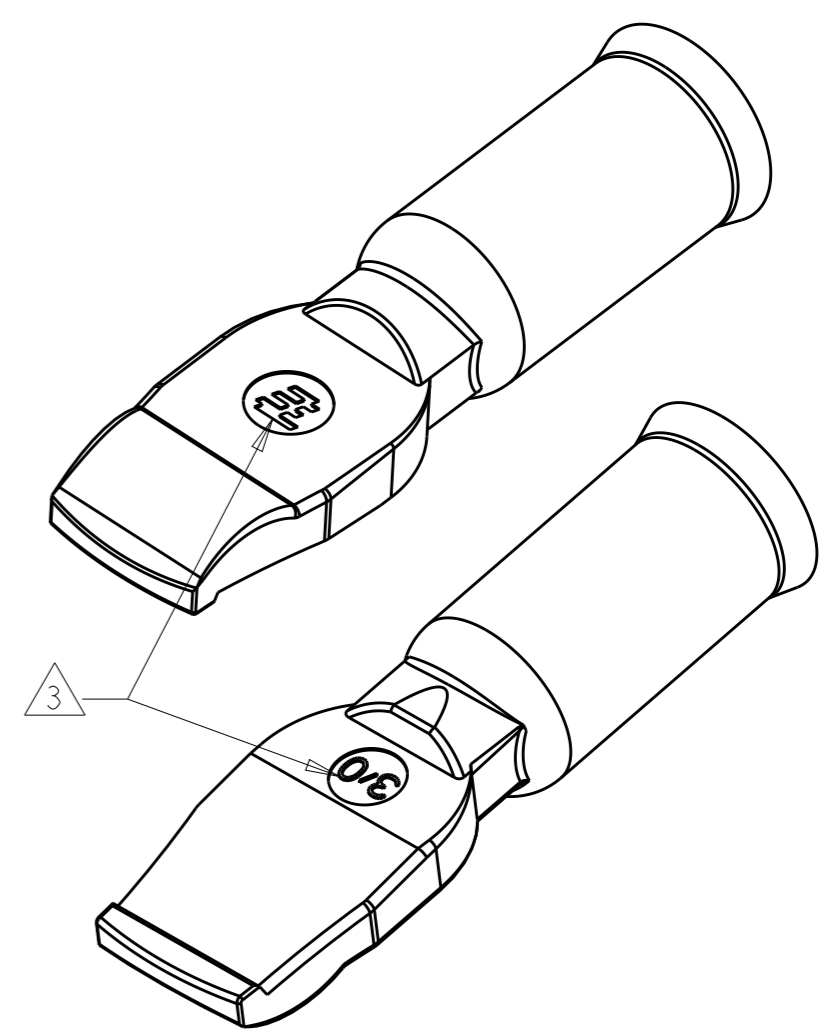
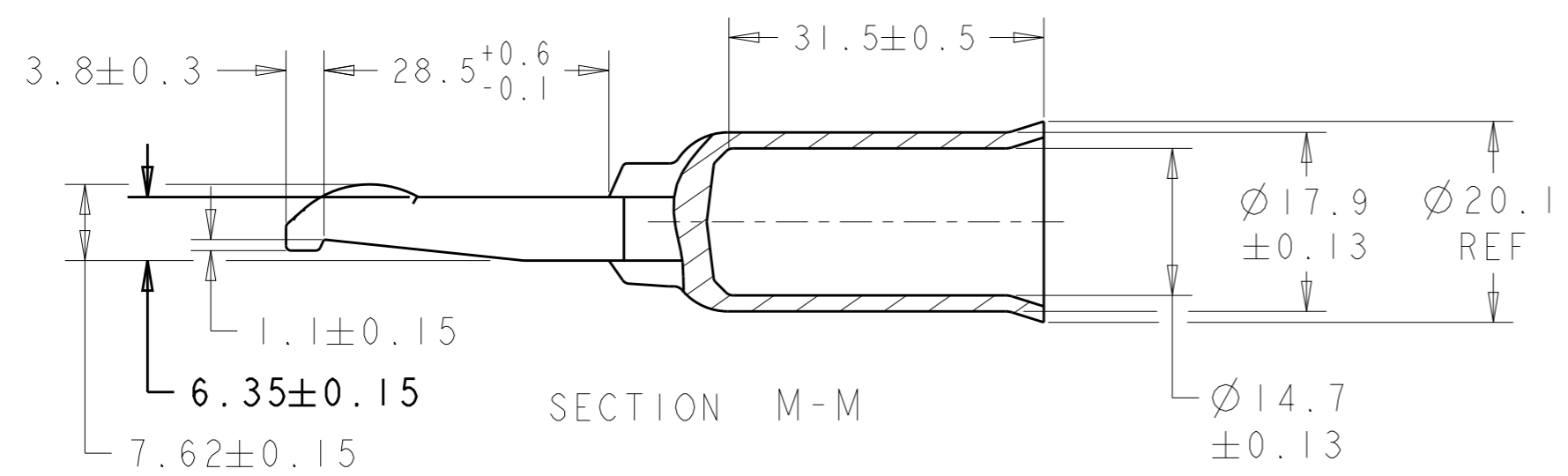
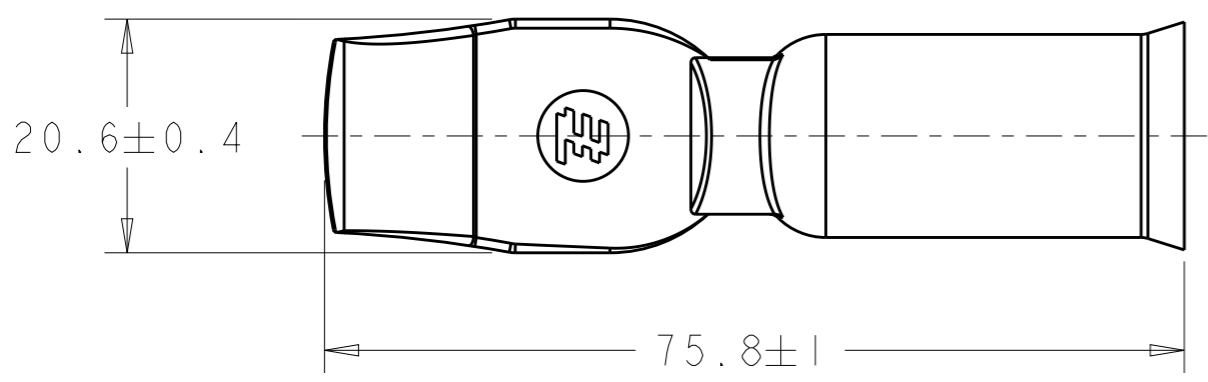
3

2

1

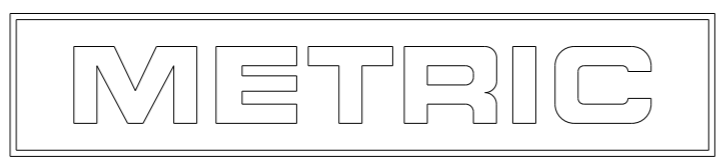
THIS DRAWING IS UNPUBLISHED. RELEASED FOR PUBLICATION 20
 © COPYRIGHT 20 BY TYCO ELECTRONICS CORPORATION. ALL RIGHTS RESERVED.

| LOC | DIST | REVISIONS | | | | | |
|-----|------|-----------|-----|-----------------------|-----------|-----|------|
| CM | 0 | P | LTR | DESCRIPTION | DATE | DWN | APVD |
| | | | B | REV PER ECR 10-006756 | 01APR10 | JR | SM |
| | | | C | REV PER ECR-18-000415 | 19JAN2018 | RS | SZ |



- 1. MATERIAL: COPPER ALLOY
- 2. FINISH: PLATED SILVER
- △ 3. STAMP MARK MAY BE ROTATED

| | |
|-------------|-------------|
| AS SHOWN | 1604053-1 |
| DESCRIPTION | PART NUMBER |



| | | | | | |
|--|--|---|--|--|--|
| <small>THIS DRAWING IS A CONTROLLED DOCUMENT FOR TYCO ELECTRONICS CORPORATION. IT IS SUBJECT TO CHANGE AND THE CONTROLLING ENGINEERING ORGANIZATION SHOULD BE CONTACTED FOR THE LATEST REVISION.</small> | | DWN 09APR2002 Brent D. Yohn | | tyco Tyco Electronics Electronics Harrisburg, PA 17105-3608 | |
| DIMENSIONS: mm | | TOLERANCES UNLESS OTHERWISE SPECIFIED: 0 PLC ±. 1 PLC ±0.3 2 PLC ±0.13 3 PLC ±0.050 4 PLC ±. ANGLES ±1° | | NAME CONTACT, AMP POWER SERIES 350, 3/0 AWG | |
| MATERIAL - | | FINISH - | | PRODUCT SPEC - APPLICATION SPEC - WEIGHT - | |
| CUSTOMER DRAWING | | SIZE A3 CAGE CODE 00779 | | DRAWING NO. 1604053 RESTRICTED TO | |
| | | SCALE 3:2 | | SHEET 1 OF 1 REV C | |

单击下面可查看定价，库存，交付和生命周期等信息

[>>TE Connectivity\(泰科\)](#)