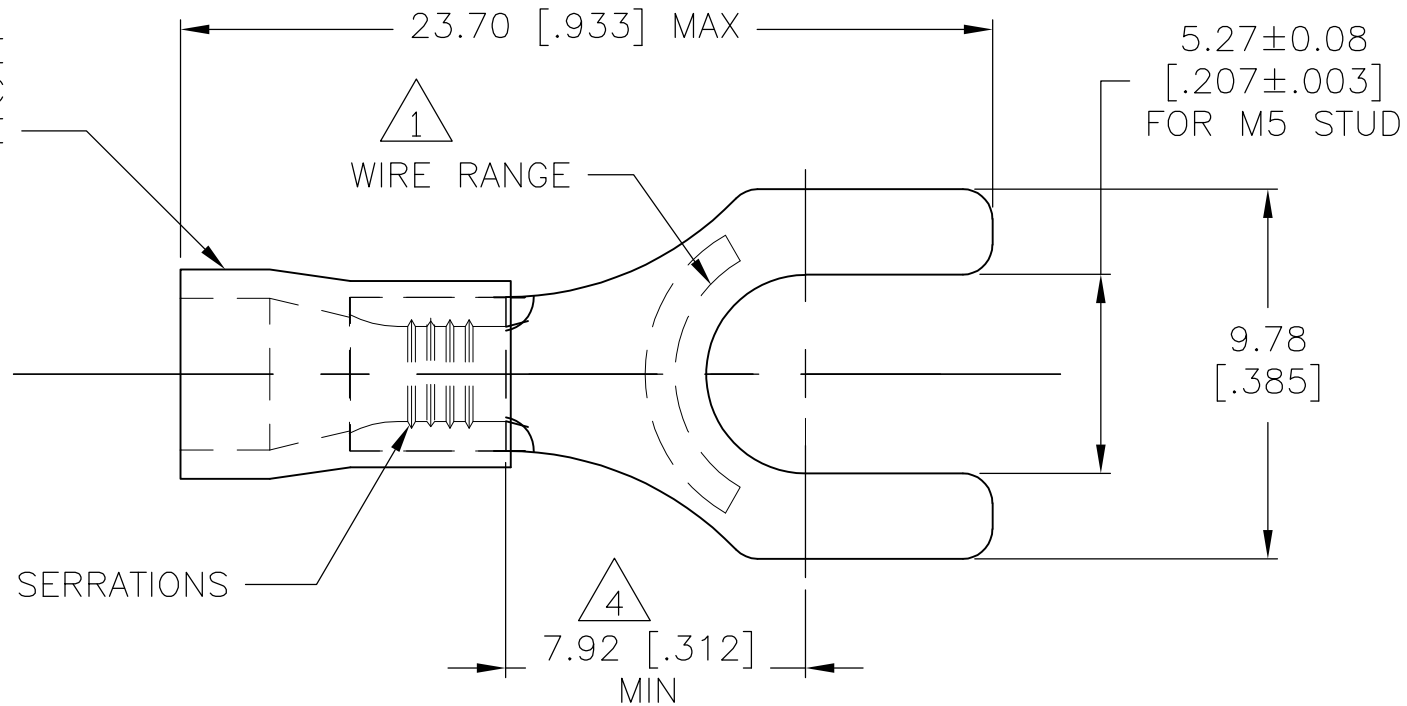


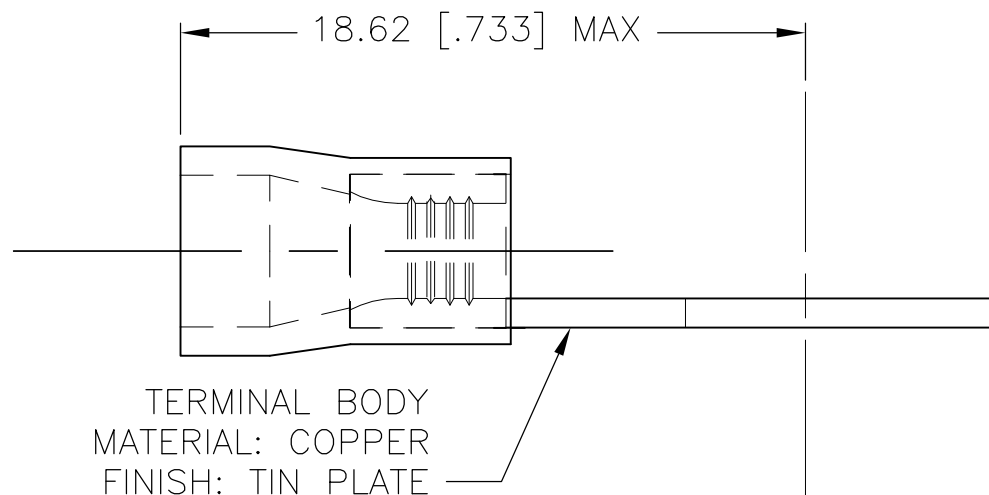
THIS DRAWING IS UNPUBLISHED. RELEASED FOR PUBLICATION
 © COPYRIGHT BY TYCO ELECTRONICS CORPORATION. ALL RIGHTS RESERVED.

LOC	DIST	REVISIONS					
G	02	P	LTR	DESCRIPTION	DATE	DWN	APVD
		E		REV PER ECR 09-025898	02DEC09	JR	TM

INSULATION SLEEVE
 MATERIAL: PVC
 COLOR: BLUE



- 1 WIRE SIZE IS 16-14 AWG
- 2 WIRE INSULATION DIA: 3.0-4.9
- 3 MATERIAL THICKNESS IS 0.80±0.05
- 4 DIMENSION APPLIES FROM EDGE OF METAL WIRE BARREL TO CENTER OF STUD HOLE.
- 5 600 VOLT MAX
- 6 CIRCULAR MIL AREA: 2,050 - 5,180 (1.04mm²-2.62mm²)
- 7 SUPERSEDED BY 160171



.195	ON TAPE	-	7 2-160171-1
.173	LOOSE PIECE	1000	7 160171-1
.195	LOOSE PIECE	1000	160171
DIM "X"	PACKAGING TYPE	QTY	PART NO

THIS DRAWING IS A CONTROLLED DOCUMENT.		DWN jr_ruth 02DEC09	Tyco Electronics Corporation Harrisburg, PA 17105-3608	
DIMENSIONS: mm [INCHES]		CHK T MICHIELUTTI 02DEC09	NAME	
TOLERANCES UNLESS OTHERWISE SPECIFIED:		APVD T MICHIELUTTI 02DEC09	PRODUCT SPEC	
0 PLC ± -		APPLICATION SPEC		
1 PLC ± 0.5		SIZE CAGE CODE DRAWING NO RESTRICTED TO		
2 PLC ± -		A3 00779 C-160171		
3 PLC ± -		SCALE 5:1 SHEET 1 OF 1 REV E		
4 PLC ± -				
ANGLES ± 1°				
MATERIAL COPPER	FINISH TIN PLATED	CUSTOMER DRAWING		

单击下面可查看定价，库存，交付和生命周期等信息

[>>TE Connectivity\(泰科\)](#)