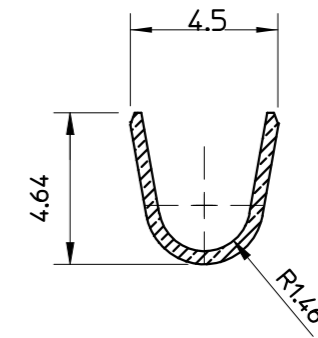
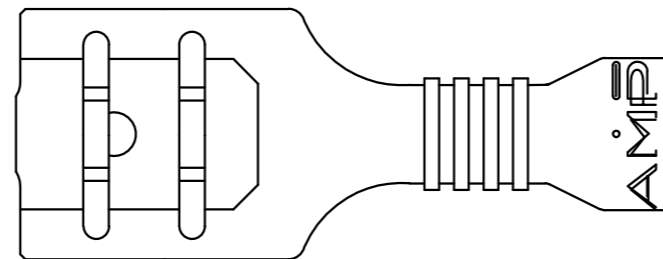


SECTION A-A



SECTION B-B



NOTE:  
 1. INITIAL INSERTION FORCE:  
 P/Nos 190538-1 & -2: 60N MAX  
 P/Nos 190538-4, -7 : 80N MAX

	-	PRE TIN	BRASS	190538-7
SUPERSEDED BY -7	-	TIN PLATED	BRASS	190538-4
	-	-	NICKEL SILVER	190538-2
	-	-	BRASS	190538-1
	REMARKS	FINISH	MATERIAL	PART No

WIRE RANGE: 0.5-1.5 sq mm							
INSULATION RANGE: $\phi$ 2.29-3.3 mm							
				SIZE			
				DATE 23/3/94		CHK W RIEDE	
				DR H THAI		APP -	
				RECEPTACLE, FASTON, 0.250			
				SCALE AS 4:1 or SHOWN		SIZE A3	
				DWG No. C-190538		SHEET 1 OF 1	
				REV D1		LOC CODE U	
P	F	LTR	REVISION RECORD	APP	DATE		



THIS INFORMATION IS CONFIDENTIAL AND DISCLOSED TO YOU ON CONDITION THAT NO FURTHER DISCLOSURE IS MADE BY YOU TO OTHER THAN AMP PERSONNEL WITHOUT WRITTEN AUTHORIZATION FROM AUSTRALIAN AMP

单击下面可查看定价，库存，交付和生命周期等信息

[>>TE Connectivity\(泰科\)](#)