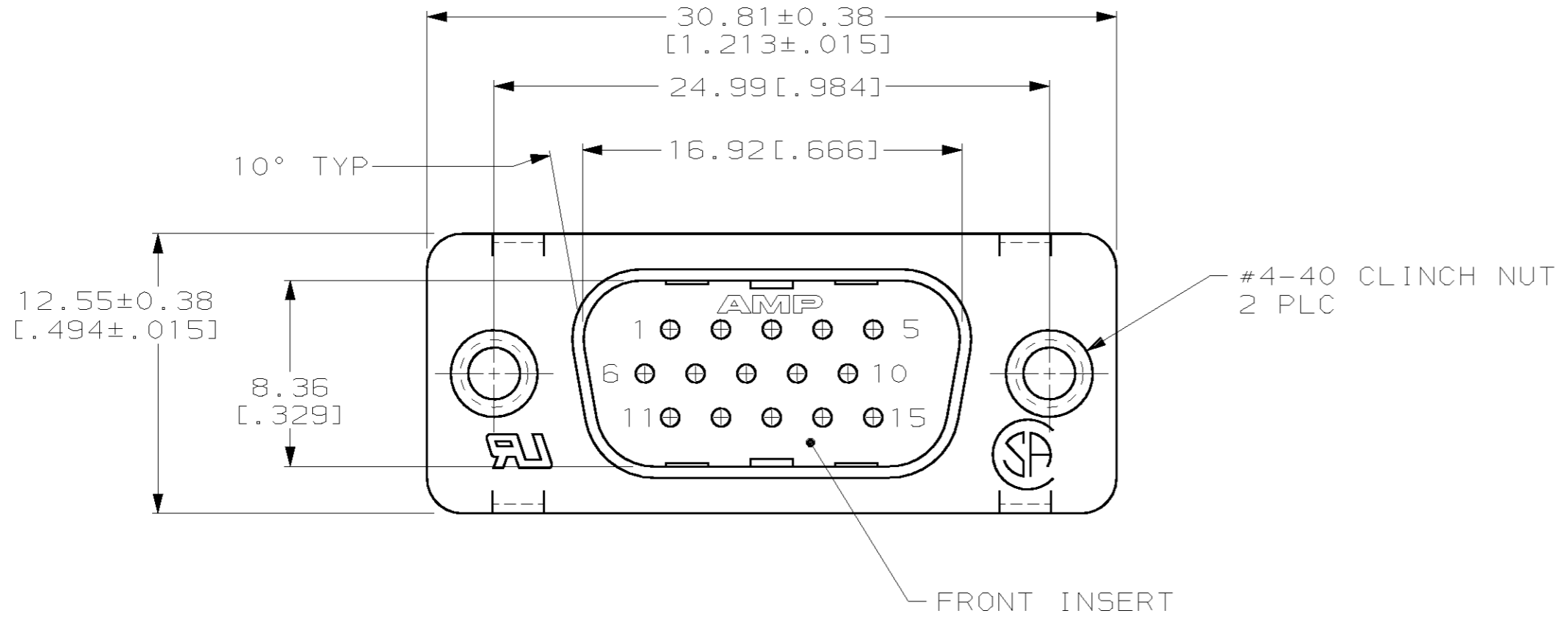
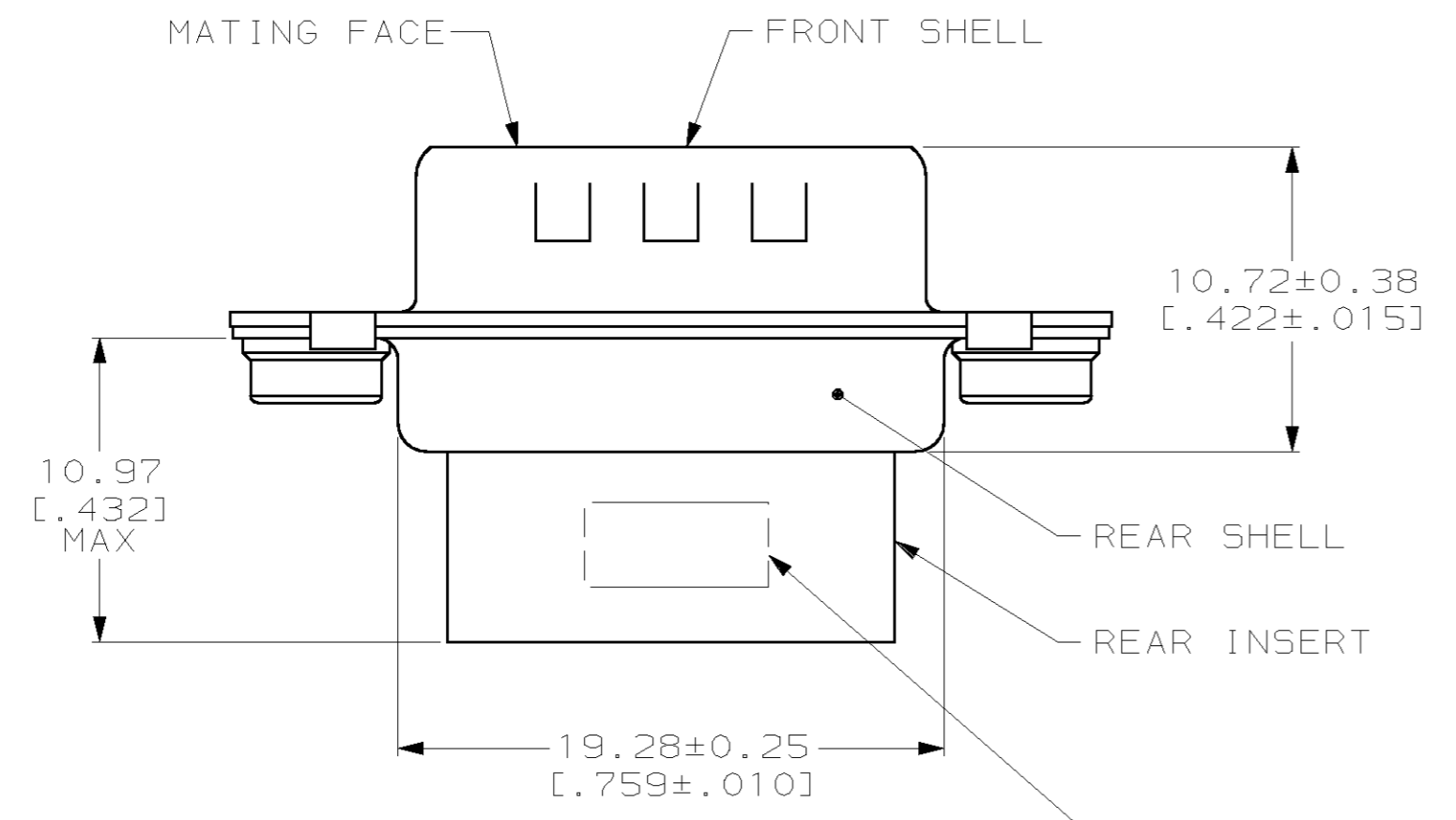


THIS DRAWING IS UNPUBLISHED. RELEASED FOR PUBLICATION
 BY AMP INCORPORATED, ALL RIGHTS RESERVED.

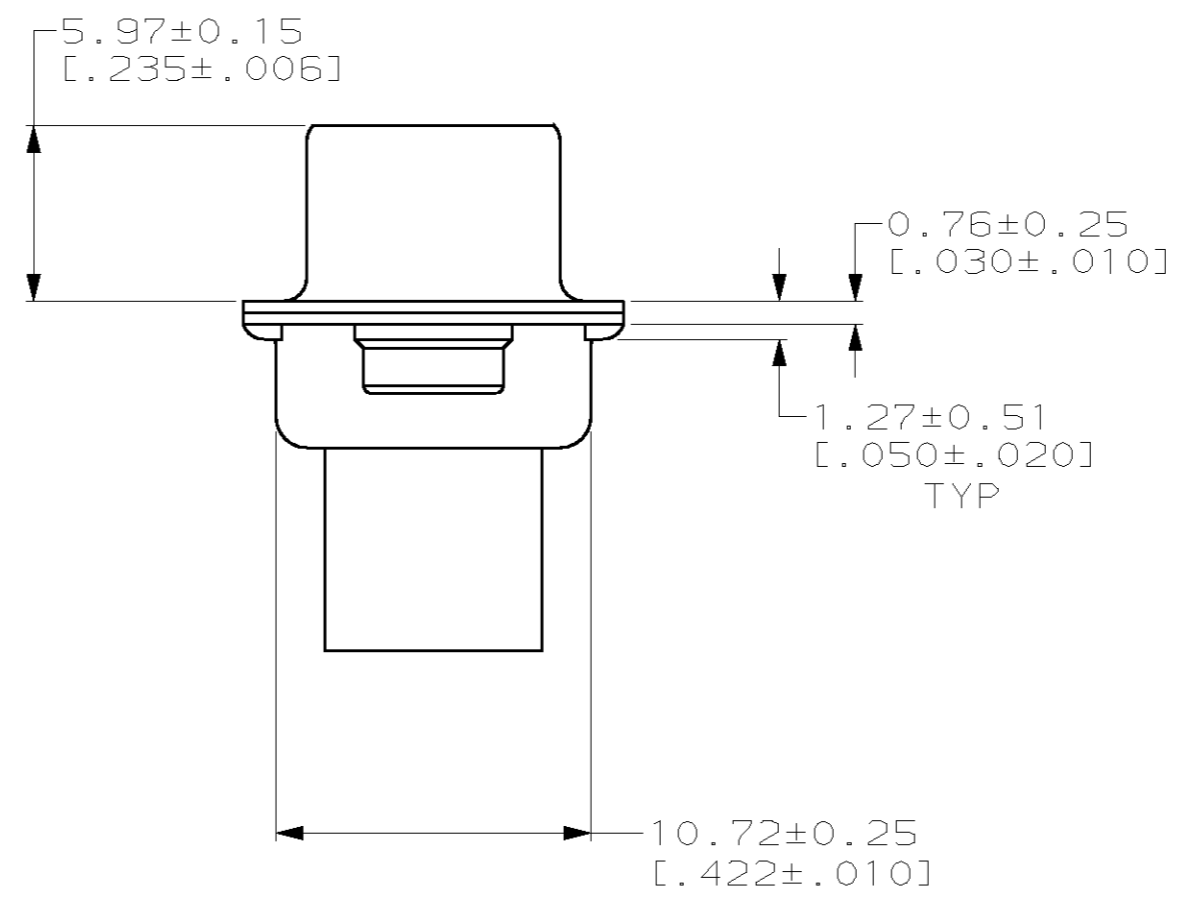
LOC	DIST	REVISIONS			
P	LTR	DESCRIPTION	DATE	DWN	APVD
GP	00				
	0	RELEASED PER EC 0513-0209-03	02JAN04	LB	5B



- CONNECTOR ACCEPTS 22 DF PIN CONTACTS, RETENTION TINES ARE AN INTEGRAL PART OF INSERT.
- CLINCH NUT & SHELLS: CARBON STEEL.
INSERTS: NYLON, BLACK, UL 94V-0 RATED.
- SHELLS: $5.08 \mu\text{m}$ [$.000200$] MIN TIN OVER $2.54 \mu\text{m}$ [$.000100$] MIN COPPER UNDERPLATE.
CLINCH NUT: CLEAR CHROMATE OVER ZINC PLATE.



TYCO, PART NUMBER AND DATE CODE MARKED IN AREA INDICATED, ON FAR SIDE



1658691-1
 PART NUMBER

THIS DRAWING IS A CONTROLLED DOCUMENT.		DWN L. BAUM 02JAN04	AMP Incorporated Harrisburg, PA 17105-3608	
DIMENSIONS: mm [INCH]		CHK S. BOLASH 02JAN04	NAME M. WALMSLEY 02JAN04	
TOLERANCES UNLESS OTHERWISE SPECIFIED: 0 PLC ±- 1 PLC ±- 2 PLC ±0.13 [.005] 3 PLC ±- 4 PLC ±- ANGLES ±2°		APVD M. WALMSLEY 02JAN04	PRODUCT SPEC 108-1268	
MATERIAL		FINISH	APPLICATION SPEC 114-10001	RESTRICTED TO
			WEIGHT -	SCALE 4:1
			CUSTOMER DRAWING	SHEET 1 OF 1
				REV 0

单击下面可查看定价，库存，交付和生命周期等信息

[>>TE Connectivity\(泰科\)](#)