



THIS DRAWING IS UNPUBLISHED. RELEASED FOR PUBLICATION

© COPYRIGHT BY TYCO ELECTRONICS CORPORATION. ALL RIGHTS RESERVED.

LOC	DIST	REVISIONS			
P	LTR	DESCRIPTION	DATE	DWN	APVD
ES	00	SEE SHEET 1	-	-	-

NOTE:  
 1. USE WITH:MT REC CONN P/N: X-353293-X  
 CRIMP HSG P/N: X-353908-X  
 CRIMP CONT P/N: 353907-1  
 353918-1(L/P)

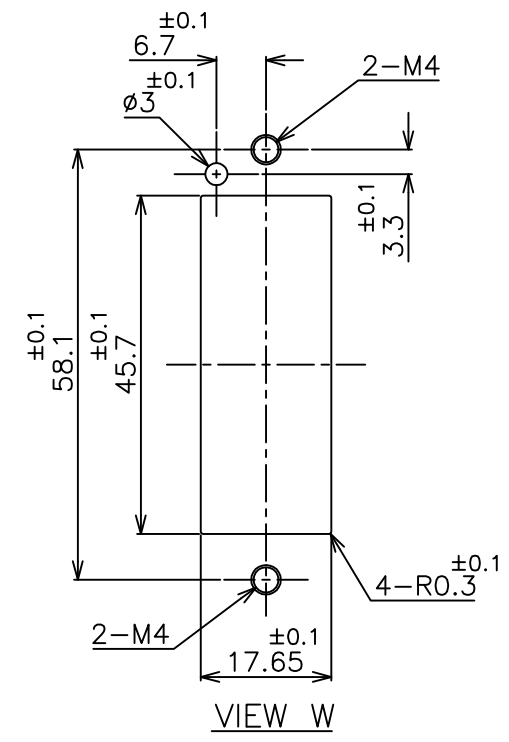
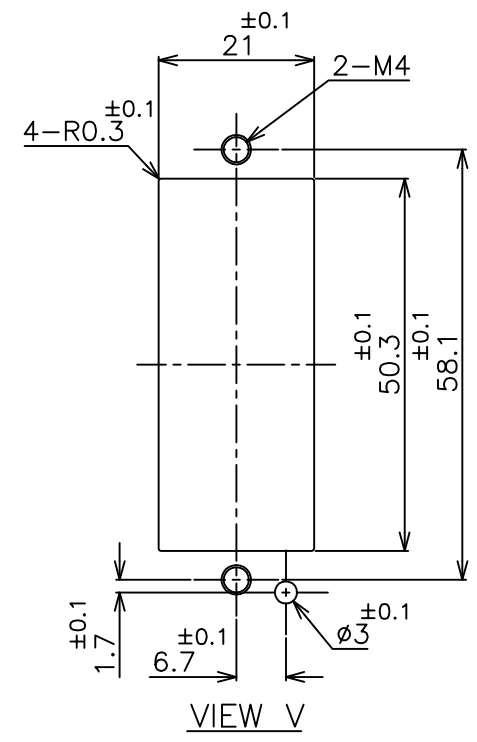
APPLICABLE POWER AND GND CONTACT P/N

FINISH	AWG	POWER STRIP	GND STRIP
GOLD PL. & TIN-LEAD PL.	#16-20	0-179316-2	0-316458-2
GOLD PL. & TIN PL.	#16-20	0-179316-4	0-316458-4
ALL TIN PL.	#16-20	1-179316-2	1-316458-2
	#20-24	0-179317-2	-
	#20-24	0-179317-4	-
	#16-20	1-179316-2	1-316458-2
	#20-24	1-179317-2	-

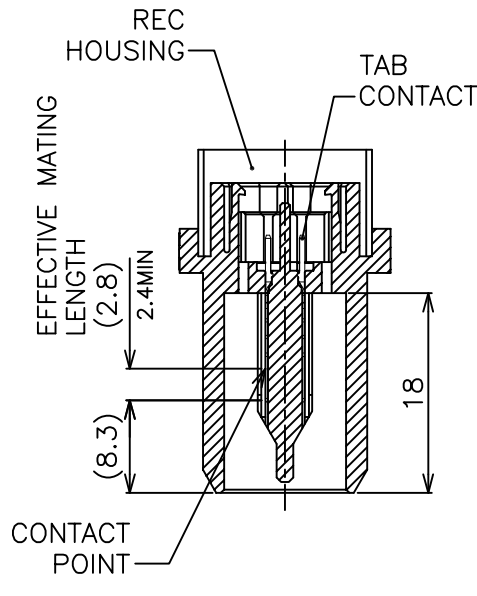
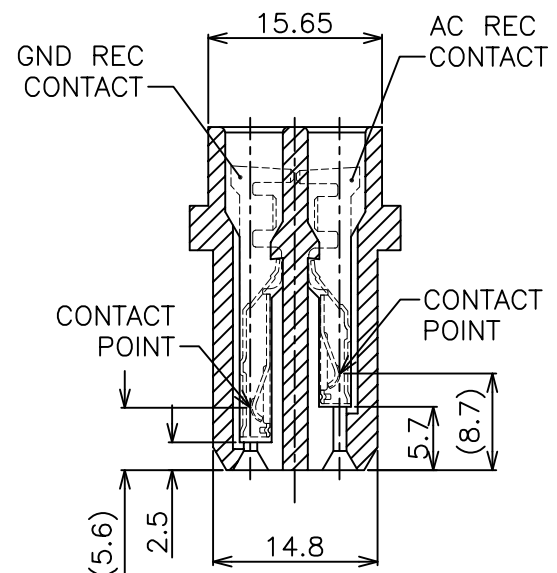
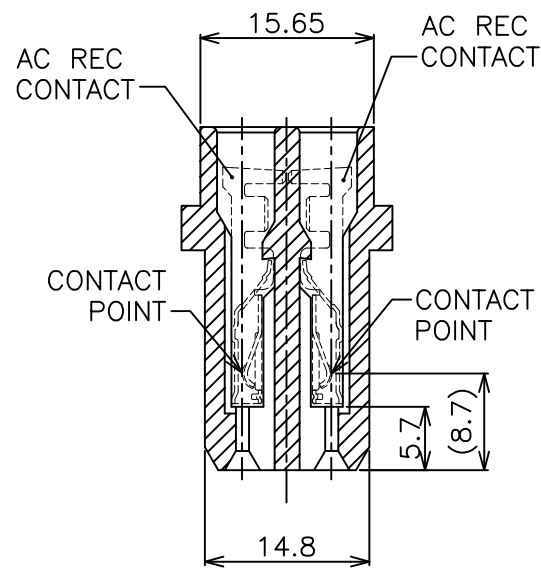
APPLICABLE POWER CONTACT P/N

FINISH	AWG	POWER STRIP
GOLD PL. & TIN-LEAD PL.	#16-20	0-179316-2
GOLD PL. & TIN PL.	#16-20	0-179316-4
ALL TIN PL.	#16-20	1-179316-2
	#20-24	0-179317-2
	#20-24	1-179317-2

- MATERIAL;  
HOUSING : PBT G.F. UL94V-0 COLOR:BLACK  
SIGNAL CONTACT : BRASS
- CONTACT FINISH;  
DRAWER CONTACT AREA : NICKEL PL. ALL OVER GOLD PL.  
POST AREA : NICKEL PL. ALL OVER TIN PL.
- P : NUMBER OF POWER CONTACT (UNASSEMBLED)  
S : NUMBER OF SIGNAL CONTACT (ASSEMBLED)
- COUNTER MATING CONNECTOR P/N : 2-1674754-0
- GENERAL TOLERANCE  
10 ≥ : ±0.2  
30 ≥ >10 : ±0.25  
100 ≥ >30 : ±0.3  
ANGLES : ±3°
- RECOMMENDED TIGHTENING TORQUE FOR PANEL INSTALLATION : 0.49Nm MAX. (5kgfcm MAX.)



PANEL CUT DIMENSIONS (CONNECTOR MATING SIDE)



SECT A-A  
2-1674755-1 AS SHOWN

SECT A-A  
2-1674755-0 AS SHOWN

SECT B-B

THIS DRAWING IS A CONTROLLED DOCUMENT.		DWN		TE Connectivity	
DIMENSIONS: mm		CHK			
TOLERANCES UNLESS OTHERWISE SPECIFIED:		APVD		NAME	
0 PLC ± 1 PLC ± 2 PLC ± 3 PLC ± 4 PLC ± ANGLES ±		PRODUCT SPEC		RECEPTACLE ASSY MINI CT HYBRID DRAWER CONNECTOR AC6DC20 TYPE	
MATERIAL FINISH		APPLICATION SPEC		SIZE CAGE CODE DRAWING NO RESTRICTED TO	
		WEIGHT		A3 00779 C=1674755	
		CUSTOMER DRAWING		SCALE NTS SHEET 2 OF 2 REV D	

单击下面可查看定价，库存，交付和生命周期等信息

[>>TE Connectivity\(泰科\)](#)