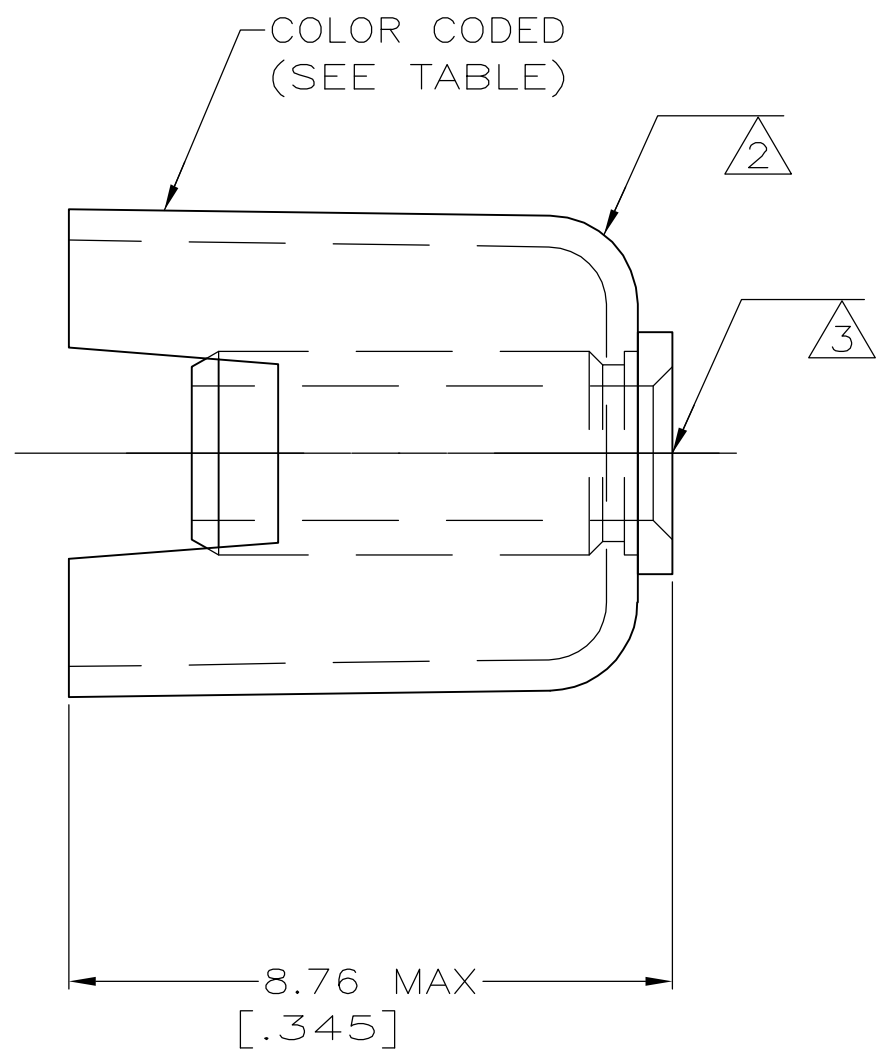
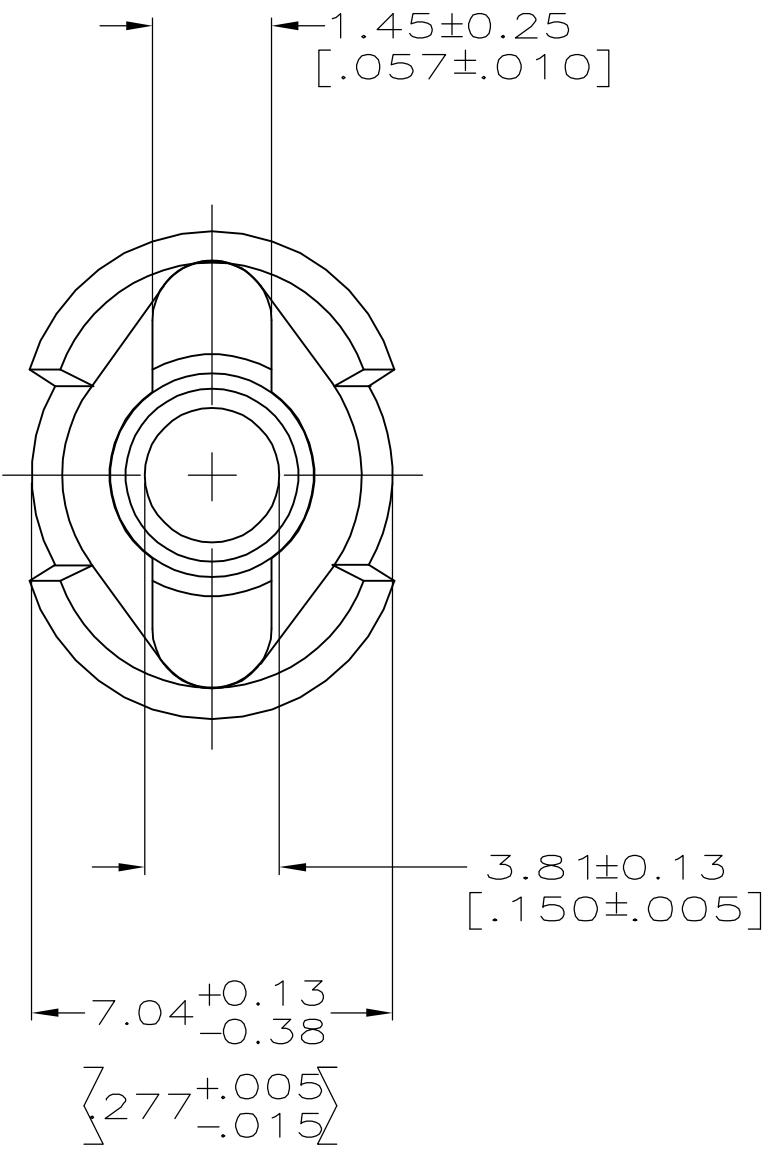


THIS DRAWING IS UNPUBLISHED. RELEASED FOR PUBLICATION
 © COPYRIGHT BY TYCO ELECTRONICS CORPORATION. ALL RIGHTS RESERVED.

| | | | | | | | |
|-----|------|-----------|-----|---------------------------|-----------|-----|------|
| LOC | DIST | REVISIONS | | | | | |
| AJ | 16 | P | LTR | DESCRIPTION | DATE | DWN | APVD |
| | | | V1 | REVISED PER ECO-06-018709 | 18SEP2006 | MC | JH |



- ① ZINC PLATE PER QQ-Z-325
- ② COPPER PER QQ-C-576
- ③ BRASS PER ASTM-B-16
- ④ TIN PLATE PER MIL-T-10727

INSULATION DIA: 2.92-3.30
 [.115-.130]

| | | | | |
|----------|----------|-------|--------|-------------|
| OBSOLETE | .0310 OZ | NONE | ④ | 2-323934-3 |
| | .0310 OZ | GREEN | ④ | 2-323934-2 |
| OBSOLETE | - | GREEN | ④ | 2-323934-1 |
| OBSOLETE | .0310 OZ | GREEN | ① | 323934 |
| | WEIGHT | COLOR | FINISH | PART NUMBER |

| | | | | | | | | | | | | |
|---|--|------------------|----------------|------------------|---|-----|-----------|-------|------------|----------|---------------|----|
| THIS DRAWING IS A CONTROLLED DOCUMENT. | | DWN | J.L.GROFT | 1-3-97 | Tyco Electronics Corporation Harrisburg, PA 17105-3608 | | | | | | | |
| DIMENSIONS: mm | | CHK | S.W.BURKHOLDER | 1-3-97 | | | | NAME | | | | |
| TOLERANCES UNLESS OTHERWISE SPECIFIED: | | APVD | S.W.BURKHOLDER | 1-3-97 | FERRULE ASSEMBLY, TERMASHIELD | | | | | | | |
| 0 PLC ± - 1 PLC ± - 2 PLC ± - 3 PLC ± - 4 PLC ± - ANGLES ± - | | PRODUCT SPEC | | - | | | | | | | | |
| MATERIAL SEE NOTES | | FINISH SEE NOTES | | APPLICATION SPEC | | - | | | | | | |
| | | WEIGHT | - | | SIZE | A3 | CAGE CODE | 00779 | DRAWING NO | C-323934 | RESTRICTED TO | - |
| CUSTOMER DRAWING | | | | | SCALE | 9:1 | | SHEET | 1 OF 1 | | REV | V1 |

单击下面可查看定价，库存，交付和生命周期等信息

[>>TE Connectivity\(泰科\)](#)