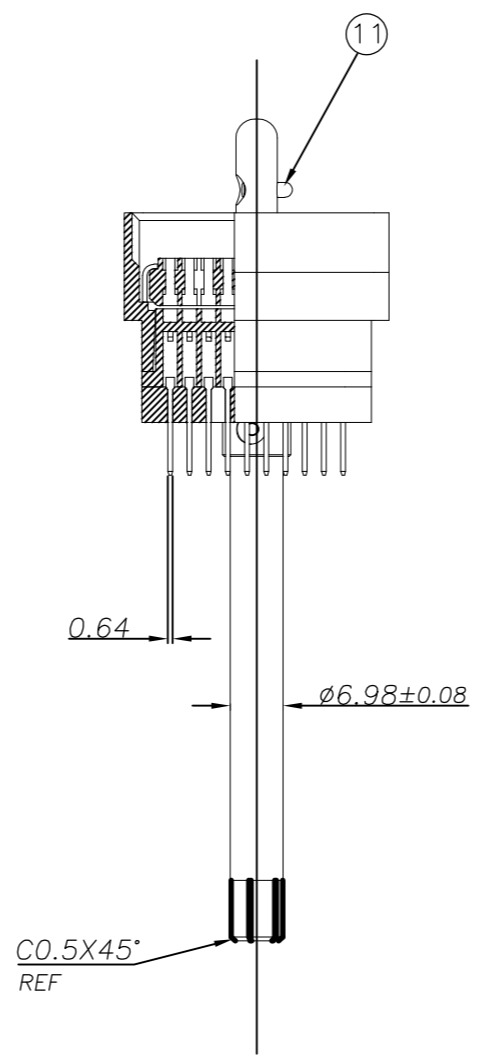
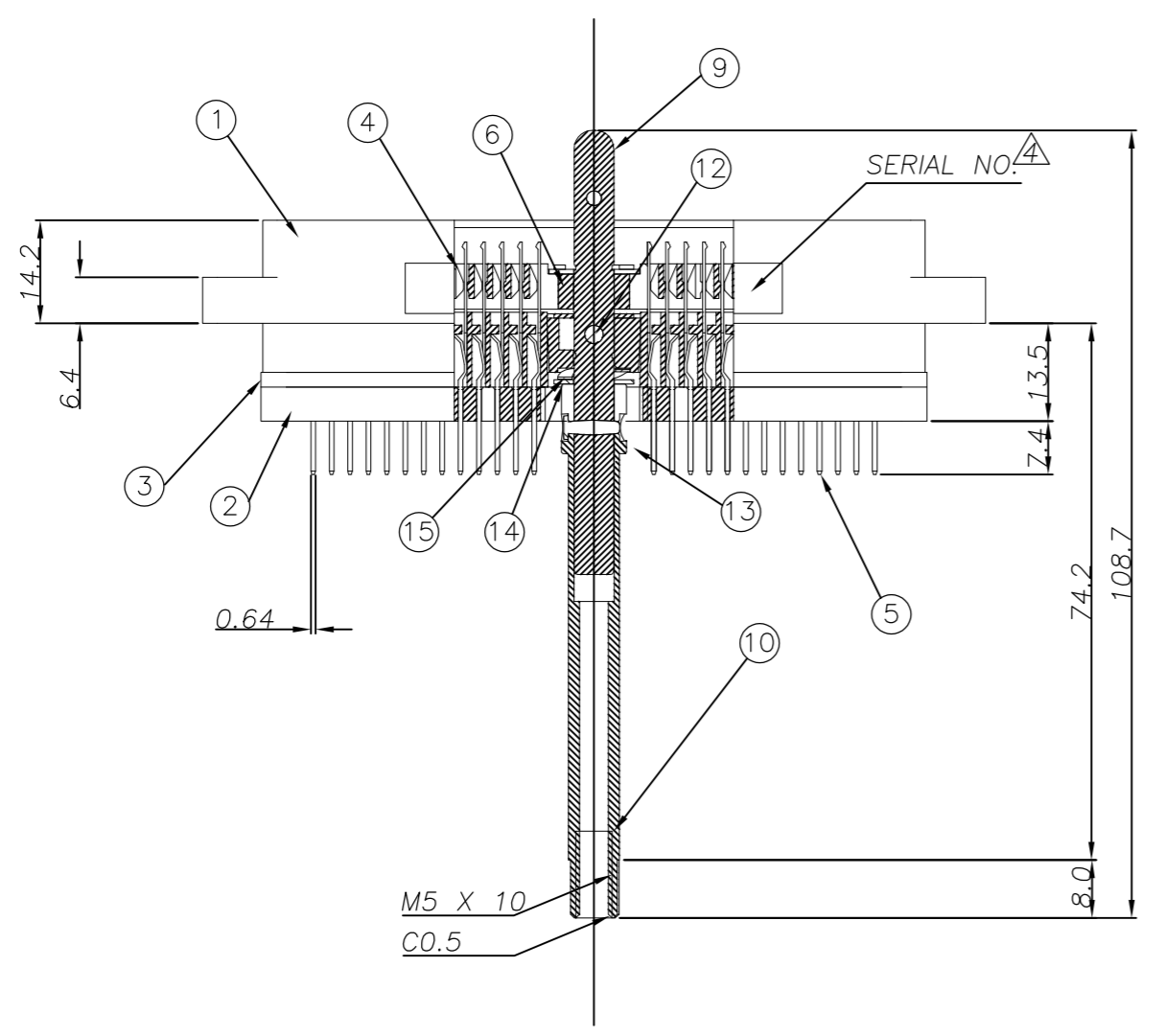
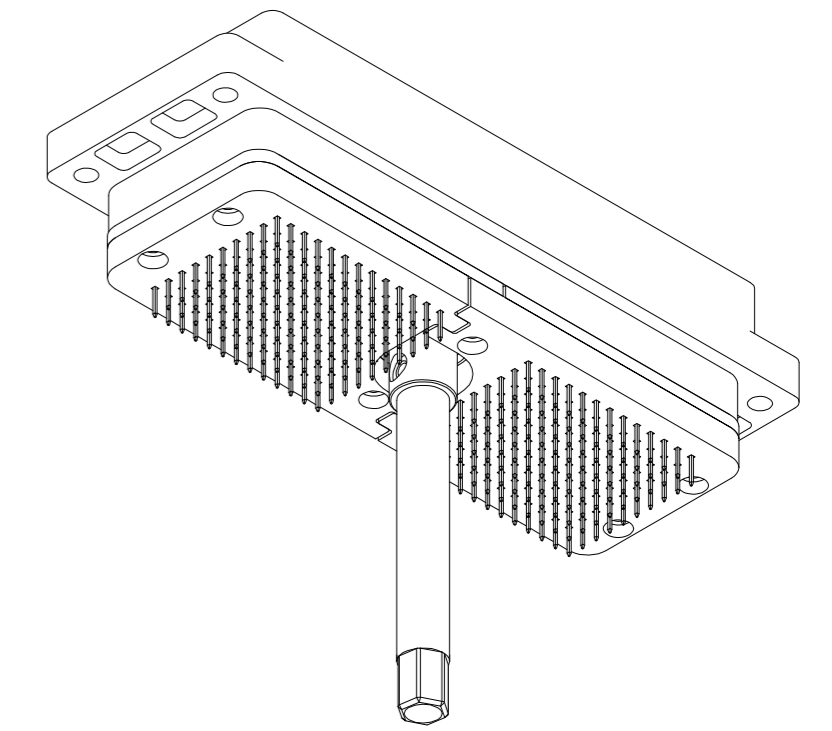
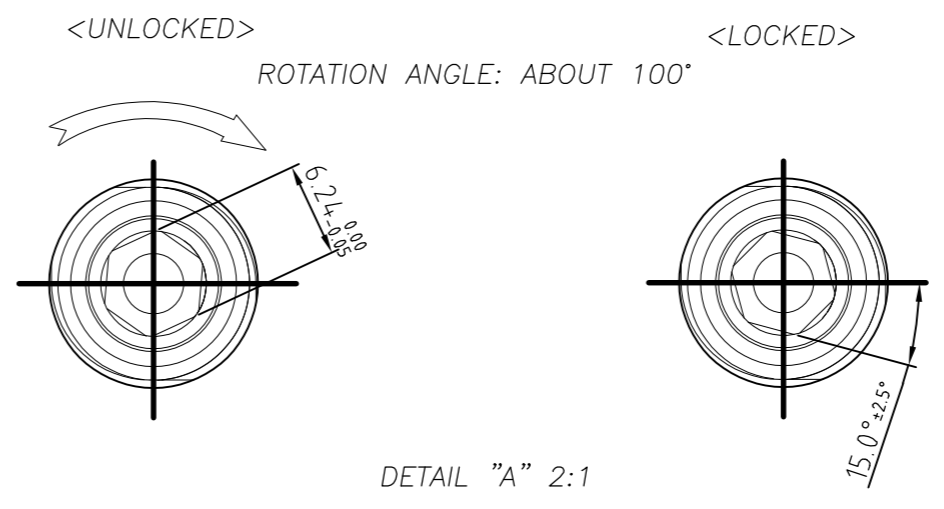
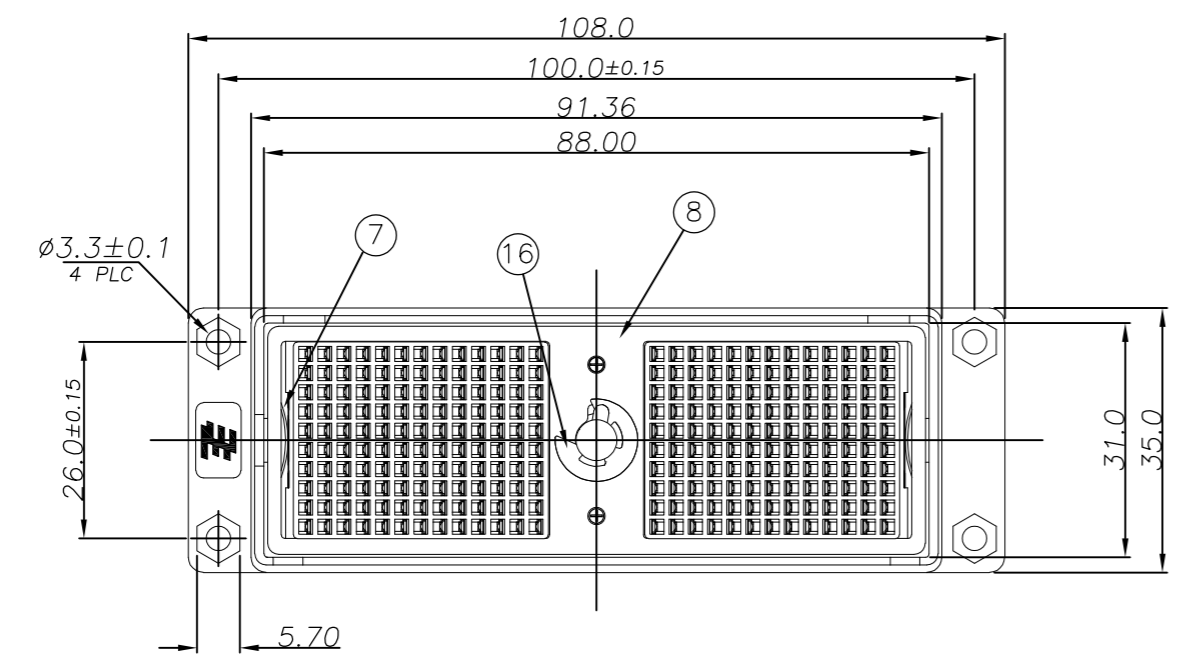


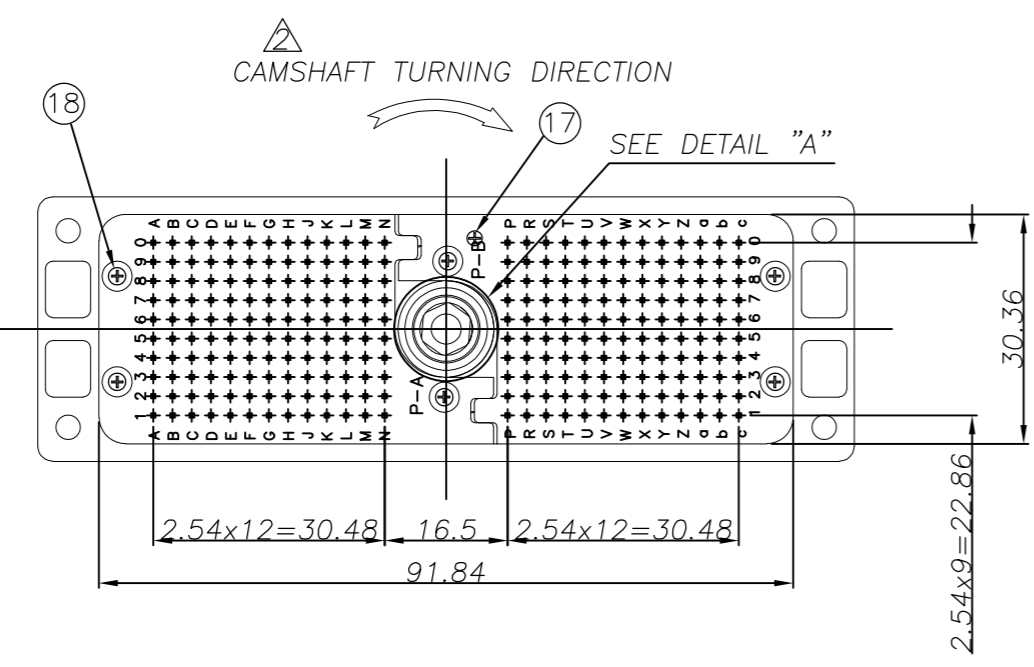
THIS DRAWING IS UNPUBLISHED. RELEASED FOR PUBLICATION
 © COPYRIGHT BY TYCO ELECTRONICS CORPORATION, ALL RIGHTS RESERVED.

LOC	DIST	REVISIONS					
		P	LTR	DESCRIPTION	DATE	DWN	APVD
		C1		REVISED	21.JUN.12	T.K	M.K



NOTE:
 △PLATING :
 CONTACT AREA : 0.8um MIN. GOLD OVER 2.5um MIN. NICKEL.
 OTHERS : GOLD FLASH OVER 2.5um MIN. NICKEL.
 △TORQUE : 93.1N·cm MAX. (9.5Kg·cm MAX.)
 3.GENERAL TOLERANCE: ±0.3.
 △SERIAL NUMBER: YYMMDD-XXXX.

ITEM	DESCRIPTION	MATERIAL	FINISH	REMARK	Q'ty
18	BOLT M2x8	STAINLESS STEEL	-	-	6
17	BOLT M2x4	STAINLESS STEEL	-	-	10
16	E-RING	STAINLESS STEEL	-	-	1
15	WAVE WASHER	STAINLESS STEEL	-	-	1
14	WASHER	STAINLESS STEEL	-	-	2
13	CAM SHAFT PIN(L)	STAINLESS STEEL	-	-	1
12	CAM SHAFT PIN(M)	STAINLESS STEEL	-	-	1
11	CAM SHAFT PIN(S)	STAINLESS STEEL	-	-	1
10	CAM SHAFT BODY	STAINLESS STEEL	-	-	1
9	CAM SHAFT HEADER	STAINLESS STEEL	-	-	1
8	COVER	STAINLESS STEEL	-	-	1
7	SPRING	STAINLESS STEEL	-	-	2
6	PLUG LOCKING GUIDE	THERMOPLASTIC	-	-	2
5	TERMINAL	COPPER ALLOY	△	-	260
4	PLUG SLIDE PLATE	PPS GF30	-	UL 94V-0	2
3	PLUG HOUSING	PBT GF30	-	UL 94V-0	2
2	PIN GUIDE	PC GF30	-	UL 94V-0	2
1	PLUG DIECASTING	ALUMINUM	NICKEL PLATING	-	1



THIS DRAWING IS A CONTROLLED DOCUMENT FOR TYCO ELECTRONICS CORPORATION IT IS SUBJECT TO CHANGE AND THE CONTROLLING ENGINEERING ORGANIZATION SHOULD BE CONTACTED FOR THE LATEST REVISION.		DWN OH KWON CHK M.KIMURA APVD M.KIMURA PRODUCT SPEC 108-61097 APPLICATION SPEC - WEIGHT 163G	STE TE connectivity NAME M-ZIF CONN. PLUG 260P SOLDER TYPE (WITH LONG SHAFT)	
DIMENSIONS: MM 	TOLERANCES UNLESS OTHERWISE SPECIFIED: 0 PLC ± 1 PLC ± 2 PLC ± 3 PLC ± 4 PLC ± ANGLES ± FINISH	MATERIAL SEE TABLE FINISH SEE TABLE	SIZE A2 CAGE CODE 00779 DRAWING NO C-2005931	RESTRICTED TO - SCALE 1/1 SHEET 1 OF 1 REV C1

单击下面可查看定价，库存，交付和生命周期等信息

[>>TE Connectivity\(泰科\)](#)