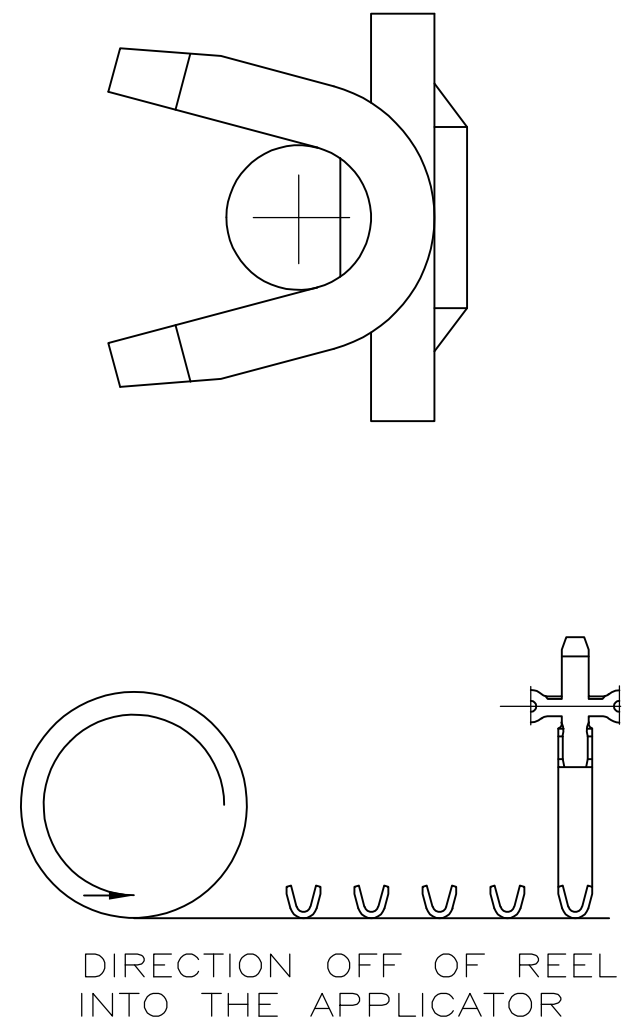
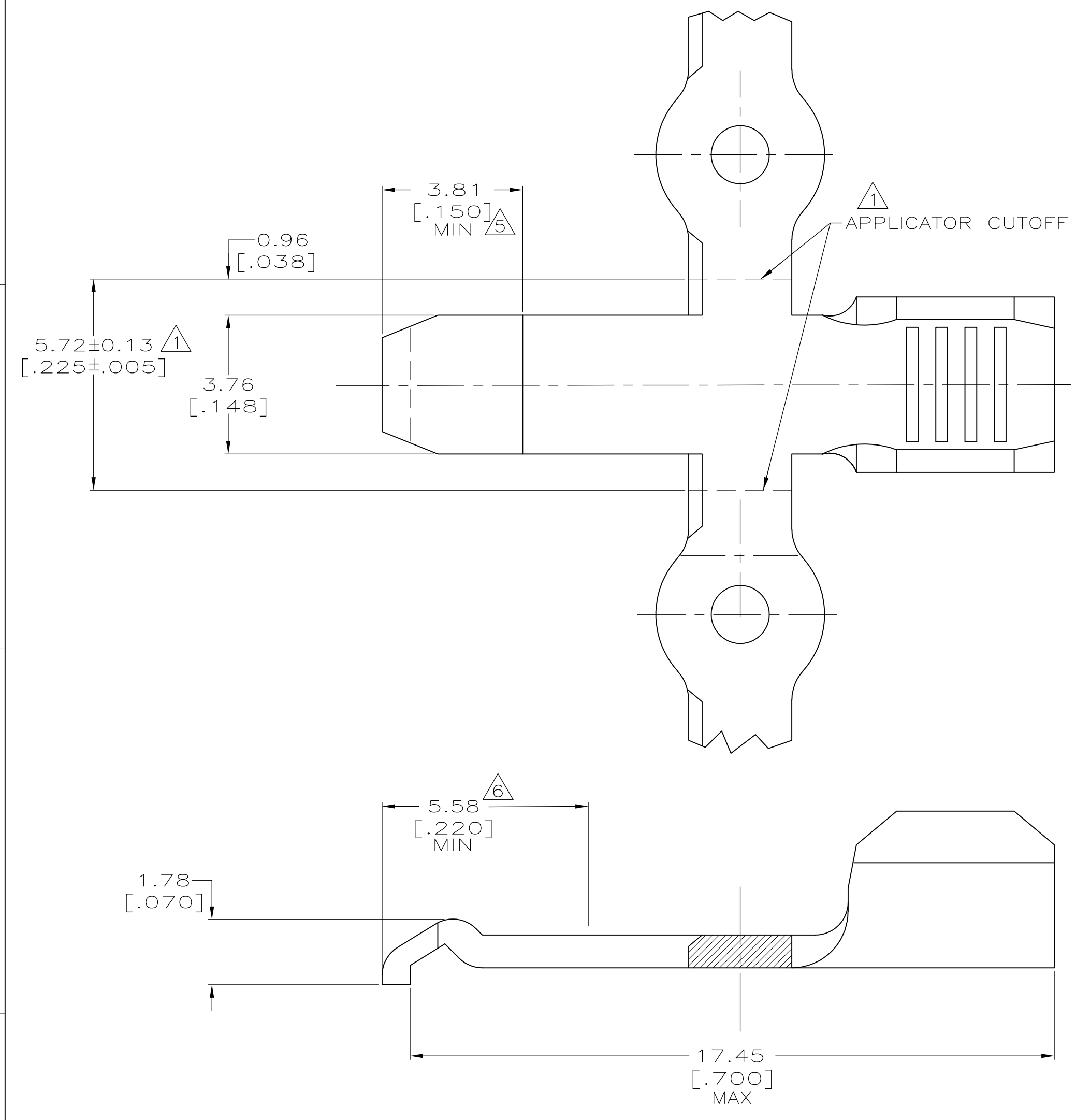


LOC	DIST	REVISIONS					
FT	60	P	LTR	DESCRIPTION	DATE	OWN	APVD
		M2		REVISED PER ECO-13-005883	23JUL2013	KH	MM



- 1 REFER TO AMP INSTRUCTION SHEET IS 2928 FOR APPLICATOR AND CUTOFF DETAILS.
- 2 MATERIAL: COPPER
- 3 FINISH: 0.05 [.000200] MINIMUM THICK SILVER PLATING.
- 4 FINISH: 0.00076 [.000030] MINIMUM THICK GOLD PLATING OVER 0.00127 [.000050] MINIMUM THICK NICKEL PLATING.
- 5 FINISH: 0.00076 [.000030] MINIMUM THICK GOLD PLATING OVER TOP SURFACE INDICATED AND GOLD FLASH OVER REMAINING SURFACES OVER 0.00127 [.000050] MINIMUM NICKEL PLATING.
- 6 TOP SURFACE IS GRAPHITE COATED IN AREA INDICATED.

SUPERSEDED BY	REVISION	DESCRIPTION	PART NO
-2	3, 6	STRIP	1-53892-1
	5	STRIP	53892-8
OBSOLETE	4	LOOSE PIECE	53892-7
	3	LOOSE PIECE	53892-4
	3	STRIP	53892-2

THIS DRAWING IS A CONTROLLED DOCUMENT.

DWN K TILLMAN/UTA 3-21-94	TE Connectivity
CHK D. HUSSEY 3-23-94	
APVD D. KEMPKA 3-23-94	NAME
DIMENSIONS: MM [INCHES] TOLERANCES UNLESS OTHERWISE SPECIFIED: 0 PLC ± - 1 PLC ± - 2 PLC ± 0.20 [.008] 3 PLC ± - 4 PLC ± - ANGLES ± ± 5°	
MATERIAL 2	FINISH SEE TABLE
PRODUCT SPEC: 108-11026 APPLICATION SPEC: 114-6032	
WEIGHT: -	SIZE: A2
CUSTOMER DRAWING	SCALE: 10:1
	SHEET: 1 OF 1
	REV: M2

单击下面可查看定价，库存，交付和生命周期等信息

[>>TE Connectivity\(泰科\)](#)