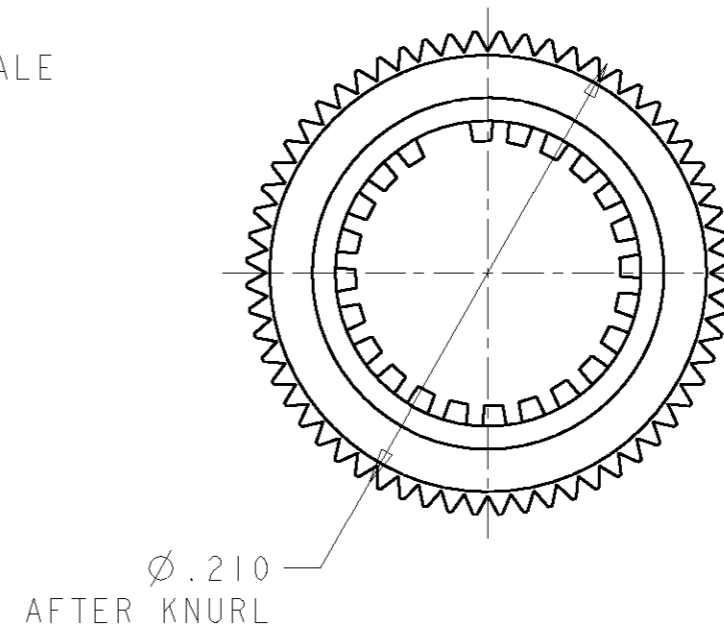
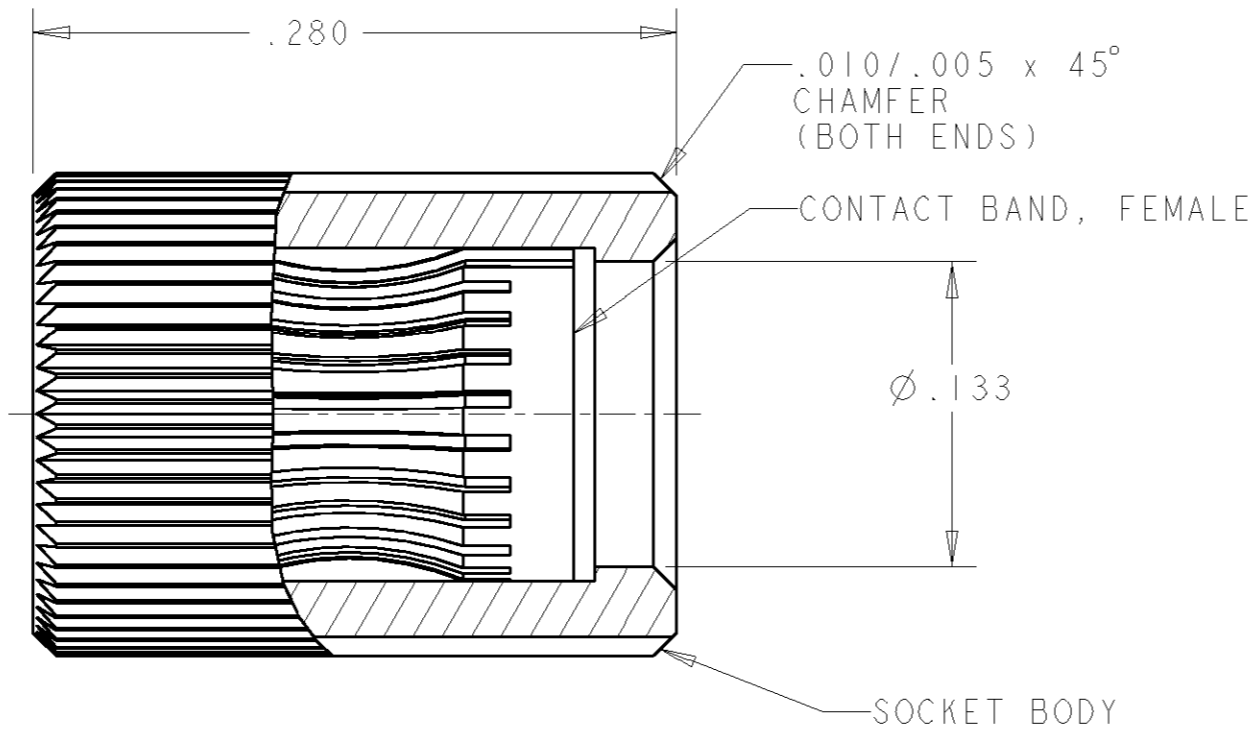


THIS DRAWING IS UNPUBLISHED. RELEASED FOR PUBLICATION 20
 © COPYRIGHT 20 BY TYCO ELECTRONICS CORPORATION. ALL RIGHTS RESERVED.

LOC	DIST	REVISIONS			
P	LTR	DESCRIPTION	DATE	DWN	APVD
GP	00	A	RELEASED	11JAN2007	RG SF



1. PART NUMBER CHANGES AND/OR DESIGN CHANGES AFFECTING ITEM INTERCHANGEABILITY REQUIRES PRIOR TYCO APPROVAL AND AUTHORIZATION BY REVISION TO THIS DRAWING.

2. RECOMMENDED BUS BAR HOLE Ø.205±.001.

3 MATERIAL:
 SOCKET BODY - BRASS
 CONTACT BAND - BERYLLIUM COPPER

4 FINISH:
 SOCKET BODY - SILVER PLATE .000200 MIN THK. OVER NICKEL .000050 MIN THK.
 CONTACT BAND - SILVER PLATE .000200 MIN THK. OVER NICKEL .000040 MIN THK.

5. ITEMS PROVIDED TO THIS SPECIFICATION SHALL BE IDENTIFIED ON THE PACKAGE AS FOLLOWS: MFG IDENTIFICATION AND PART NUMBER

6. MATES WITH A Ø.125" PIN.

AS SHOWN	1926360-1
DESCRIPTION	PART NUMBER

<small>THIS DRAWING IS A CONTROLLED DOCUMENT FOR TYCO ELECTRONICS CORPORATION IT IS SUBJECT TO CHANGE AND THE CONTROLLING ENGINEERING ORGANIZATION SHOULD BE CONTACTED FOR THE LATEST REVISION.</small>		DWN R. GRZYBOWSKI 11JAN2007	Tyco Electronics Harrisburg, PA 17105-3608	NAME SOCKET ASSEMBLY, SPECIAL, PRESS FIT FOR NO. 10 CROWN CPU BUS
DIMENSIONS: INCHES		CHK S. FLICKINGER 11JAN2007		
		APVD S. FLICKINGER 11JAN2007		
TOLERANCES UNLESS OTHERWISE SPECIFIED: 0 PLC ±- 1 PLC ±- 2 PLC ±.010 3 PLC ±.005 4 PLC ±- ANGLES ±-		PRODUCT SPEC -	APPLICATION SPEC -	
MATERIAL 		WEIGHT -	SIZE A3	CAGE CODE 00779
FINISH 		DRAWING NO C-1926360		RESTRICTED TO -
CUSTOMER DRAWING			SCALE 10:1	SHEET 1
			OF 1	REV A

单击下面可查看定价，库存，交付和生命周期等信息

[>>TE Connectivity\(泰科\)](#)