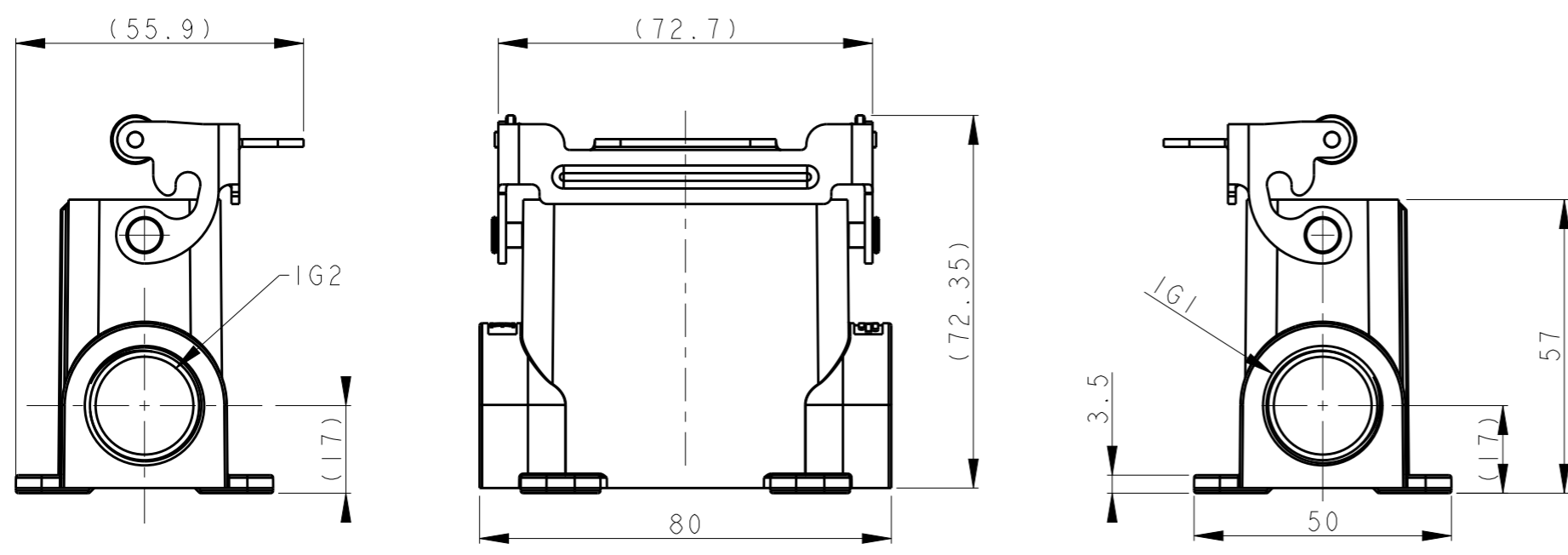
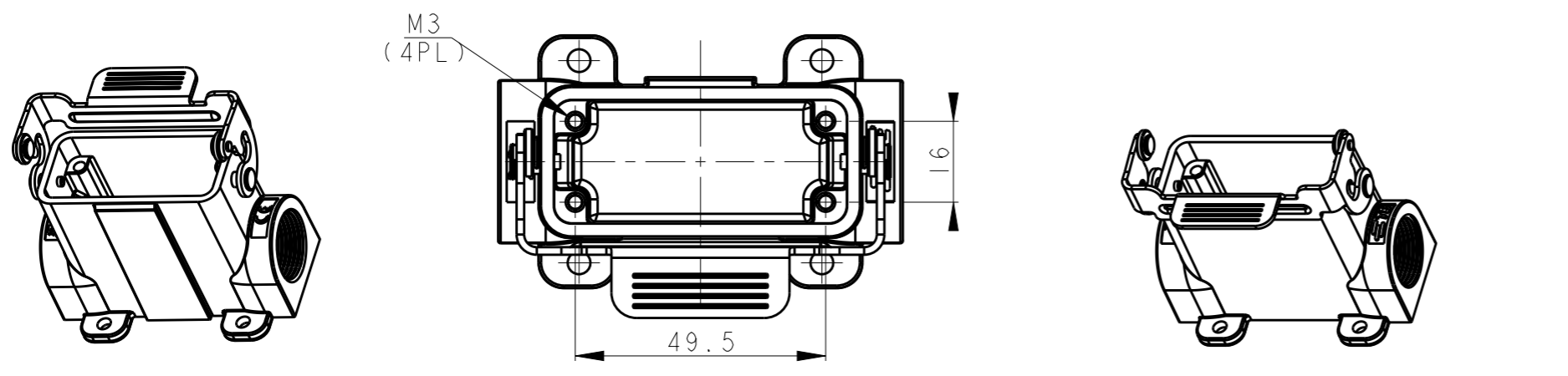


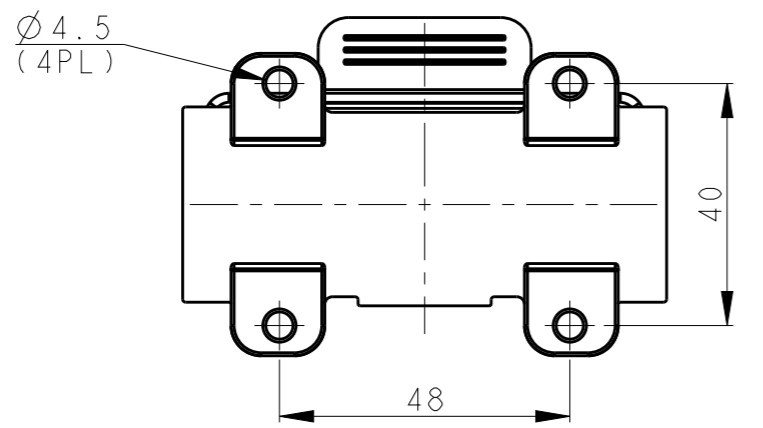
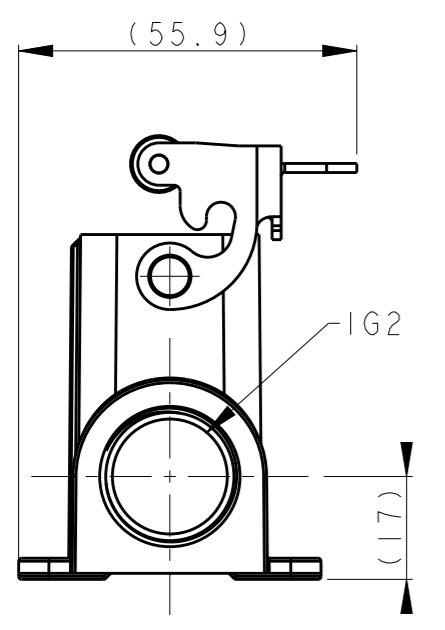
THIS DRAWING IS UNPUBLISHED. RELEASED FOR PUBLICATION 20  
 © COPYRIGHT 20 BY - ALL RIGHTS RESERVED.

| REVISIONS |     |                 |           |     |      |
|-----------|-----|-----------------|-----------|-----|------|
| P         | LTR | DESCRIPTION     | DATE      | DWN | APVD |
|           | A   | INITIAL RELEASE | 24APR2015 | DL  | CW   |
|           | B   | ECR-20-008424   | 14DEC2020 | BS  | CW   |
|           |     |                 |           |     |      |



NOTES:  
 1. TECHNICAL CHARACTERISTICS:  
 BODY MATERIAL: DIE CAST ALUMINIUM ALLOY  
 SURFACE TREATMENT: POWDER-COATED, GRAY  
 DEGREE OF PROTECTION: IP65 (MATED)

注释:  
 1. 技术参数:  
 主体材料: 铝合金  
 表面处理: 粉末喷涂, 灰色  
 防护等级: IP65(配合)



|                      |                           |      |      |
|----------------------|---------------------------|------|------|
| T1619101116-000      | H10A-SGRS-PG16            | PG16 | -    |
| T1619101120-000      | H10A-SGRS-M20             | M20  | -    |
| T1619101121-000      | H10A-SGRS-PG21            | PG21 | -    |
| T1619101125-000      | H10A-SGRS-M25             | M25  | -    |
| T1619101216-000      | H10A-SGRS-2PG16           | PG16 | PG16 |
| T1619101220-000      | H10A-SGRS-2M20            | M20  | M20  |
| T1619101221-000      | H10A-SGRS-2PG21           | PG21 | PG21 |
| T1619101225-000      | H10A-SGRS-2M25            | M25  | M25  |
| ASSEMBLY PART NUMBER | ASSEMBLY PART DESCRIPTION | IG1  | IG2  |

|   |  |                                |   |  |
|---|--|--------------------------------|---|--|
| THIS DRAWING IS A CONTROLLED DOCUMENT.                                |  | DWN 24APR2015<br>DAVID LI      |   |  |
| DIMENSIONS: mm  |  | CHK 24APR2015<br>CHRIS WANG    |   |  |
| TOLERANCES UNLESS OTHERWISE SPECIFIED:                                |  | APVD 24APR2015<br>XU XIANG     | NAME<br>H10A-SGRS-PG/M                  |  |
| 0 PLC ±-<br>1 PLC ±-<br>2 PLC ±-<br>3 PLC ±-<br>4 PLC ±-<br>ANGLES ±- |  | PRODUCT SPEC<br>108-137010     | SIZE CAGE CODE DRAWING NO RESTRICTED TO |  |
| MATERIAL  |  | APPLICATION SPEC<br>114-137010 | A3 - C-T1619101XXX000                   |  |
| FINISH  |  | WEIGHT                         | SCALE 4:5 SHEET 1 OF 1 REV B            |  |
|   |  | CUSTOMER DRAWING               |   |  |

单击下面可查看定价，库存，交付和生命周期等信息

[>>TE Connectivity\(泰科\)](#)