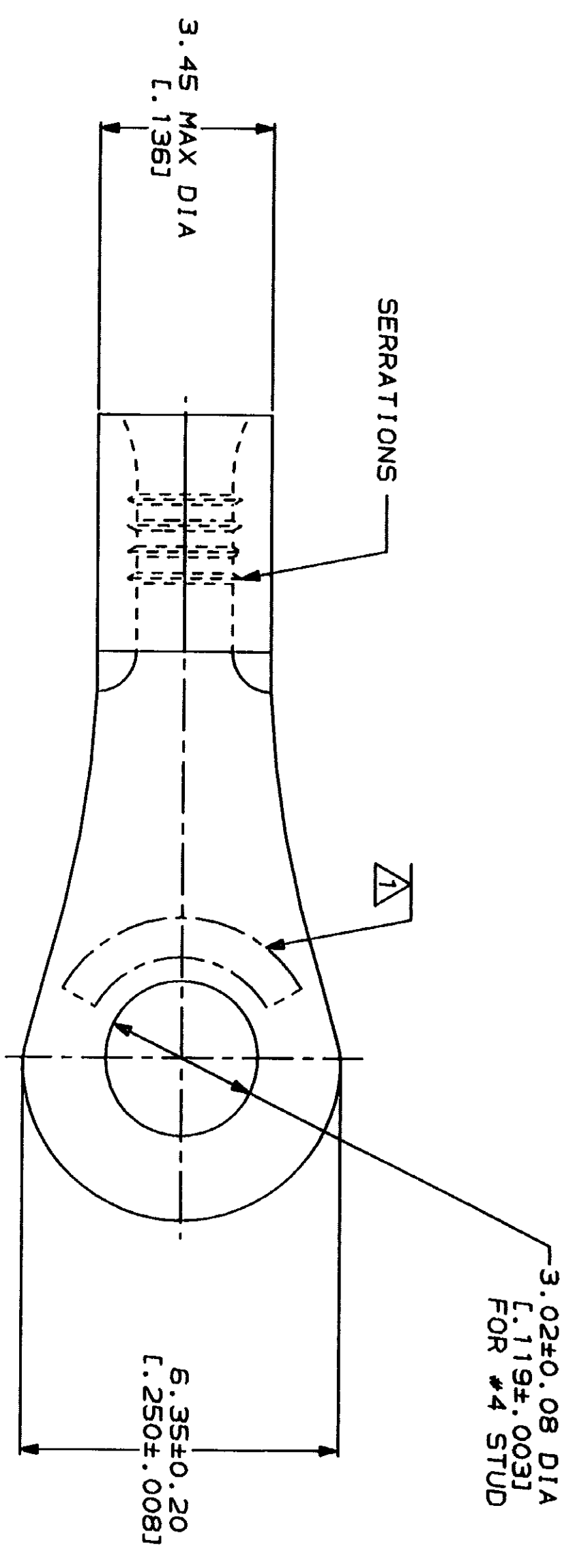
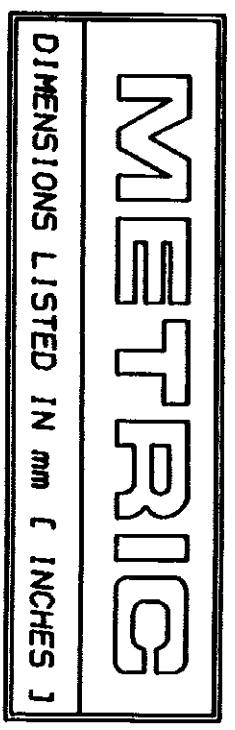
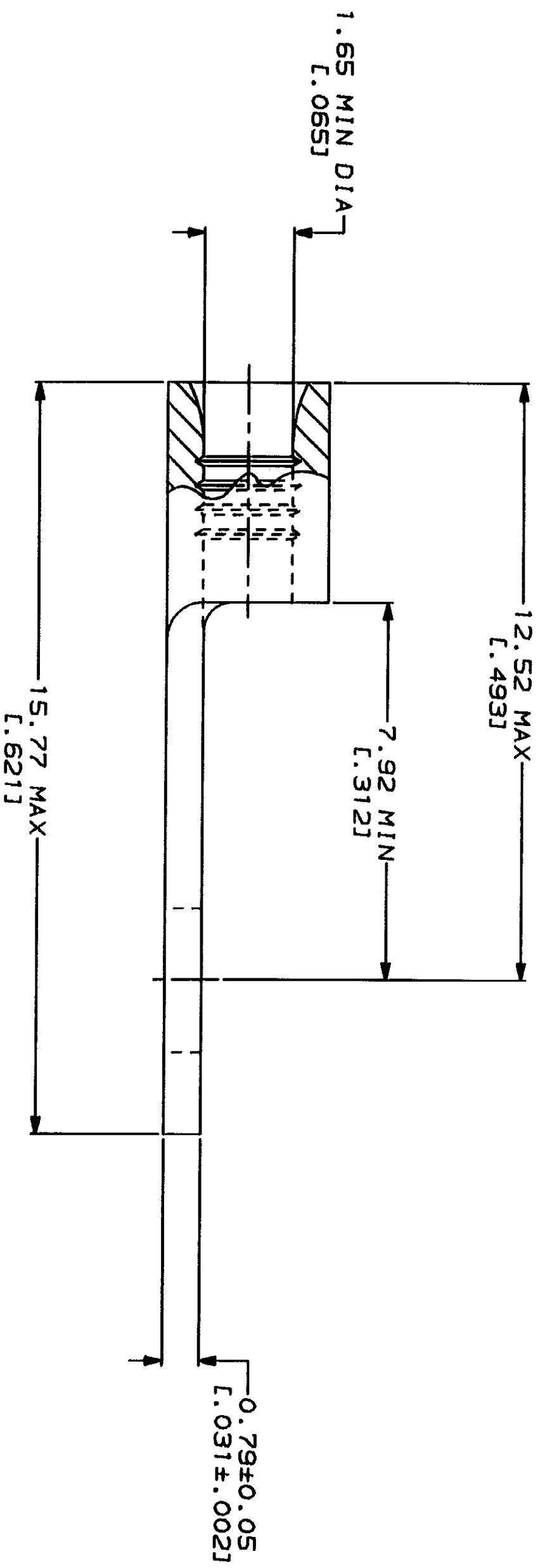


LOC	DIST	REV	DESCRIPTION	DATE	APP'D
G	14	P	REVISED PER 0720-0230-93	2/28/94	DAW



AMP WIRE RANGE 22-16 AWG STRANDED	UL E13288 Listed
LR2189 Certified	MILITARY P/N AND CLASS
NOT CERTIFIED	NOT APPLICABLE

⚠ STAMP AMP 22-18* APPROX AS SHOWN
 22-16 TERMINALS ARE STAMPED 22-18 IN
 ACCORDANCE WITH MILITARY SPECIFICATION
 MIL-T-7928, COMMERCIAL WIRE RANGE IS 22-16



AMP INCORPORATED CUSTOMER SERVICE SYSTEMS		MAX RECOMMENDED OPERATING TEMPERATURE: 170°C MAX	
FOR ADDITIONAL PRODUCT INFORMATION OR COPIES OF DRAWINGS AND TECHNICAL DOCUMENTS	PRODUCT INFORMATION CENTER 1-800-522-6752	VOLTAGE RATING: NOT APPLICABLE	
FOR APPLICATION TOOLING INFORMATION	TOOLING ASSISTANCE CENTER 1-800-722-1111	WIRE CROSS SECTIONAL AREA RANGE: 0.26-1.65mm ² [509-3,260] CIR MILS STRANDED	
FOR ORDER ENTRY	1-800-526-5142	THIS DRAWING IS A GENERALIZED REPRESENTATION FOR REFERENCE ONLY. THE CUSTOMER SHOULD CONSULT THE SPECIFICATIONS FOR THE LATEST REVISION.	

DO NOT SCALE PRINT. UNLESS SPECIFIED DIMENSIONS IN MILLIMETERS TOLERANCES ON: 2 PLC DEC # - 3 PLC DEC # - ANGLES	FINISH TIN PLATE 0.00254 [L.000100] MIN THK PER MIL-T-10727
--	--

DR 2-3-93 TA BRINKMAN	NAME AMP AMP Incorporated Harrisburg, PA 17105-3608
CHK 2-3-93 DA PATTERSON	TERMINAL, RING TONGUE, BUDGET
APPD 2-3-93 DE HILLER	SIZE CAGE CODE 00779
APPD 2-3-93 JL HECKLEY	DRAWING NO 322418
PRODUCT SPEC	SCALE 10:1
APPLICATION SPEC	SHEET 1 OF 1
WEIGHT	

单击下面可查看定价，库存，交付和生命周期等信息

[>>TE Connectivity\(泰科\)](#)