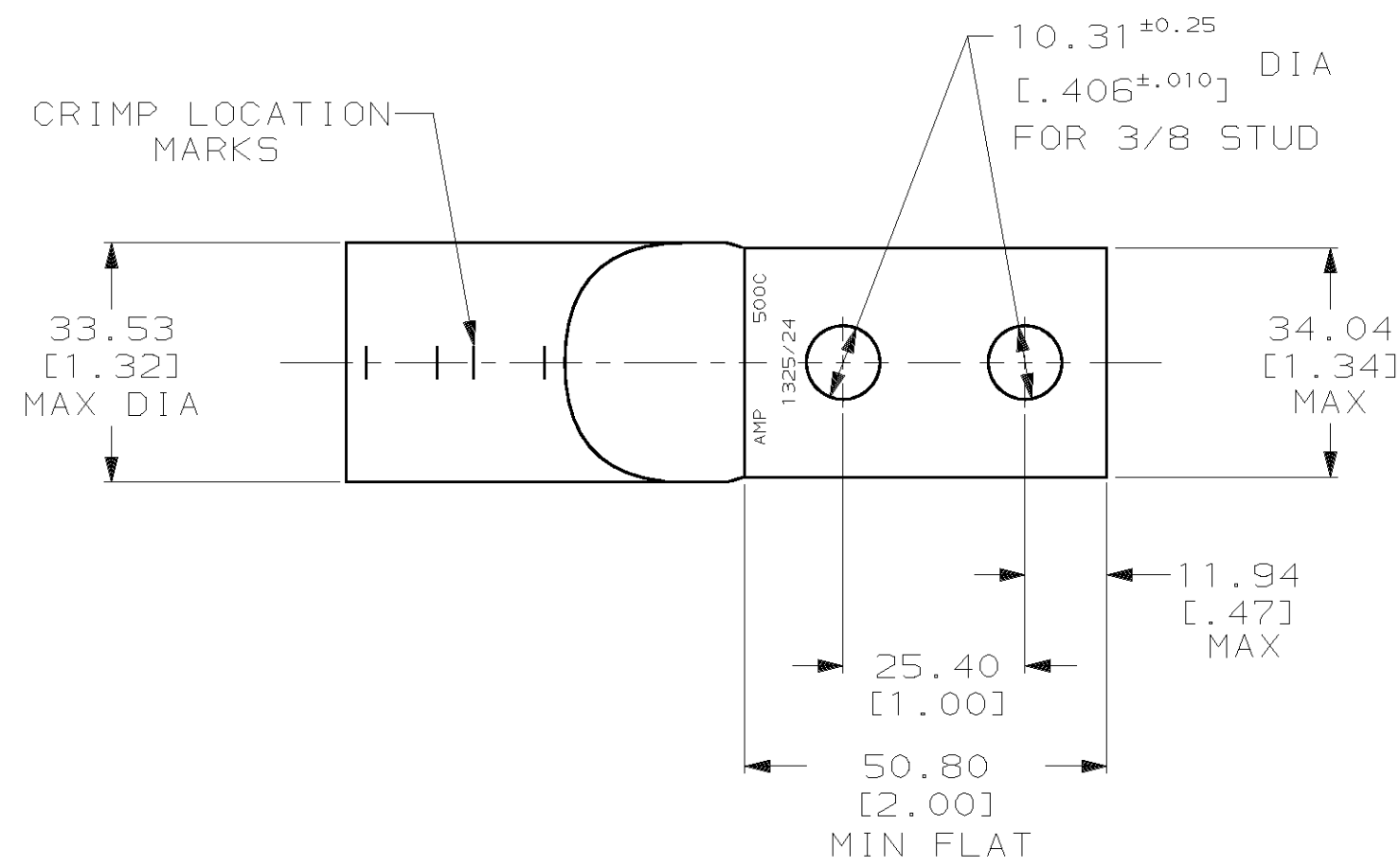
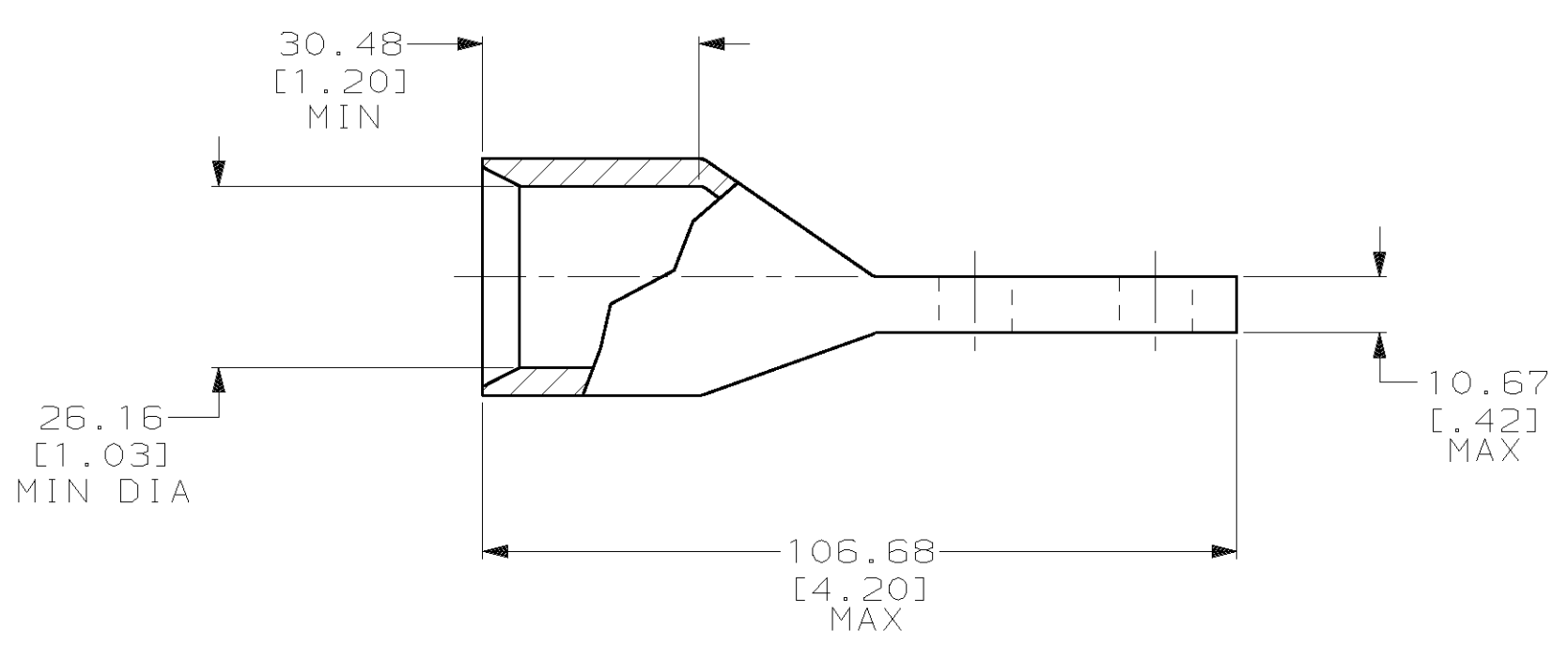


THIS DRAWING IS UNPUBLISHED. RELEASED FOR PUBLICATION ,19 .
 © COPYRIGHT 19 BY AMP INCORPORATED. ALL INTERNATIONAL RIGHTS RESERVED.

LOC		DIST		REVISIONS				DATE	APPD
ZONE	LTR	DESCRIPTION	DATE	APPD					
G	86	P F							
		D	REV PER 063A-0561-01	030CT02	JR MS				



- 1 TIN PL 0.00381 [.000150] MIN THK PER ASTM B-545
- 2 CRIMP DIES: USE P/N 46756-2 (600 MCM)



METRIC

DO NOT SCALE PRINT. UNLESS SPECIFIED DIMENSIONS IN mm [INCHES] TOLERANCES ON : 2 PLC DEC ± 0.51 [.020] 3 PLC DEC ± - ANGLES ± -		DR 2/6/92 DK SCHRUM	AMP Incorporated Harrisburg, PA 17105-3608	
MATERIAL COPPER PER ASTM B-75 ANNEALED		CHK 2/7/92 AJ KAUFMAN		
FINISH		APPD 2/7/92 WJ VOCKROTH	NAME TERMINAL, CENTER LINE TONGUE, AMPOWER™ WIRE SIZE: 500 HD MCM	
		APPD 2/7/92 CR RHOADS	SIZE C 00779	DRAWING NO 55831
WEIGHT 279 GRAMS		APPLICATION SPEC -	SCALE 1:1	SHEET 1 OF 1

55831-2
PART NO

单击下面可查看定价，库存，交付和生命周期等信息

[>>TE Connectivity\(泰科\)](#)