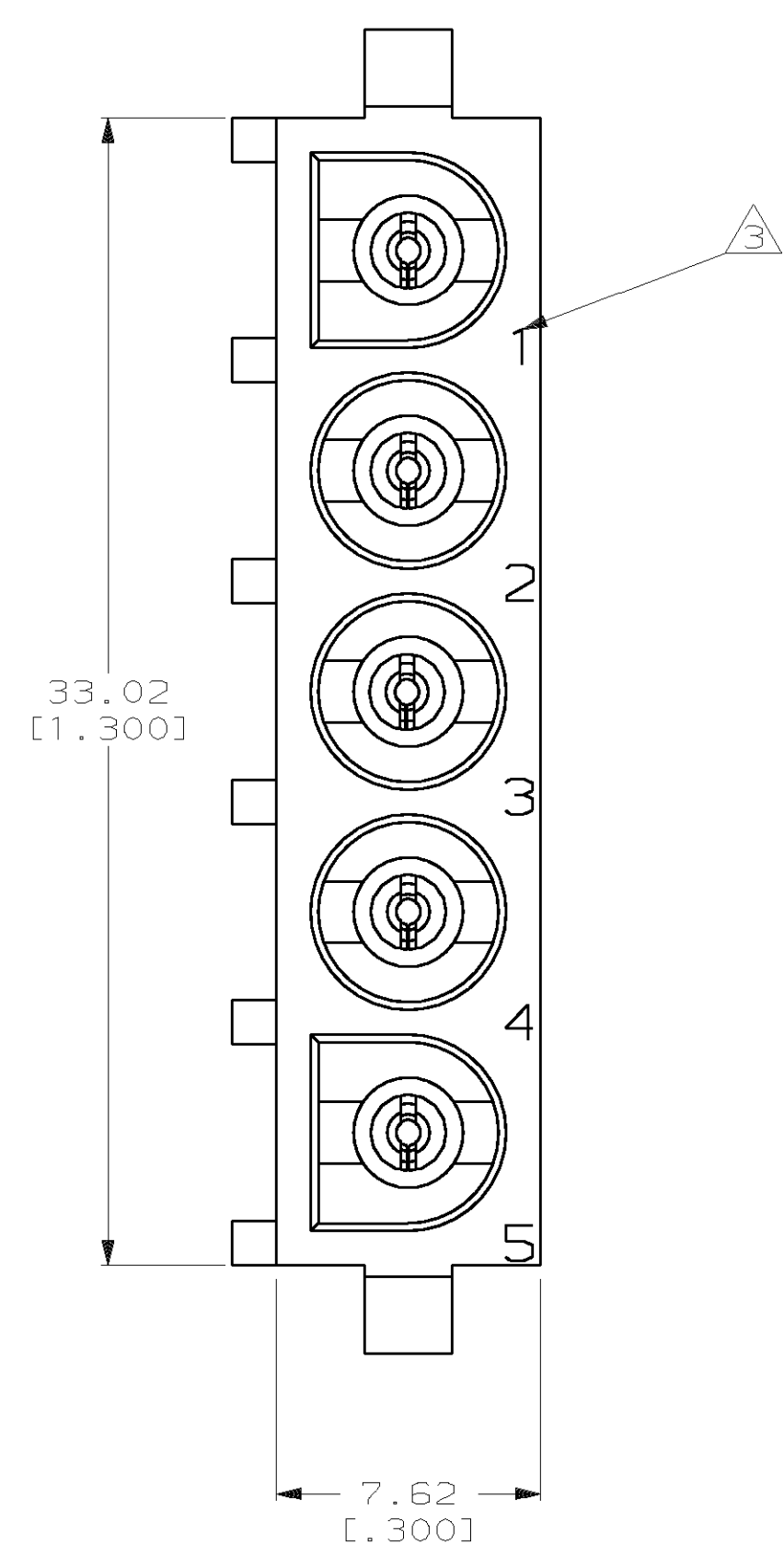
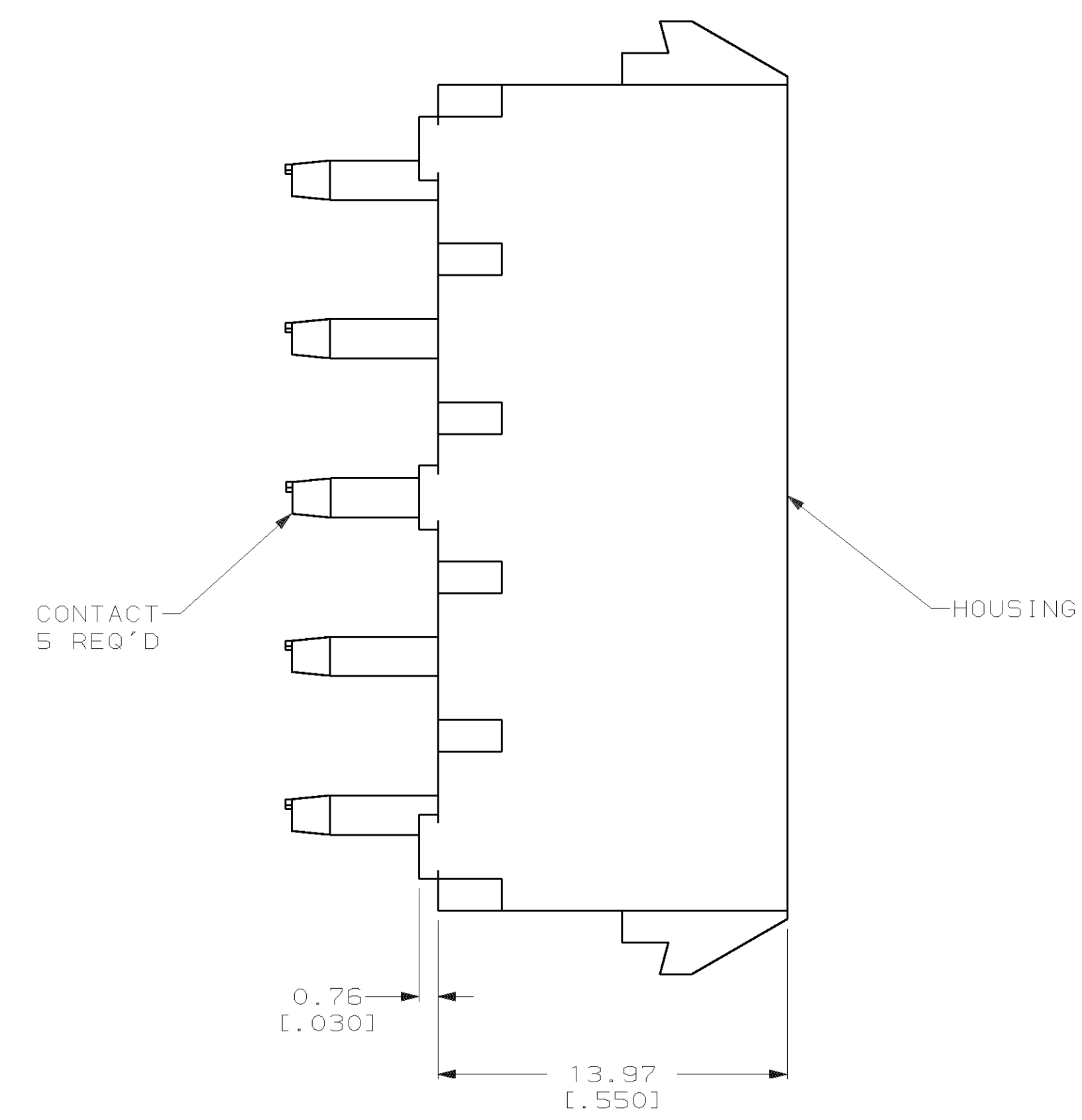
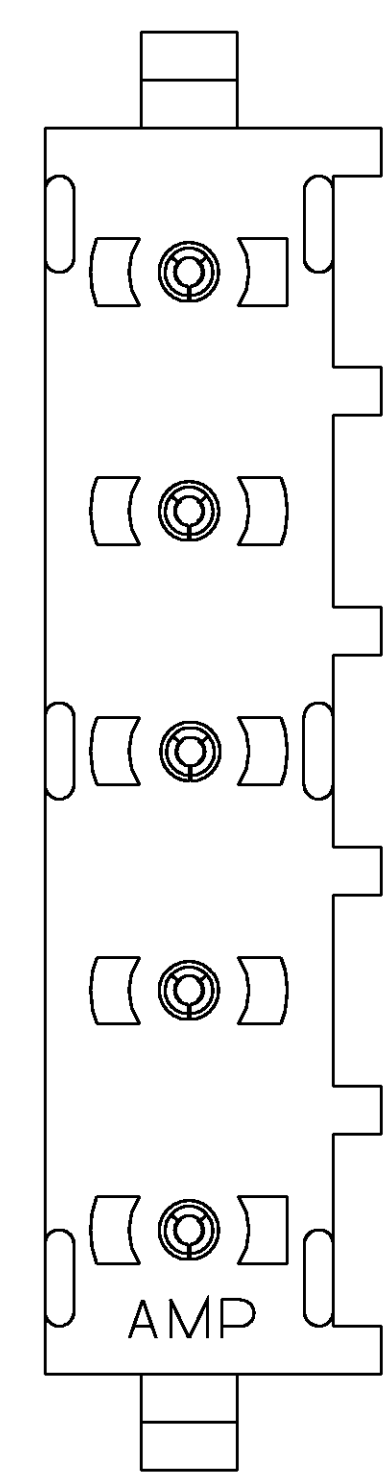
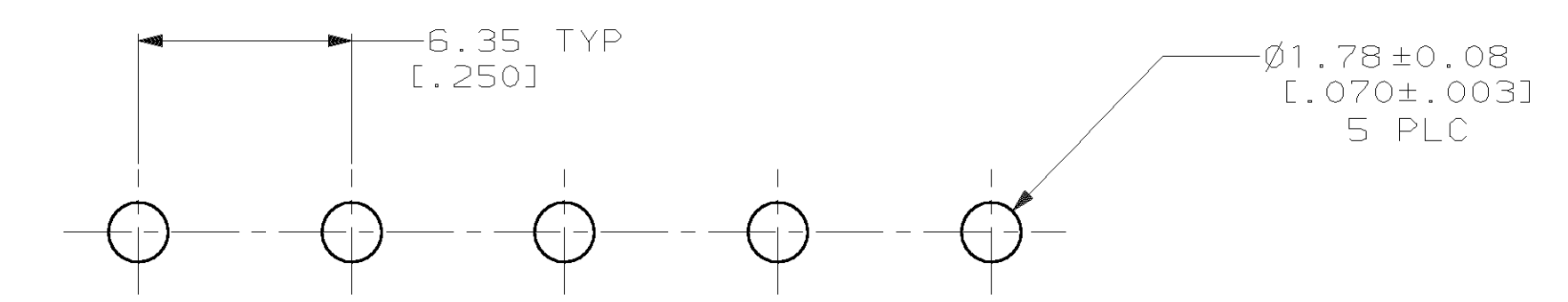


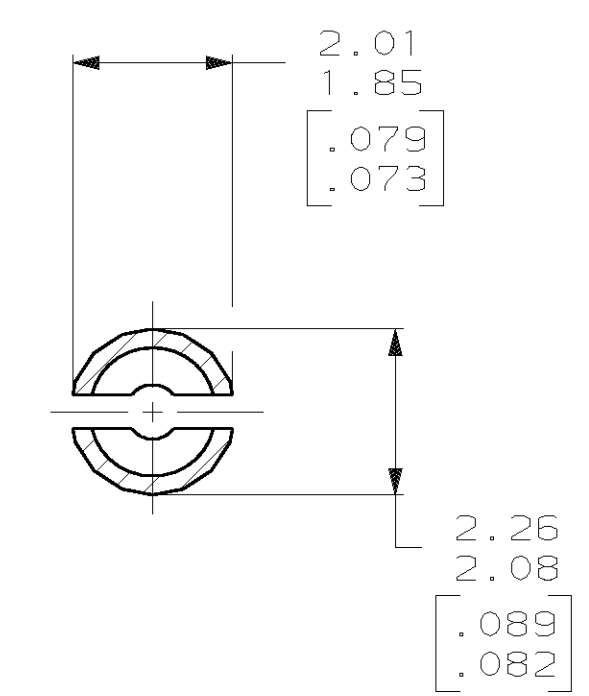
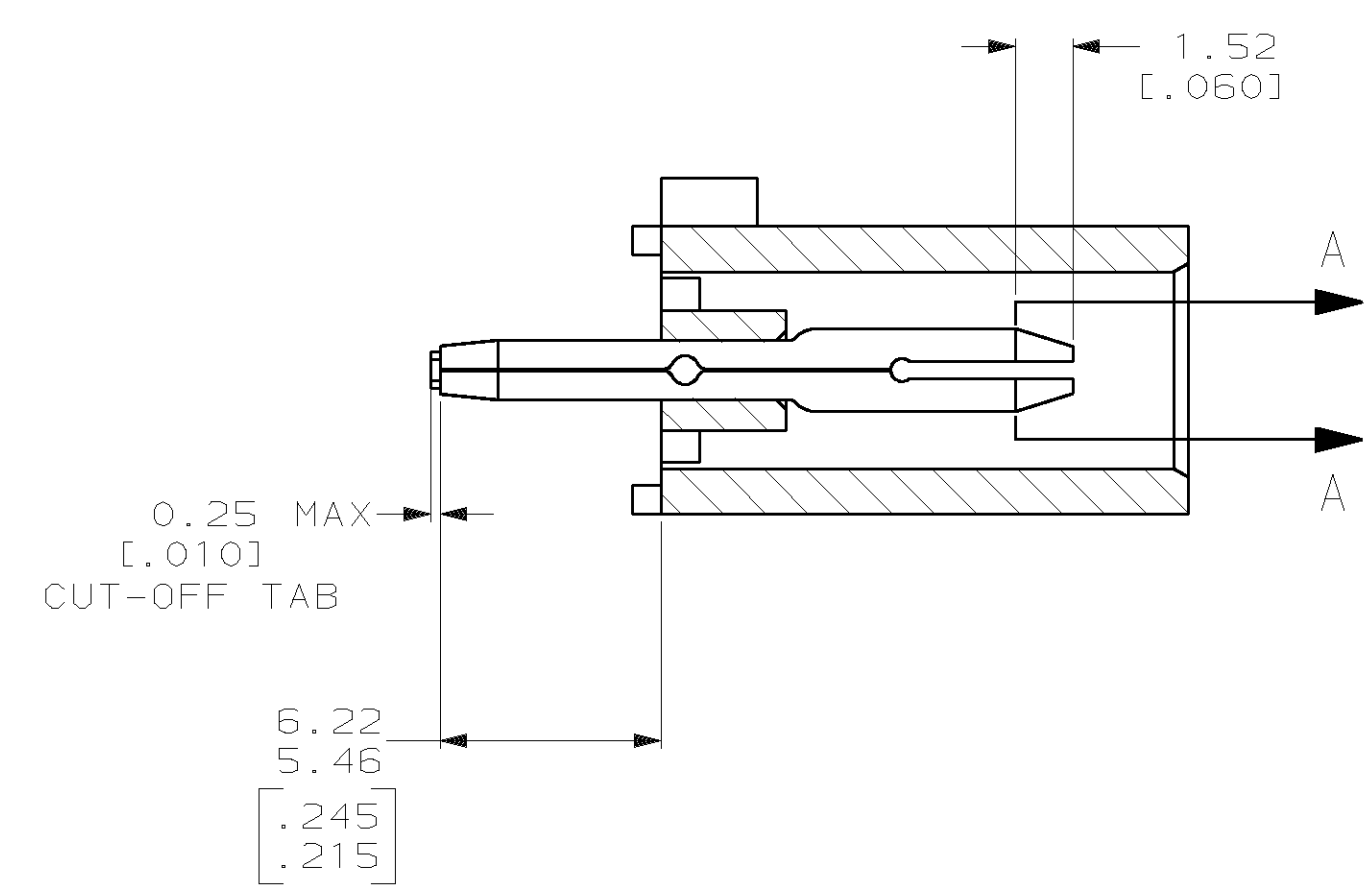
LOC		DIST		P		F		ZONE		LTR		REVISIONS		DATE	APPD
CM	00											H	REV PER EC 0G3B-0449-00	05SEP2000	LM



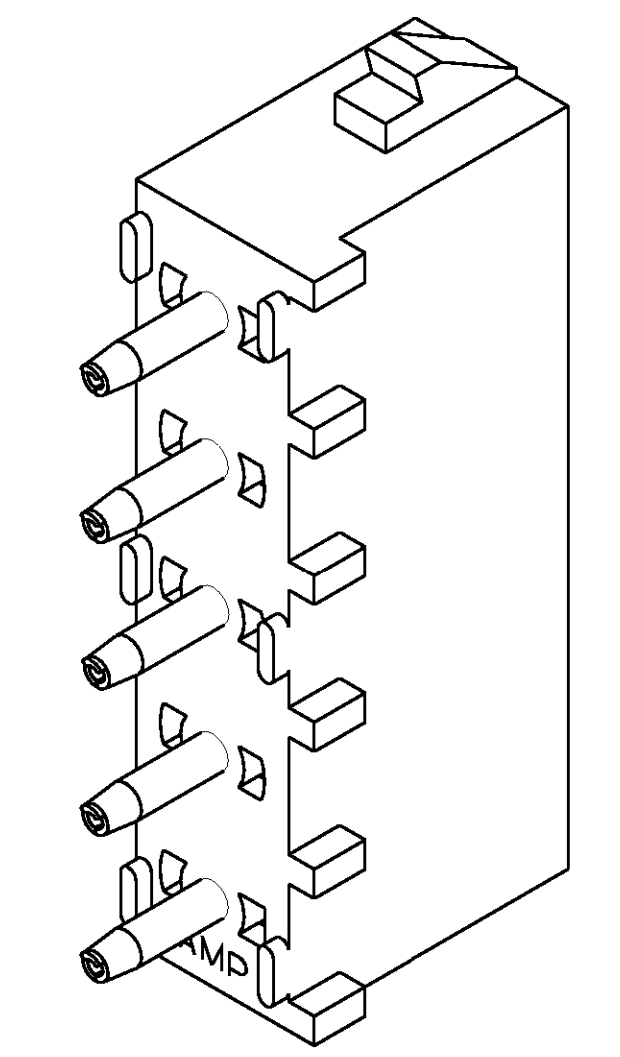
- PARTS COMPLY WITH AMP SOLDERABILITY SPECIFICATION 109-11-3.
- CIRCUIT IDENTIFICATION CHARACTERS ARE ADJACENT TO THE INDICATED CAVITIES, BUT LOCATION AND ORIENTATION MAY DIFFER FROM PRINT.
- DIMENSIONS IN BRACKETS ARE IN INCHES.



RECOMMENDED MOUNTING HOLE PATTERN FOR 3.18 [.125] THICK P.C. BOARD



SECTION A-A
SCALE 10:1



3-DIMENSIONAL MODEL NTS

METRIC

THIS DRAWING IS A CONTROLLED DOCUMENT FOR AMP INCORPORATED. IT IS SUBJECT TO CHANGE AND THE CONTROLLING ENGINEERING ORGANIZATION SHOULD BE CONTACTED FOR THE LATEST REVISION.

PHOSPHOR BRONZE, PRE-TIN		NYLON, UL94V-2, NATURAL		770111-1	
PIN CONTACT MATERIAL AND FINISH		HOUSING MATERIAL		PART NO	
DO NOT SCALE PRINT. UNLESS SPECIFIED DIMENSIONS IN mm [INCHES] TOLERANCES ON: 2 PLC DEC ±0.13 [.005] 3 PLC DEC ± - ANGLES ± -		28-JAN-1999 B. LEWIS CHK 28-JAN-1999 R. SWING APPD 28-JAN-1999 M. TRULL APPD 28-JAN-1999 M. TRULL		AMP AMP Incorporated Harrisburg, PA 17105-3608	
SEE TABLE		PRODUCT SPEC -		NAME PIN HEADER ASSEMBLY, 5 CIRCUIT, UNIVERSAL MATE-N-LOK™	
SEE TABLE		APPLICATION SPEC -		SIZE D	CAGE CODE 00779
		WEIGHT -		DRAWING NO G-770111	
				SCALE 5:1	SHEET 1 OF 1

单击下面可查看定价，库存，交付和生命周期等信息

[>>TE Connectivity\(泰科\)](#)