

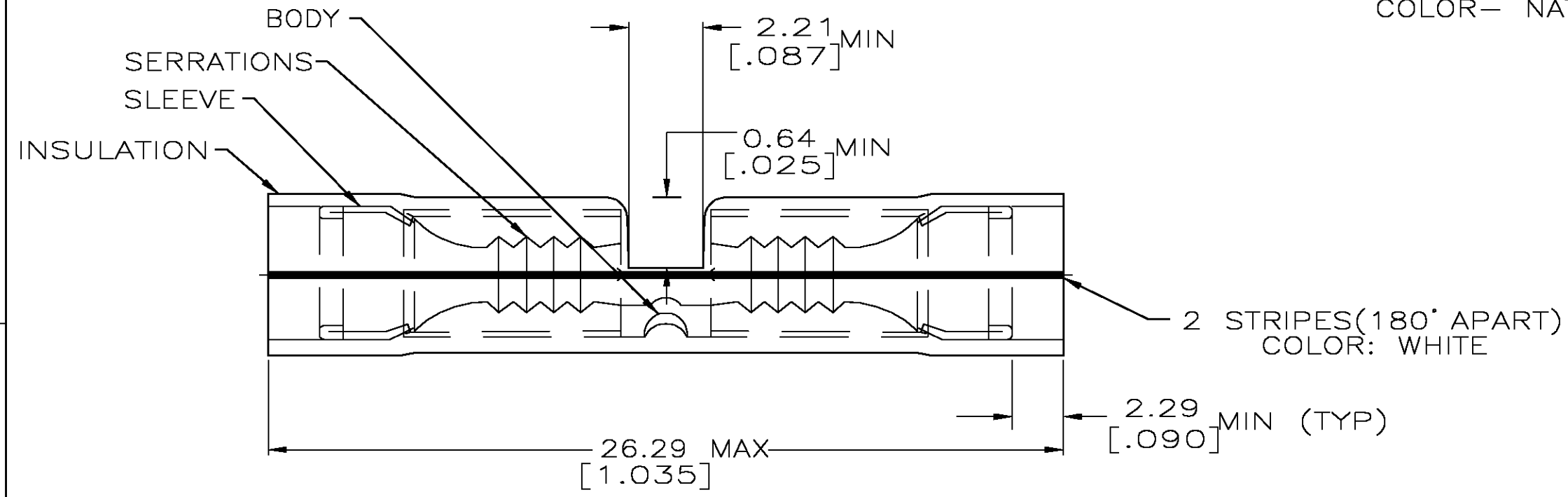
THIS DRAWING IS UNPUBLISHED. RELEASED FOR PUBLICATION
 © COPYRIGHT BY TYCO ELECTRONICS CORPORATION. ALL RIGHTS RESERVED.

| LOC | DIST | REVISIONS | | | |
|-----|------|----------------------|---------|-----|------|
| P | LTR | DESCRIPTION | DATE | DWN | APVD |
| G | 14 | | | | |
| | K | REV PER 0G3A-0582-04 | 31AUG04 | JR | TM |

AMP
WIRE RANGE

24-20 AWG
STRANDED

- 1 WIRE INSULATION DIA 1.02 [.040] TO 2.54 [.100].
- △2 FINISH: BODY AND SLEEVE: TIN/LEAD (93-7) PLATE PER ASTM B545. (3% MIN LEAD CONTENT)
- △3 MATERIAL: BODY AND SLEEVE, COPPER PER ASTM B152
INSULATION: PVF²
COLOR- NATURAL



| | | | |
|---|------|--------------|----------|
| M7928/6-2 CLASS 2 | 2500 | ON TAPE | 53547-2 |
| M7928/6-2 CLASS 1 & 2 | 1000 | LOOSE PIECE | 53547-1 |
| MILITARY PART NUMBER & CLASS PER MIL-T-7928 | QTY | PACKAGE TYPE | PART NO. |

AMP INCORPORATED
CUSTOMER SERVICE SYSTEMS

FOR ADDITIONAL PRODUCT INFORMATION OR COPIES OF DRAWINGS AND TECHNICAL DOCUMENTS
 PRODUCT INFORMATION CENTER
 1-800-522-6752

FOR APPLICATION TOOLING ASSISTANCE CENTER
 TOOLING INFORMATION
 1-800-722-1111

FOR ORDER ENTRY
 1-800-526-5142

MAX RECOMMENDED OPERATING TEMPERATURE:
150°C

VOLTAGE RATING:
-

CIRCULAR MIL AREA:
0.16-0.65mm² [202-1,290] STRANDED

THIS DRAWING IS A CONTROLLED DOCUMENT FOR AMP INCORPORATED. IT IS SUBJECT TO CHANGE AND THE CONTROLLING ENGINEERING ORGANIZATION SHOULD BE CONTACTED FOR THE LATEST REVISION.

THIS DRAWING IS A CONTROLLED DOCUMENT.

DIMENSIONS: MM [INCHES]

TOLERANCES UNLESS OTHERWISE SPECIFIED:

| | |
|--------|---------------|
| 0 PLC | ± - |
| 1 PLC | ± - |
| 2 PLC | ± 0.20 [.008] |
| 3 PLC | ± - |
| 4 PLC | ± - |
| ANGLES | ± - |
| FINISH | △2 |

MATERIAL: - △3

DWN: S.S. GOULDEN 9-28-93
 CHK: R. HERSEY 9-28-93
 APVD: M ELLIS 9-28-93

tyco Electronics Tyco Electronics Corporation
 Harrisburg, Pa 17105-3608

NAME: SPLICE, BUTT, PVF², P.I.D.G.
 WIRE SIZE: 24-20 AWG

PRODUCT SPEC: 108-11023

APPLICATION SPEC: -

SIZE: A3 CAGE CODE: 00779 DRAWING NO: C-53547 RESTRICTED TO: -

WEIGHT: -

CUSTOMER DRAWING SCALE: 1:1 SHEET: 1 OF 1 REV: K

单击下面可查看定价，库存，交付和生命周期等信息

[>>TE Connectivity\(泰科\)](#)