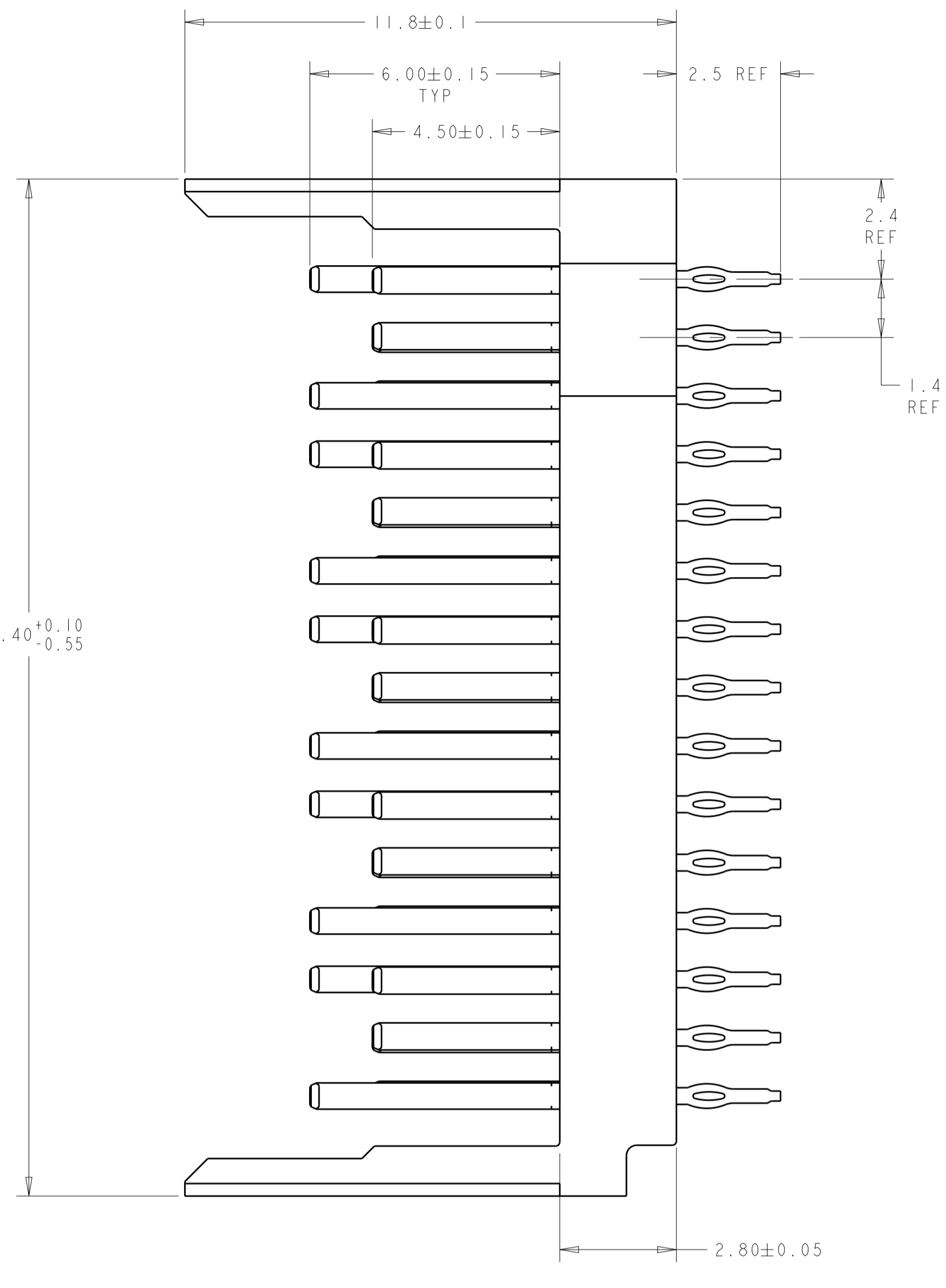
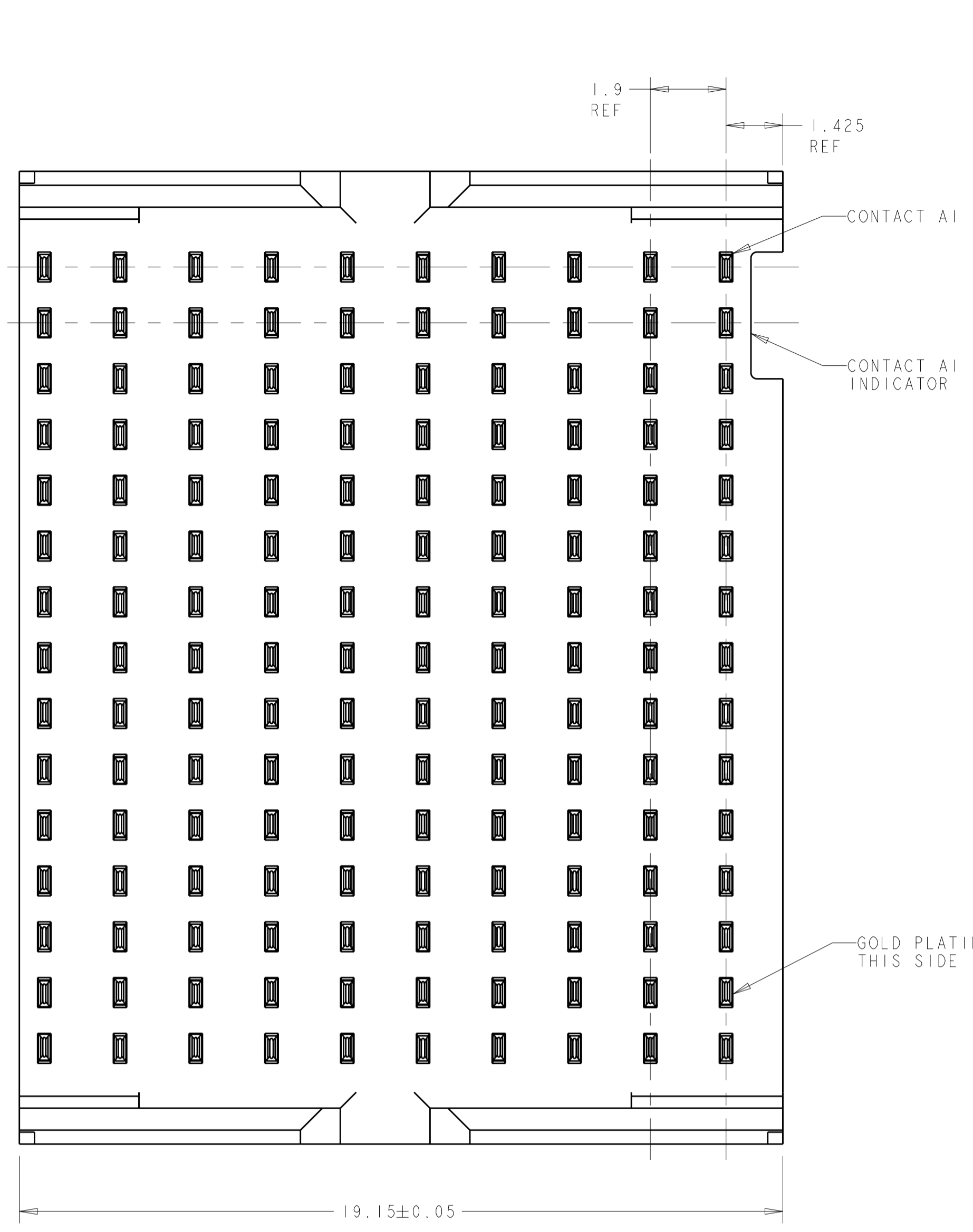
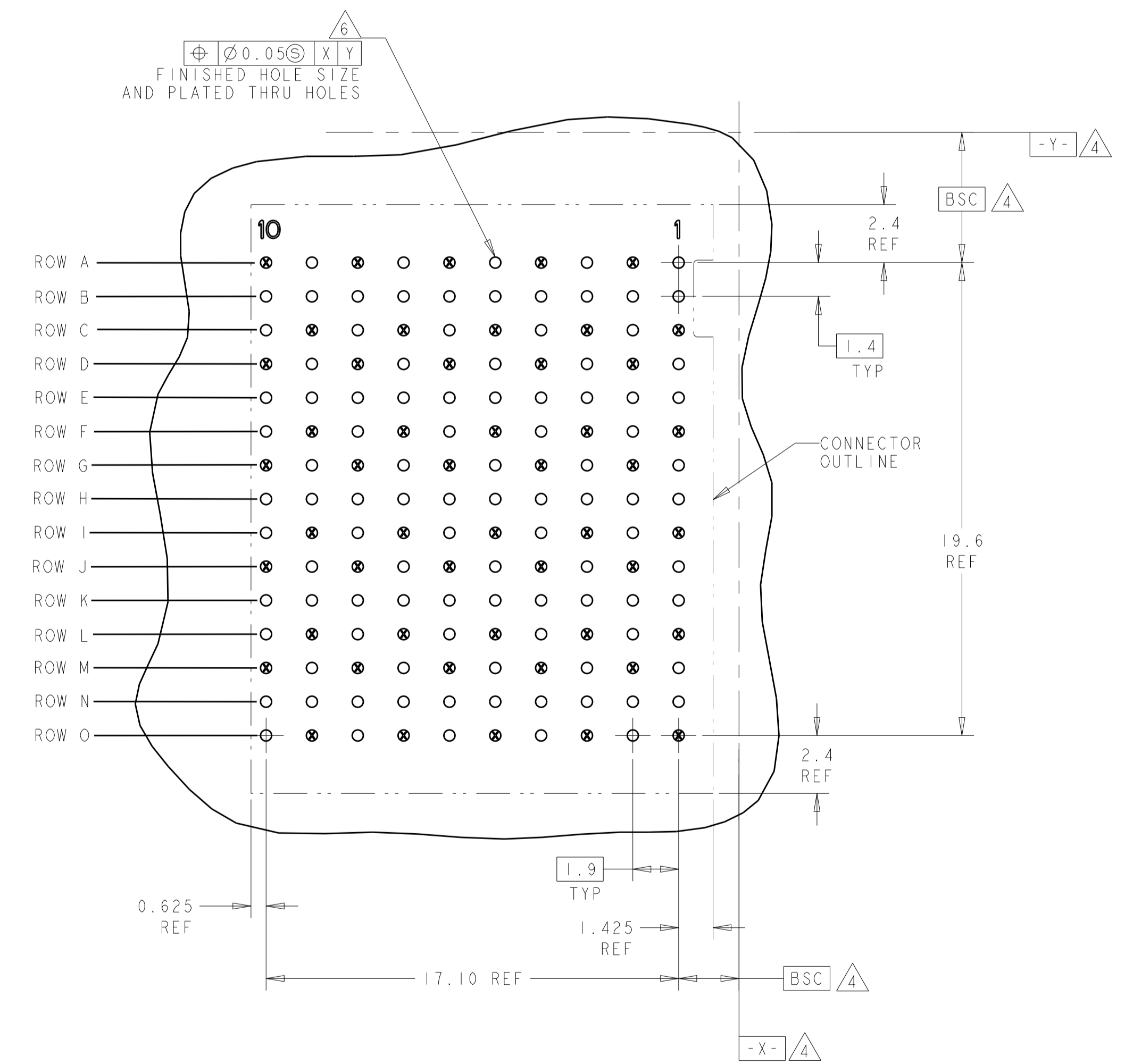


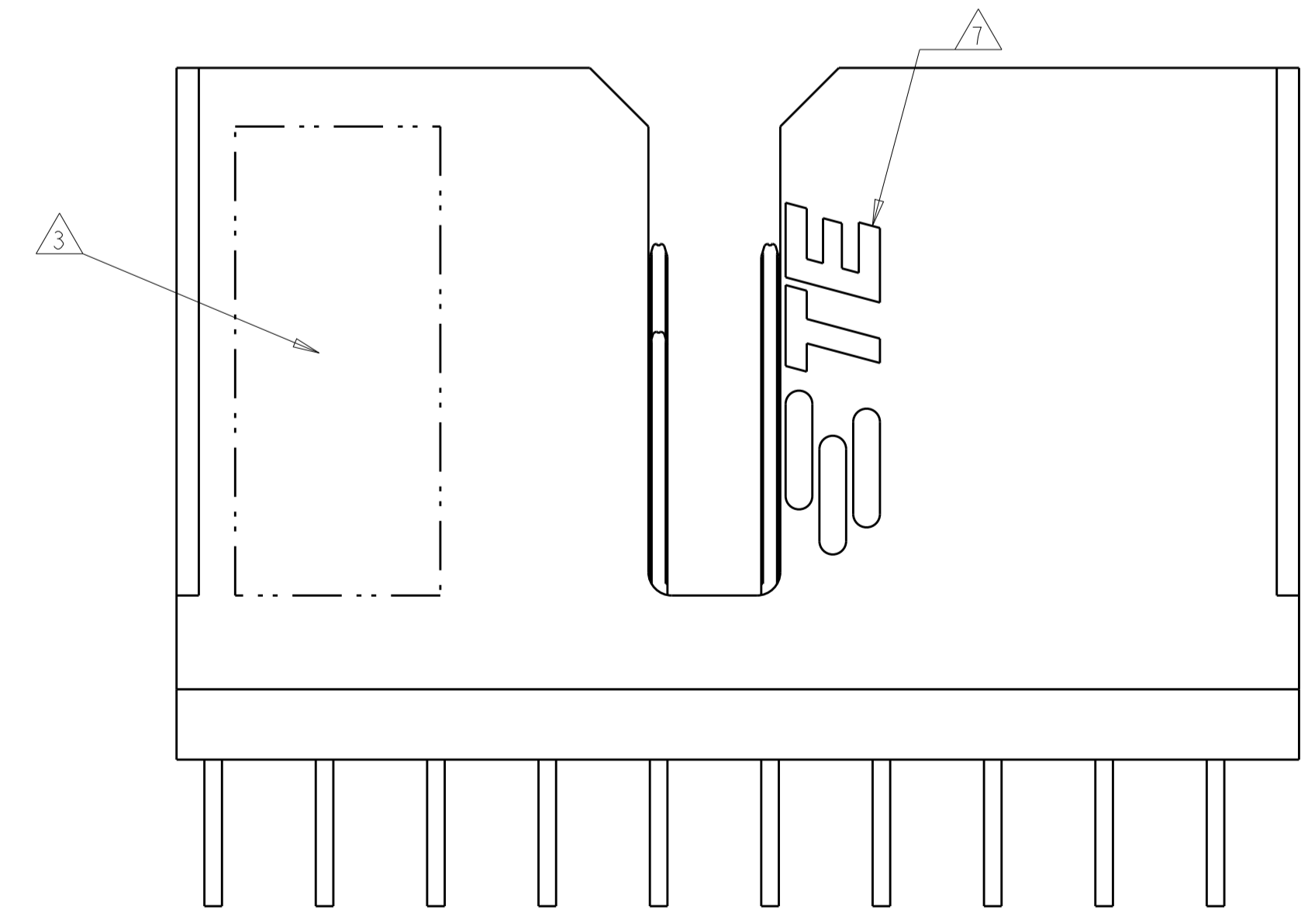
LOC		DIST		REVISIONS			
P	LTN	DESCRIPTION	DATE	DMN	APVD		
F		REVISED PER ECO-13-010626	31JUL2013	KH	RP		
G		REVISED PER ECO-19-009248	04JUL2019	AP	SY		



- 1 MATERIAL:  
CONTACT - PHOS BRONZE  
HOUSING - LCP, UL 94V-0, COLOR - BLACK
- 2 FINISH:  
CONTACT AREA FINISH CONFORMS TO THE REQUIREMENTS OF TE PRODUCT SPECIFICATION 108-2303; BASED ON TELCORDIA GR-1217-CORE FOR SYSTEM QUALITY LEVEL III, APPLICATIONS IN CONTROLLED ENVIRONMENTS (CENTRAL OFFICE). COMPLIANT PIN AREA- 0.5µm MIN MATTE TIN OVER 1.27µm MIN NICKEL.
- 3 CONNECTOR MARKED WITH PART NUMBER, DATE CODE AND STANDARD IN APPROXIMATE AREA SHOWN
- 4 DATUMS AND BASIC DIMENSIONS ESTABLISHED BY CUSTOMER.
- 5 CONTACT AREA LUBRICATED WITH BELLCORE APPROVED LUBRICANT, TECHNICAL REFERENCE GR-1217-CORE, ISSUE 1, NOVEMBER 1995.
- 6 REFERENCE APPLICATION SPEC 114-13202 FOR RECOMMENDED PLATED THRU HOLE DIAMETER AND PLATING THICKNESSES.
- 7 SHOWN LOGO OR OTHER TE OWNED LOGOS IN APPROXIMATE AREA.



○ = SIGNAL  
 ⊗ = GROUND  
 RECOMMENDED PC BOARD  
 LAYOUT BACKPLANE,  
 COMPONENT SIDE SHOWN  
 SCALE 6:1



1934325-1  
 PART NUMBER

THIS DRAWING IS A CONTROLLED DOCUMENT.		DMN L. SIPE 21JUL2007	TE Connectivity
DIMENSIONS:		CHK W. DAVIS 21JUL2007	
mm	TOLERANCES UNLESS OTHERWISE SPECIFIED:	APVD P. PATTERSON 25JAN2008	NAME HEADER ASSEMBLY, OPEN ENDED, 5 PAIR, 10 COLUMN TinMan
0 PLC ± 1 PLC ± 2 PLC ± 3 PLC ± 4 PLC ± ANGLES ±	FINISH 1 ± 2 ±	APPLICATION SPEC	SIZE A100779C=1934325
MATERIAL	FINISH	WEIGHT	RESTRICTED TO
CUSTOMER DRAWING		SCALE 10:1	SHEET 1 OF 1 REV G

单击下面可查看定价，库存，交付和生命周期等信息

[>>TE Connectivity\(泰科\)](#)