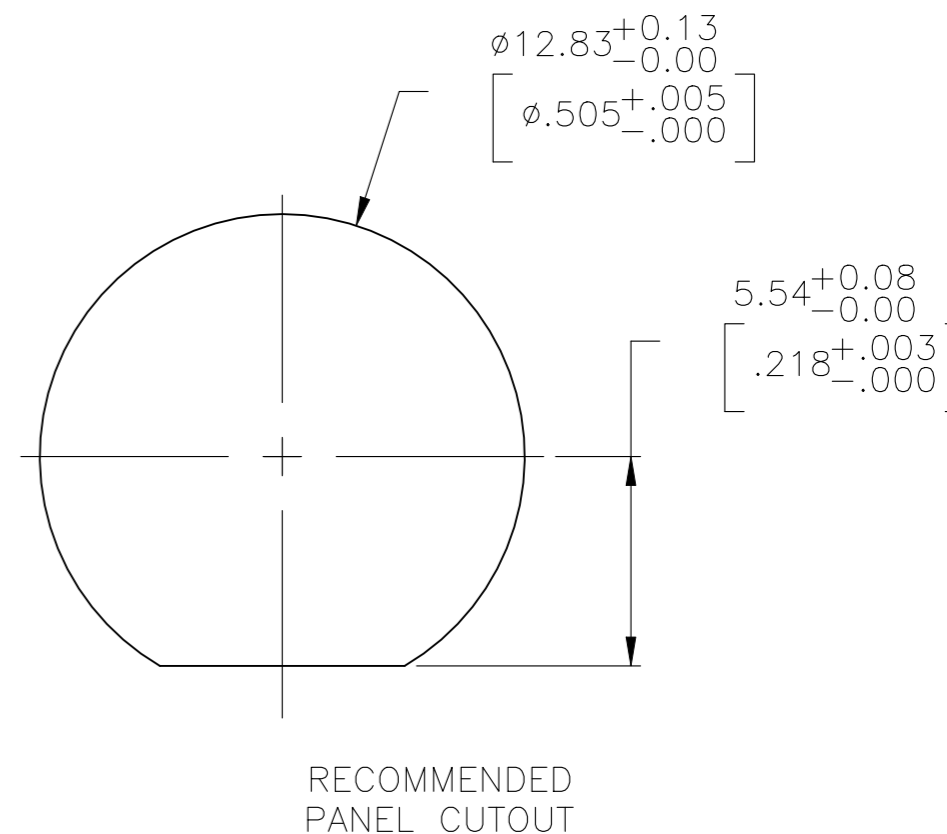
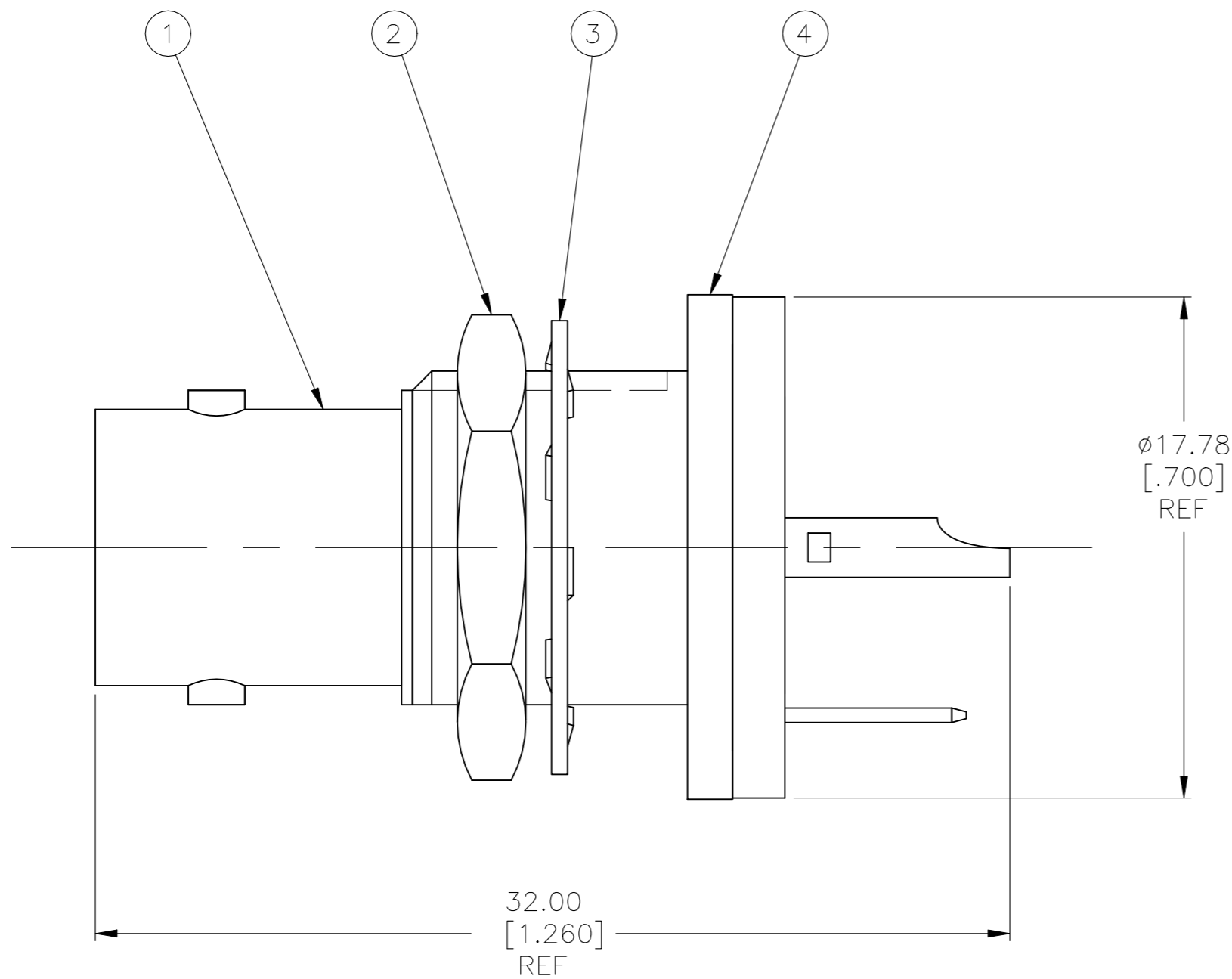


REVISIONS

P	LTR	DESCRIPTION	DATE	DWN	APVD
	A1	REVISED PER ECN-21-122181	26OCT2021	RZ	WK

1. PANEL THICKNESS: 6.35 [.250] MAX.



1	GASKET	227431-1	4
1	LOCKWASHER	1-329632-2	3
1	JAM NUT	1-329631-2	2
1	SOLDER RECPT.	227427-1	1
-1 QTY	DESCRIPTION	PART NUMBER	ITEM

THIS DRAWING IS A CONTROLLED DOCUMENT.		DWN J. HAVENER 12OCT2005	STE TE Connectivity		
DIMENSIONS: mm [INCHES]		CHK J. HAVENER 12OCT2005			
TOLERANCES UNLESS OTHERWISE SPECIFIED:		APVD J. LIPPERT 12OCT2005	NAME SOLDER RECEPTACLE, SEALED, JACK, SERIES BNC		
0 PLC ± -		PRODUCT SPEC	SIZE		
1 PLC ± -		APPLICATION SPEC	CAGE CODE		
2 PLC ± -		WEIGHT	DRAWING NO		
3 PLC ± -		0.000000	RESTRICTED TO		
4 PLC ± -			A3 00779 C-5227426		
ANGLES ± -			SCALE		
FINISH			5:1		
MATERIAL			SHEET		
			1 OF 1		
			REV		
			A1		

单击下面可查看定价，库存，交付和生命周期等信息

[>>TE Connectivity\(泰科\)](#)