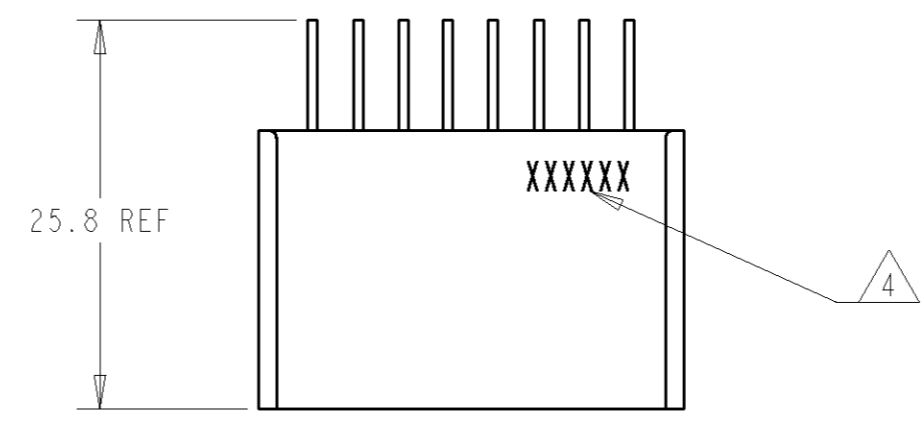
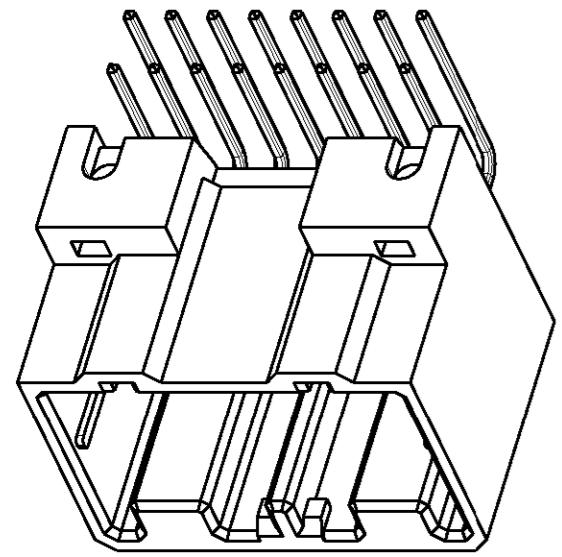
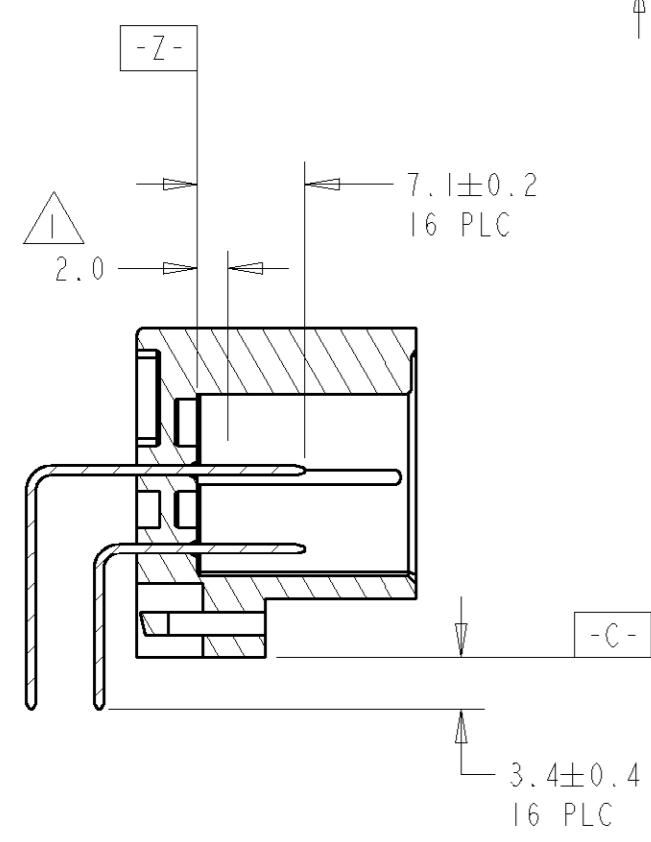
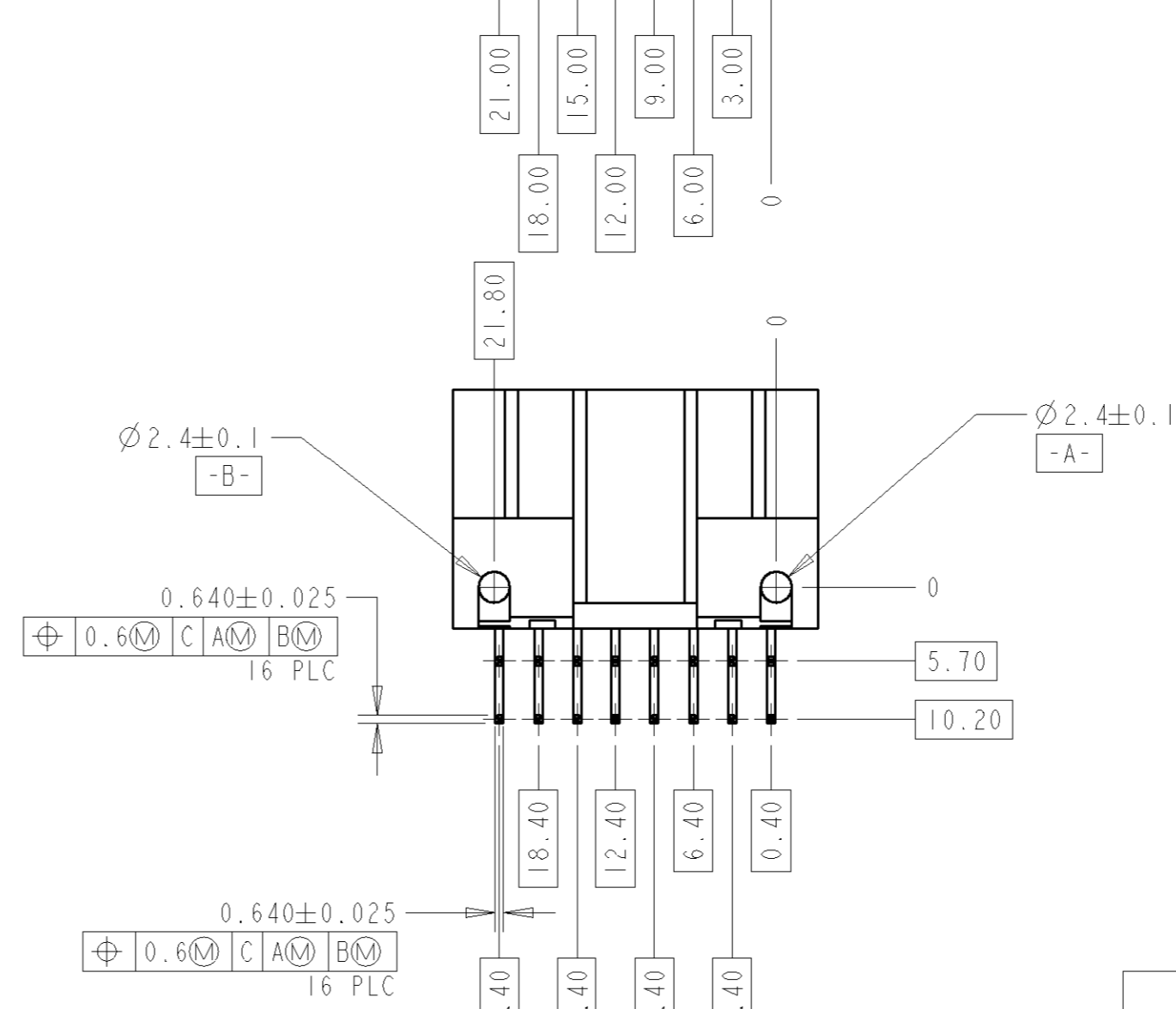
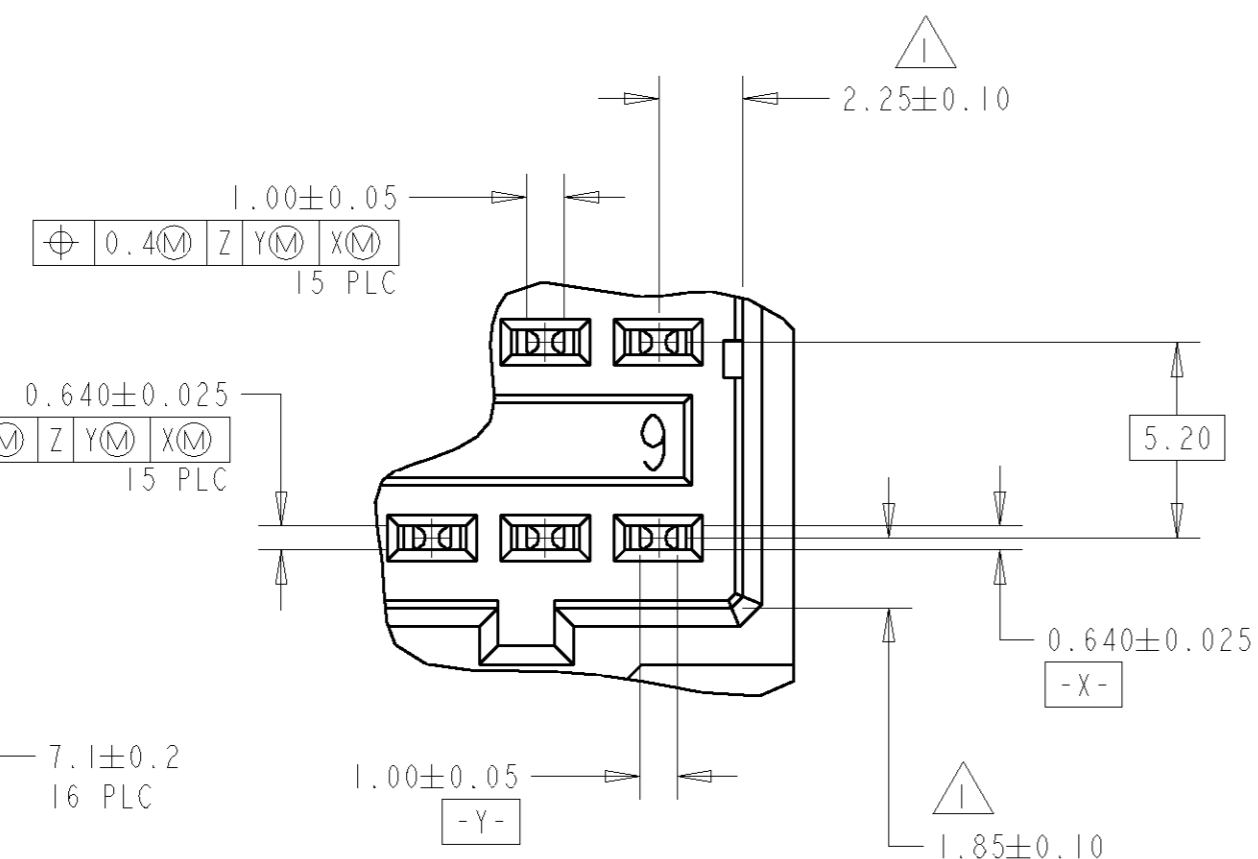
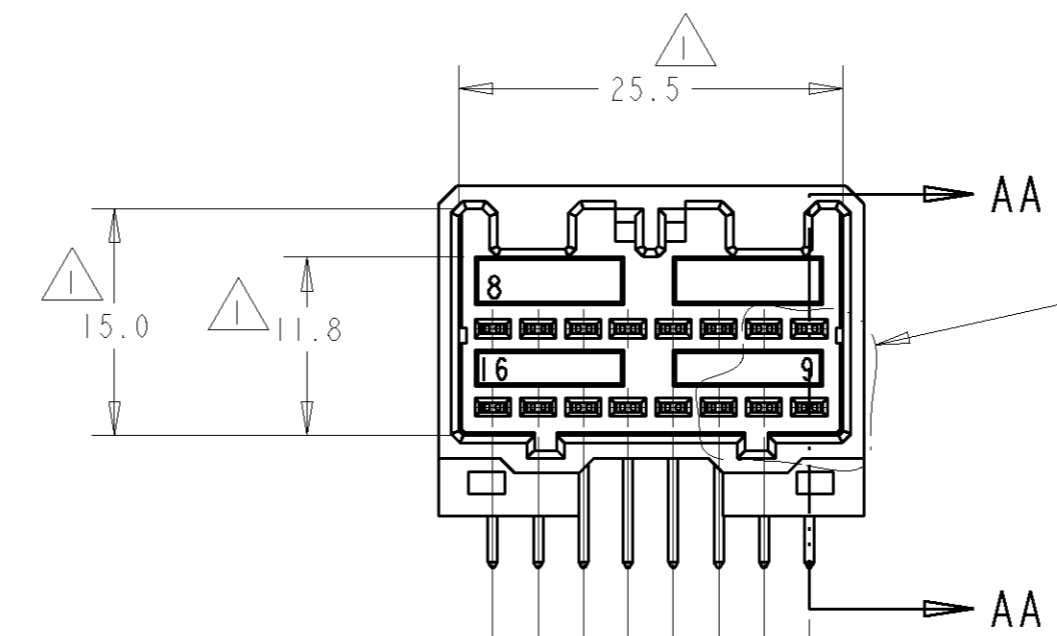
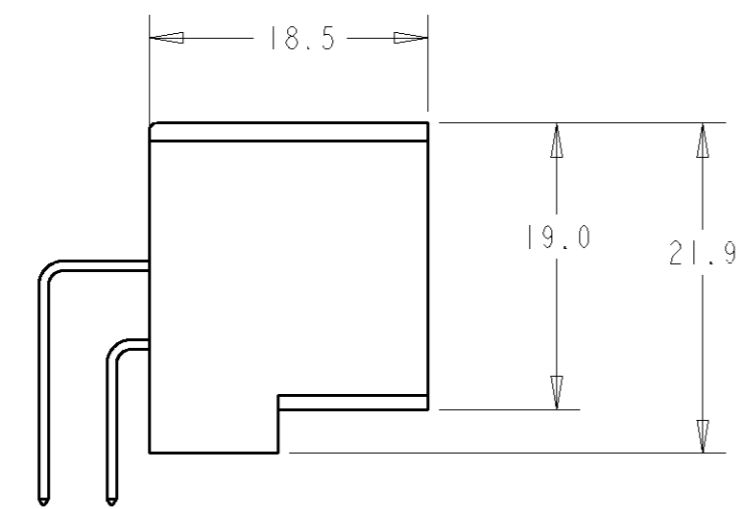
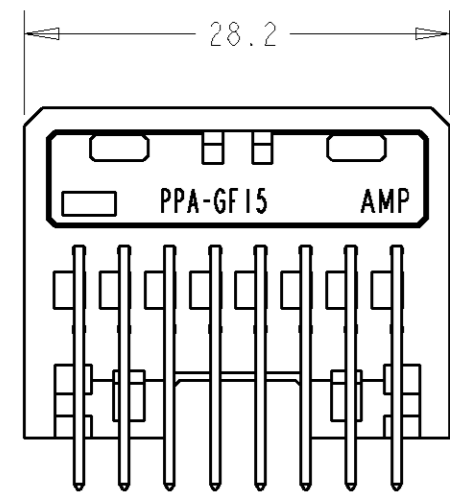


THIS DRAWING IS UNPUBLISHED. RELEASED FOR PUBLICATION .19
 © COPYRIGHT BY AMP INCORPORATED. ALL RIGHTS RESERVED.

LOC	DIST	REVISIONS					
		P	LTR	DESCRIPTION	DATE	DWN	APVD
FX	00	0		RELEASED PER EC 0K80-0150-99	16NOV99	JRB	RAS
		01		REVISED PER EC 0K80-0171-04	12MAY2004	DLD	RMC



- 1 DIMENSION MUST BE HELD BETWEEN -Z- AND 2mm FROM -Z- (EXCLUDING CHAMFER)
- 2 DATUMS AND BASIC DIMENSIONS ESTABLISHED BY CUSTOMER
- 3. THE MATING PLUG PART NUMBER IS 917983
- 4 DATE CODE
- 5. RECOMMENDED MOUNTING SCREW, 3mm DIA., 6mm LENGTH MAX., PAN HEAD, CLASS 2 TAPPING SCREW, SPECIFIED IN JIS B1115, B1122. MAXIMUM TORQUE: 4kg-cm



DETAIL AA
SCALE 5:1

SECTION AA-AA
(.040 TABS)

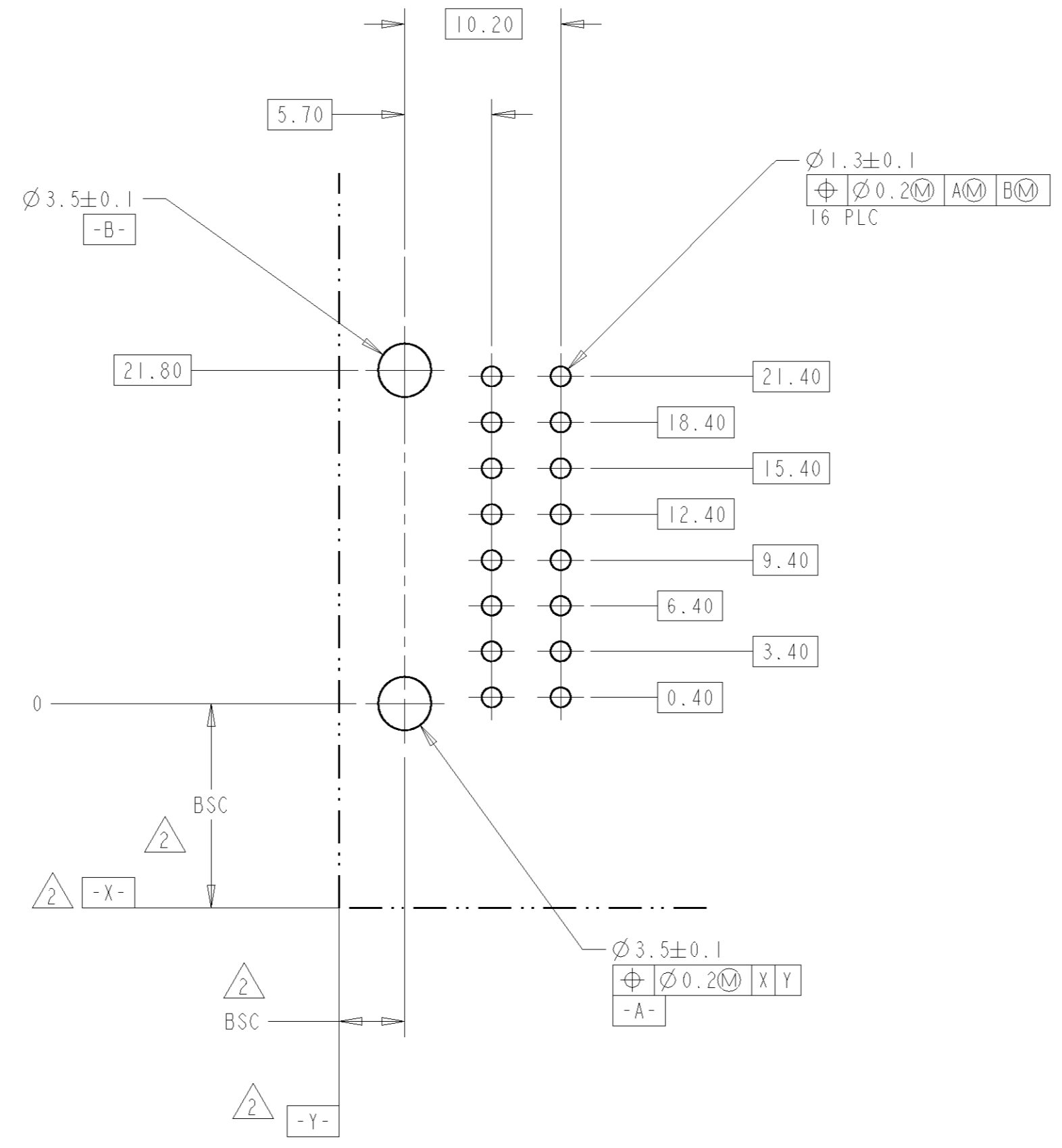
DIMENSIONS: mm		TOLERANCES UNLESS OTHERWISE SPECIFIED:	
0 PLC	±	0 PLC	±
1 PLC	±0.3	1 PLC	±0.3
2 PLC	±0.15	2 PLC	±0.15
3 PLC	±	3 PLC	±
4 PLC	±	4 PLC	±
ANGLES	±°	ANGLES	±°
FINISH	SEE TABLE	FINISH	SEE TABLE

POST TIN	BRASS	BLACK	HTN	9-638264-2	
CONTACT FINISH	CONTACT MATERIAL	COLOR	HOUSING MATERIAL	PART NUMBER	
DWN Y. PETERSON	11 JUN 99	AMP Tyco Electronics Harrisburg, PA 17105-3608 NAME ASSEMBLY, HORIZONTAL MOUNT, 16 POSITION, 040 HYBRID			
CHK R. SMITH	11 JUN 99				
APVD R. SMITH	11 JUN 99				
PRODUCT SPEC	108-5342				
APPLICATION SPEC	-	SIZE	CAGE CODE	DRAWING NO	RESTRICTED TO
WEIGHT	7.16g	A2	00779	C-638264	-
CUSTOMER DRAWING		SCALE	SHEET	OF	REV
		2:1	1	2	01

638264

THIS DRAWING IS UNPUBLISHED. RELEASED FOR PUBLICATION .19
 BY AMP INCORPORATED. ALL RIGHTS RESERVED.

LOC	DIST	REVISIONS			
P	LTR	DESCRIPTION	DATE	DWN	APVD
FX	00	SEE SHEET 1	-	-	-



P.C. BOARD LAYOUT
 CONNECTOR SIDE
 (RECOMMENDED BOARD THICKNESS 1.57mm)

<small>THIS DRAWING IS A CONTROLLED DOCUMENT FOR AMP INCORPORATED. IT IS SUBJECT TO CHANGE AND THE CONTROLLING ENGINEERING ORGANIZATION SHOULD BE CONTACTED FOR THE LATEST REVISION.</small>		DWN <u>Y. PETERSON</u> 11JUN99 CHK <u>R. SMITH</u> 11JUN99 APVD <u>R. SMITH</u> 11JUN99	AMP Tyco Electronics Harrisburg, PA 17105-3608
DIMENSIONS: mm 	TOLERANCES UNLESS OTHERWISE SPECIFIED: 0 PLC ± 1 PLC ±0.3 2 PLC ±0.15 3 PLC ± 4 PLC ± ANGLES ±° FINISH -	PRODUCT SPEC APPLICATION SPEC WEIGHT -	NAME ASSEMBLY, HORIZONTAL MOUNT, 16 POSITION, 040 HYBRID
MATERIAL -		SIZE A2 CAGE CODE 00779 DRAWING NO. C-638264	RESTRICTED TO -
CUSTOMER DRAWING		SCALE 2:1	SHEET 2 OF 2 REV 01

638264

单击下面可查看定价，库存，交付和生命周期等信息

[>>TE Connectivity\(泰科\)](#)