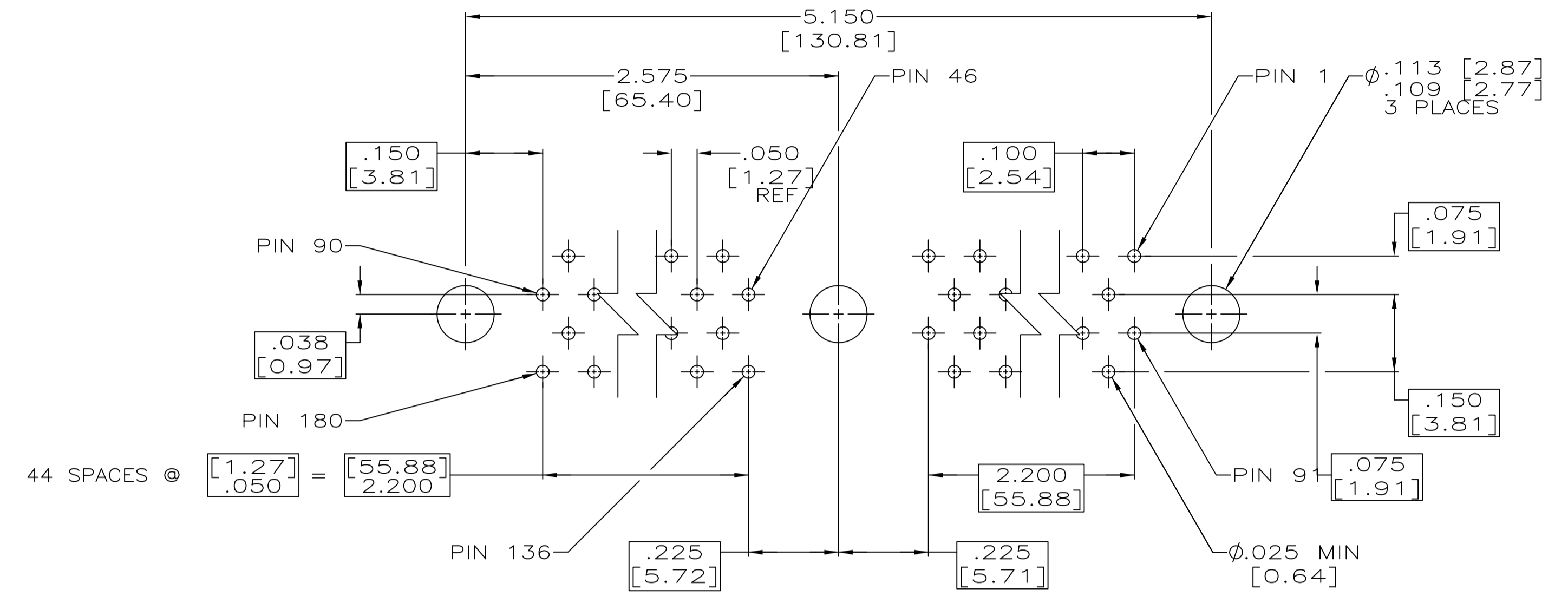
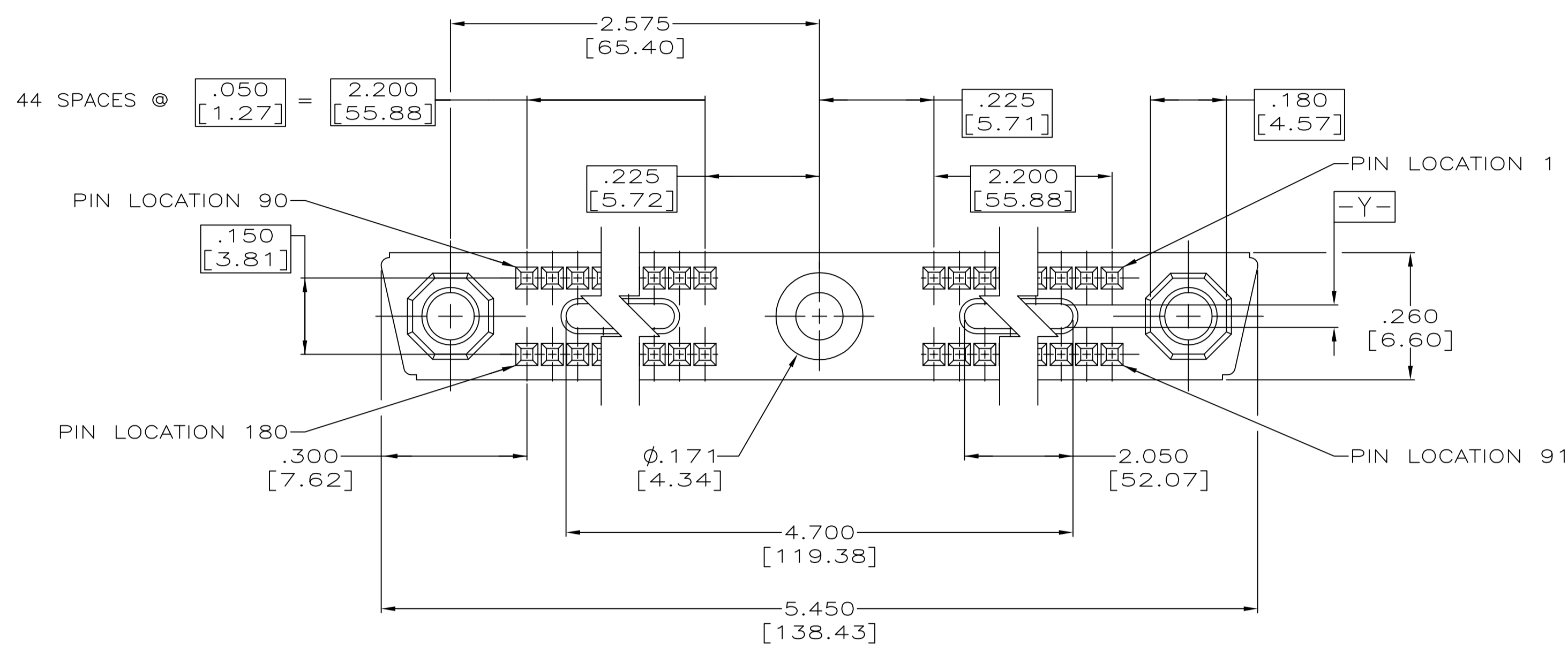
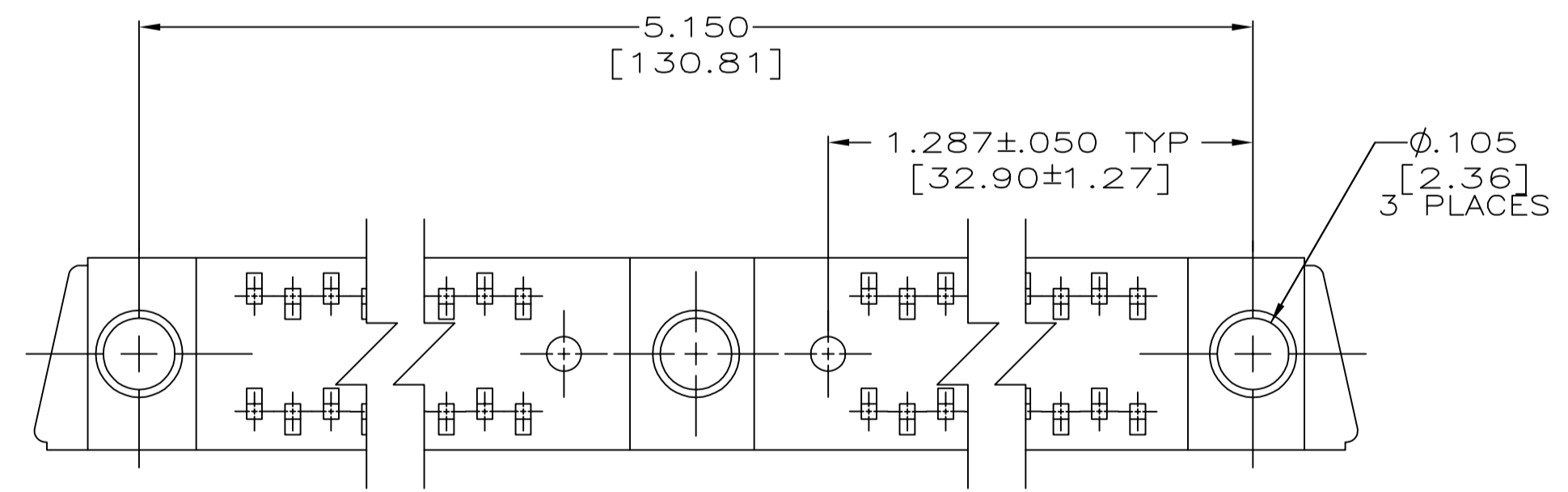
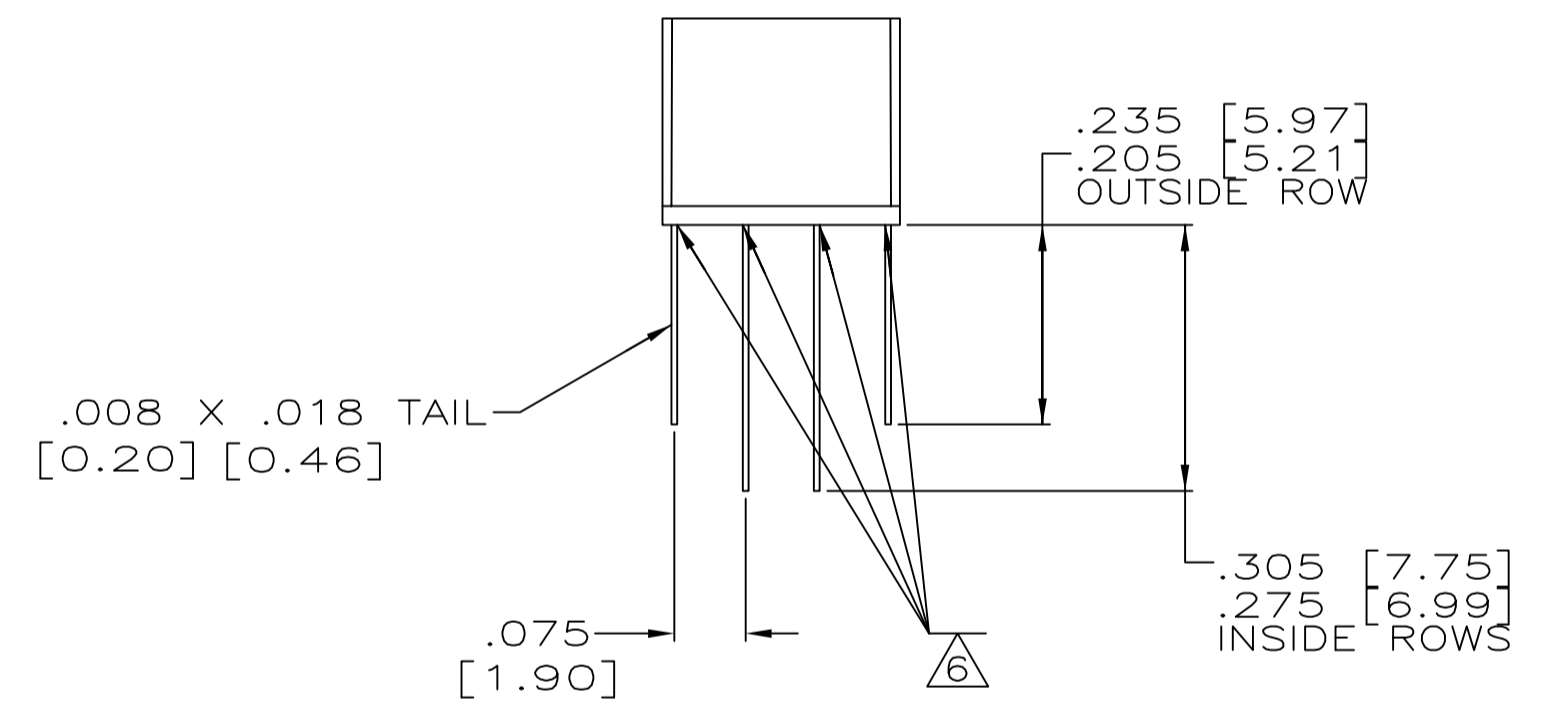
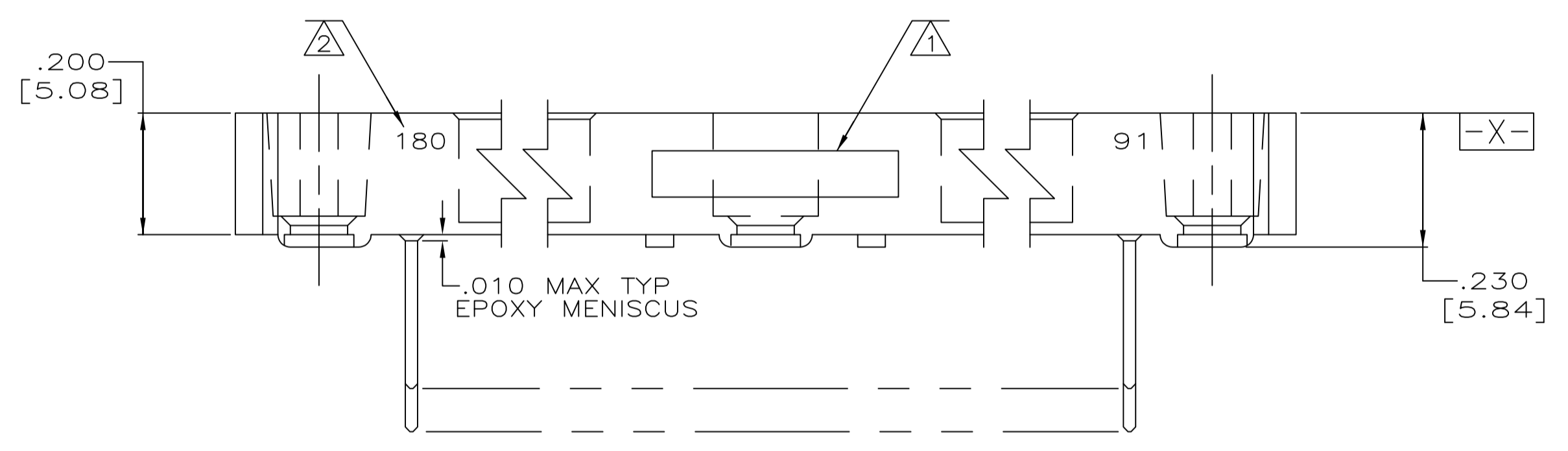


REVISIONS					
P	LTR	DESCRIPTION	DATE	OWN	APVD
G		REVISED PER ECO-16-017894	27APR2017	PHM	CT



RECOMMENDED P. C. BOARD LAYOUT



- 1 AMP, AMP PART NO., DATE CODE AND CUSTOMER PART NO. (859779-1) MARKED THIS APPROX. AREA, THIS SIDE.
- 2 NUMBERS INDICATING END POSITIONS MARKED THIS SIDE ONLY.
- 3. MEETS ALL APPLICABLE REQUIREMENTS OF MIL-C-55302.
- 4 .000050 GOLD ALL OVER NICKEL UNDERPLATE IN CONTACT AREA, GOLD FLASH OVER NICKEL UNDERPLATE REMAINDER OF CONTACT.
- 5 HOUSING MATERIAL: LIQUID CRYSTAL POLYMER PER MIL-M-24519, GLCP-30F; COLOR: GRAY.
- 6 EPOXY IS ADDED TO BOTTOM OF HOUSING FOR CONTACT RETENTION.

180 & 91	446447-1
CAVITY IDENT	PART NO

THIS DRAWING IS A CONTROLLED DOCUMENT.		OWN T. SHUEY 7-27-89	CHK D. STONER 7-29-89	APVD D. STONER 7-29-89	NAME RECEPTACLE ASSEMBLY, EXTENDED MINI BOX, REVERSE CIRCUIT ID, W/LOW FORCE CONTACTS
DIMENSIONS: INCHES(mm)	TOLERANCES UNLESS OTHERWISE SPECIFIED:	APPLICATION SPEC			
0 PLC ± -	1 PLC ± -	SIZE CAGE CODE DRAWING NO			
2 PLC ± -	3 PLC ± .010 [0.25]	RESTRICTED TO			
4 PLC ± -	ANGLES ± -	A1 00779 C=446447			
MATERIAL - Δ	FINISH - Δ	WEIGHT			
CUSTOMER DRAWING		SCALE 5:1 SHEET 1 OF 1 REV G			

单击下面可查看定价，库存，交付和生命周期等信息

[>>TE Connectivity\(泰科\)](#)