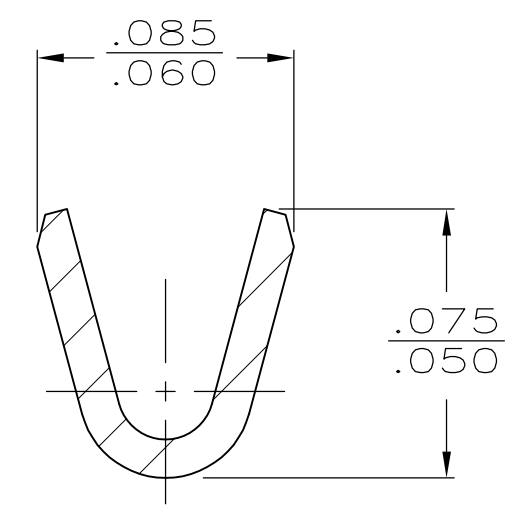
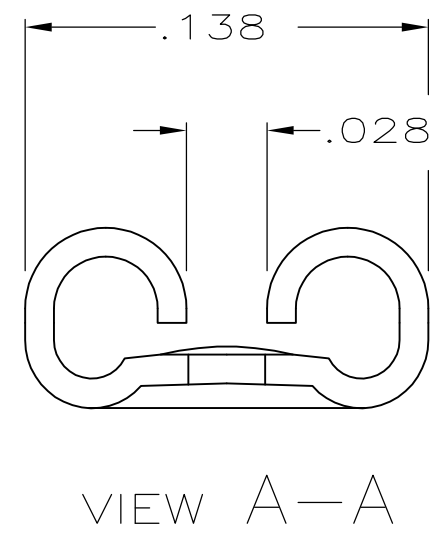
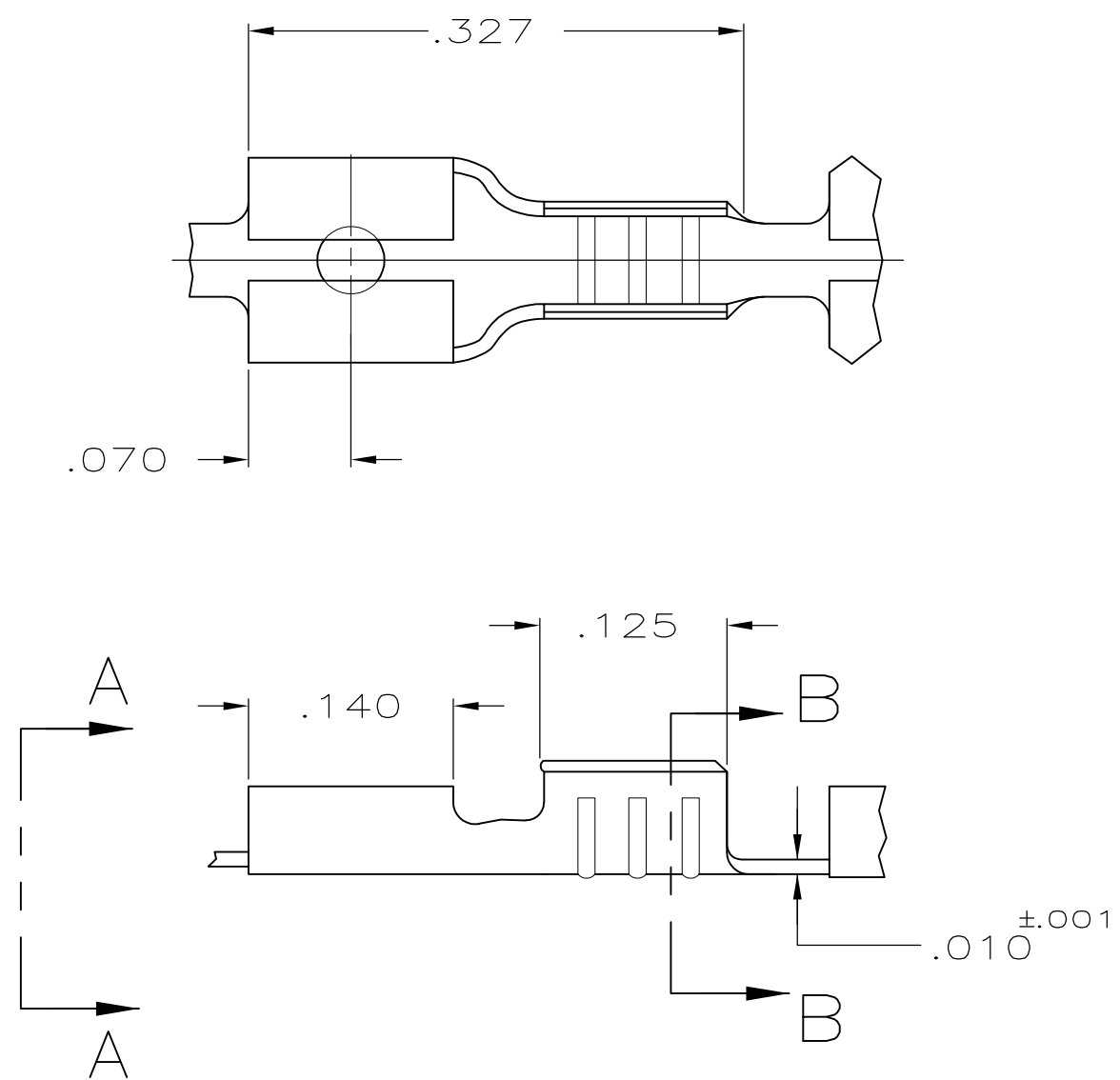


THIS DRAWING IS UNPUBLISHED. RELEASED FOR PUBLICATION
 © COPYRIGHT - By - ALL RIGHTS RESERVED.

LOC	DIST	REVISIONS			
P	LTR	DESCRIPTION	DATE	DWN	APVD
AF	50				
	D	REVISED PER ECR-12-013459	28NOV2012	KH	PD

- 1 CONTINUOUS STRIP ON REELS.
- 2 WIRE SIZES #26-#22 AWG.
- 3 MATES WITH .016±.001 THK TAB.
- △4 SPECIAL REEL QUANTITY
- △5 PRELIMINARY - NOT FOR PRODUCTION



△4	-	△5 61818-3
	.000050 MIN NICKEL	61818-2
	-	61818-1
	FINISH	PART NO.

THIS DRAWING IS A CONTROLLED DOCUMENT.		DWN	JR RUTH	6/3/96	TE Connectivity NAME RECEPTACLE, FASTON, .110 SERIES			
DIMENSIONS: INCHES		CHK	MS FEHER	6/3/96				
		APVD	P DESANTIS	6/3/96				
TOLERANCES UNLESS OTHERWISE SPECIFIED:		PRODUCT SPEC						
0 PLC ± - 1 PLC ± - 2 PLC ± - 3 PLC ± .005 4 PLC ± - ANGLES ± 1°		APPLICATION SPEC			SIZE	CAGE CODE	DRAWING NO	RESTRICTED TO
MATERIAL: BRASS		FINISH: SEE TABLE		WEIGHT: -	A300779		C-61818	-
CUSTOMER DRAWING					SCALE: 8:1	SHEET: 1 OF 1	REV: D	

单击下面可查看定价，库存，交付和生命周期等信息

[>>TE Connectivity\(泰科\)](#)