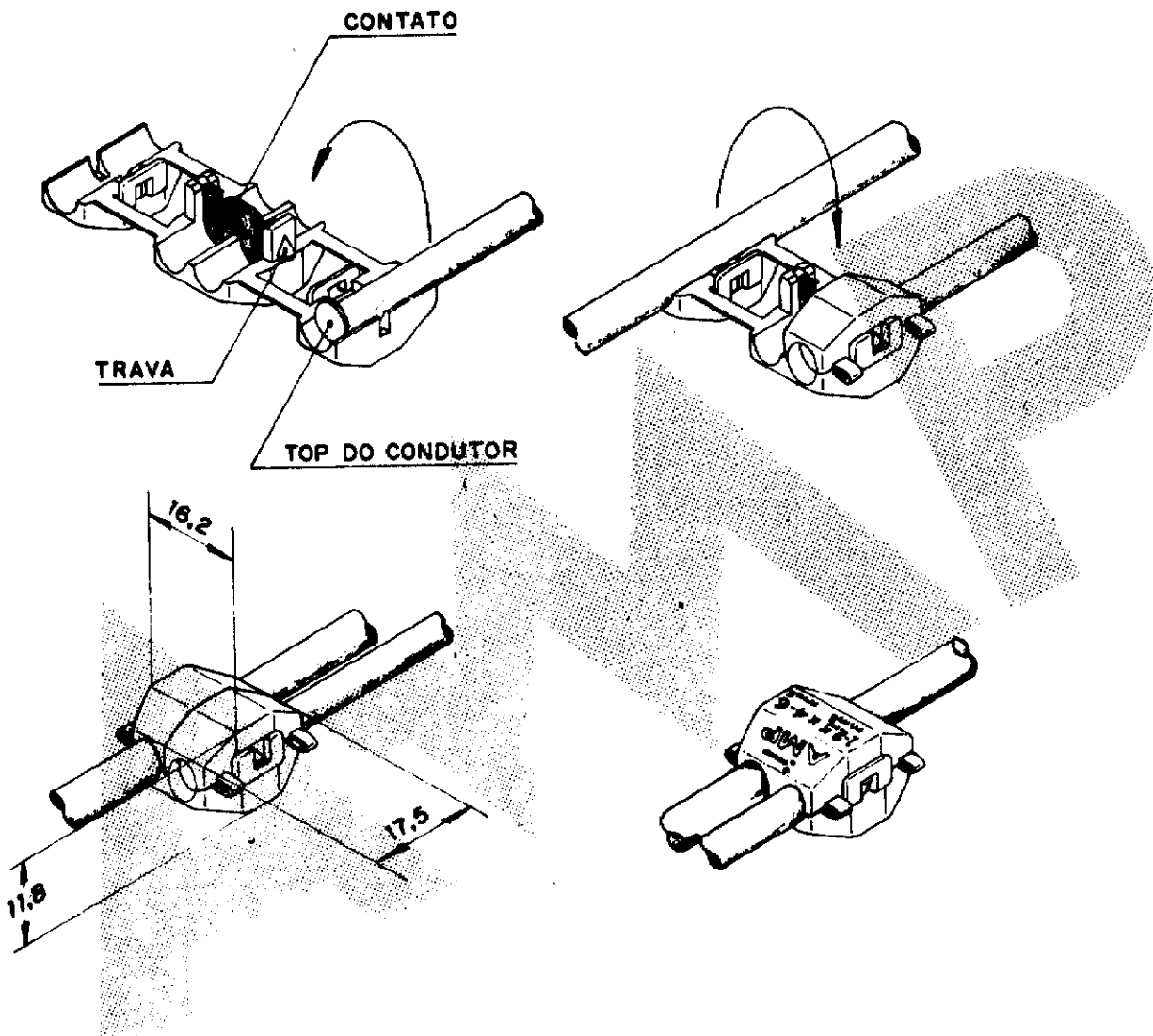


DO NOT SCALE  
DIMENSIONS IN MM.

**METRIC**



PRINC. 4,0-6,0mm <sup>2</sup>	5,0mm	PRETO	CONT. LATÃO ESTANHADO	880 458 - 2
DERIV. 1,0-2,5mm <sup>2</sup>	5,0mm		ISOL. POLIAMIDA 6.6 C/PROT. U.V.	
PRINCIPAL: 4,0-6,0mm <sup>2</sup>	5,0mm	NATURAL	CONTATO LATÃO ESTANHADO	880 458 - 1
DERIVAÇÃO: 1,0-2,5mm <sup>2</sup>	5,0mm		ISOLADOR: POLIAMIDA 6.6	
WIRE RANGE	INS. DIA. MAX.	COR	MATERIAL	PART NUMBER

**CUSTOMER DWG**  
FOR REFERENCE ONLY

THIS DRAWING IS UNPUBLISHED RELEASED FOR PUBLICATION  
© COPYRIGHT 1964 BY AMP DO BRASIL LTDA S.P. ALL INTERNATIONAL RIGHTS RESERVED. AMP PRODUCTS MAY BE COVERED BY U.S. AND FOREIGN PATENTS AND/OR PATENTS PENDING.

TOLERANCES UNLESS OTHERWISE STATED  
DEC. ±0.5  
ANGLES ±1°

INS. DIA. RANGE VER TABELA	WIRE RANGE VER TABELA	SCALE
<b>AMP</b>		
AMP do BRASIL LTDA. São Paulo, Brasil		

DR. *[Signature]*  
07.01.64  
CHK. *[Signature]*  
24/04/64

DESCRIPTION  
**ELECTRO-TAP**

C	REVISADO P/ECN 3204	IVAJ	JUN 19 62
B	REVISED BY ECN. 2951	IVAN	FEB 25 62
A	ERA P80-2912B	G.M. R.P.L.	4.4.64
188	REVISION RECORD	DR	CHK DATE APP.

DWG NO  
**A4 C 880458**

SHEET  
1 of 1

单击下面可查看定价，库存，交付和生命周期等信息

[>>TE Connectivity\(泰科\)](#)