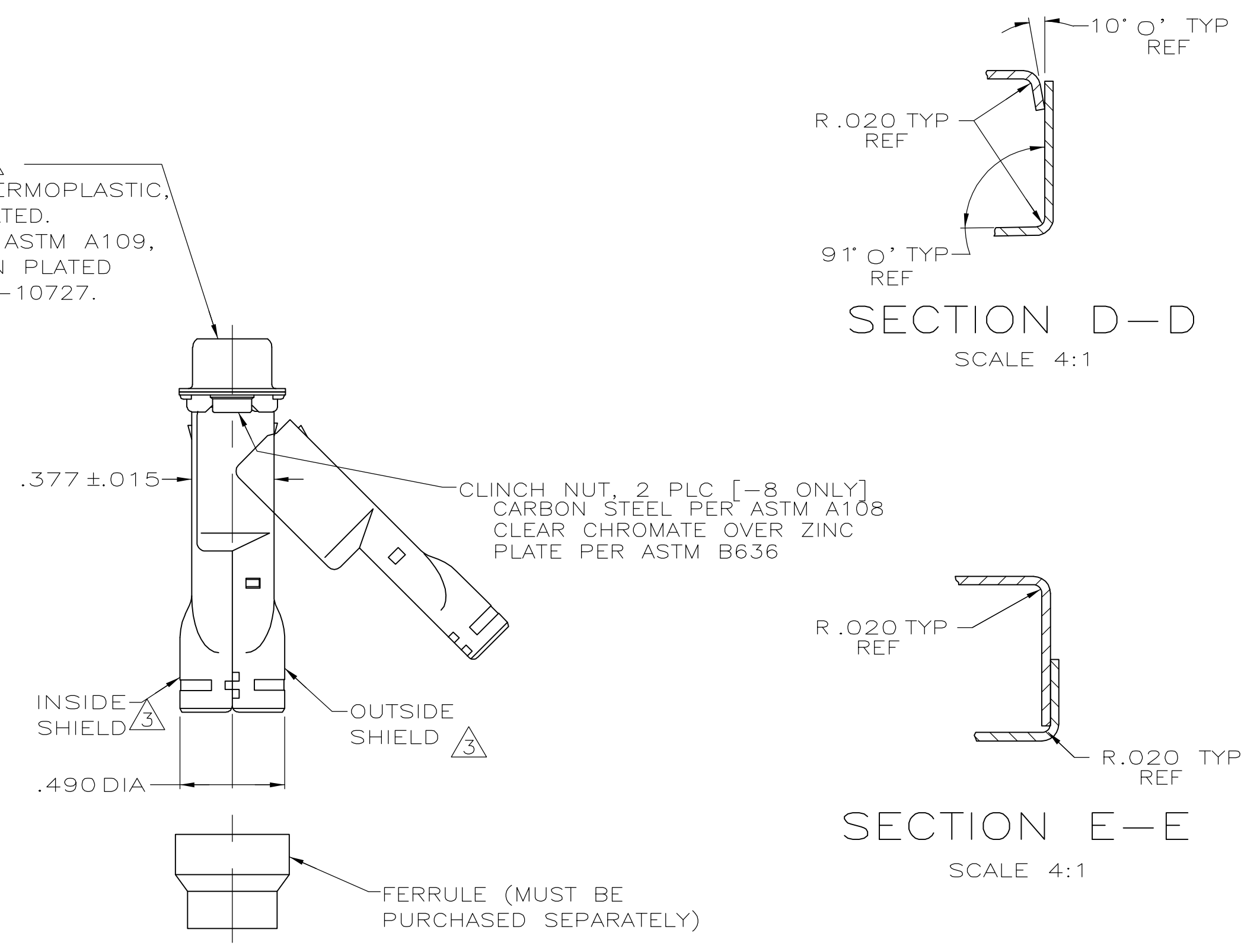


PLUG CONNECTOR ¹
 INSERT: BLACK THERMOPLASTIC,
 94V-0 RATED.
 SHELL: STEEL PER ASTM A109,
 BRIGHT TIN PLATED
 PER MIL-T-10727.



- ¹ PLUG CONNECTOR FULLY LOADED WITH CONTACTS. ALL OTHER PARTS SHIPPED UNASSEMBLED (EACH PART INDIVIDUALLY BULK PACKED).
- ² NUMBER ON CONTACT INDICATES WIRE RANGE.
- ³ SHIELDS: MATERIAL—.020 THICK STEEL, TIN PLATED.
- ⁴ CONTACTS PLATED GOLD PLATED FOR LENGTH OF .150 MIN FROM MATING END, .000030 MIN GOLD IN MATED AREA. .000100—.000200 BRIGHT TIN OR BRIGHT IN TIN-LEAD IN WIRE TERMINATION AREA. .000050 NICKEL UNDERPLATE ON ENTIRE CONTACT.
- ⁵ CONTACTS PLATED GOLD PLATED FOR LENGTH OF .150 MIN FROM MATING END, GOLD FLASH IN MATED AREA. .000100—.000200 BRIGHT TIN OR BRIGHT IN TIN-LEAD IN WIRE TERMINATION AREA. .000030 NICKEL UNDERPLATE ON ENTIRE CONTACT.

- ⁶ RAISED CAVITY IDENTIFICATION AND AMP TRADEMARK.
- ⁷ CONTACTS PLATED GOLD PLATED FOR LENGTH OF .150 MIN FROM MATING END, .000050 MIN GOLD IN MATED AREA. .000100—.000200 BRIGHT TIN OR BRIGHT IN TIN-LEAD IN WIRE TERMINATION AREA. .000050 NICKEL UNDERPLATE ON ENTIRE CONTACT.
- ⁸ ADVANCE PART NUMBER.
- ⁹ CONTACTS PLATED GOLD FOR A LENGTH OF .150 MIN FROM MATING END, .000030 MIN GOLD IN MATED AREA. .000100—.000200 MATTE TIN IN WIRE TERMINATION AREA. .000050 MIN NICKEL UNDERPLATE ON ENTIRE CONTACT.
- ¹⁰ CONTACTS PLATED GOLD FOR A LENGTH OF .150 MIN FROM MATING END, GOLD FLASH IN MATED AREA. .000100—.000200 MATTE TIN IN WIRE TERMINATION AREA. .000030 MIN NICKEL UNDERPLATE ON ENTIRE CONTACT.

	¹	2	#22-26	1-747563-0
OBSOLETE	⁹	1	#26-30	747563-9
OBSOLETE	⁷	2	#22-26	747563-8
		2	#22-26	⁸ 747563-7
OBSOLETE	⁵	3	#20-22	747563-6
OBSOLETE		2	#22-26	747563-5
OBSOLETE		1	#26-30	747563-4
OBSOLETE		3	#20-22	747563-3
SUPERSEDED BY 747950-2	⁴	2	#22-26	747563-2
OBSOLETE		1	#26-30	747563-1
	CONTACT FINISH	²	WIRE RANGE	PART NUMBER

THIS DRAWING IS A CONTROLLED DOCUMENT.

DIMENSIONS: INCHES	TOLERANCES UNLESS OTHERWISE SPECIFIED:	DWN L. VARELA - DOCKS 11-16-04	tyco Tyco Electronics Corporation Harrisburg, PA 17105-3608
0 PLC ± -	1 PLC ± -	CHK J. GERACE 11-16-04	APVD W. WALMSLEY 11-16-04
2 PLC ± -	3 PLC ± .005	PRODUCT SPEC 108-40011 & 108-40030	NAME KIT, PLUG, SHIELDING HARDWARE, SIZE 4, 37 POSN, HDE-20, AMPLIMITE
4 PLC ± -	ANGLES ± 0° 30'	APPLICATION SPEC 114-40002	SIZE CAGE CODE DRAWING NO RESTRICTED TO
MATERIAL SEE CALL OUTS	FINISH SEE TABLE	WEIGHT -	A1 00779 747563
CUSTOMER DRAWING		SCALE 2:1	SHEET 1 OF 1 REV L1

单击下面可查看定价，库存，交付和生命周期等信息

[>>TE Connectivity\(泰科\)](#)