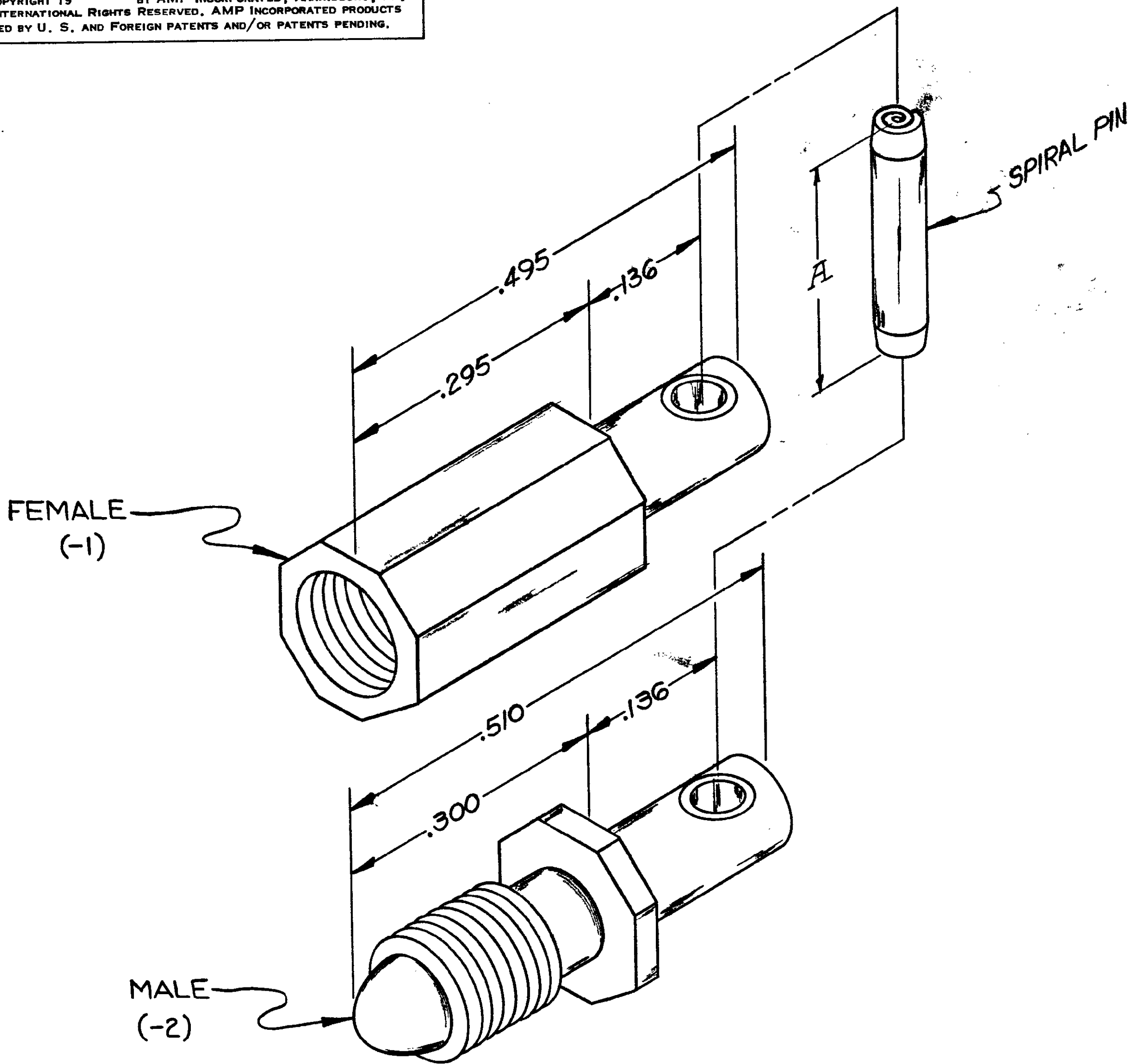


© COPYRIGHT 19 BY AMP INCORPORATED, HARRISBURG, PA.  
 ALL INTERNATIONAL RIGHTS RESERVED. AMP INCORPORATED PRODUCTS  
 COVERED BY U. S. AND FOREIGN PATENTS AND/OR PATENTS PENDING.

| REVISIONS |   |      |     |                      |          |          |
|-----------|---|------|-----|----------------------|----------|----------|
| P         | F | ZONE | LTR | DESCRIPTION          | DATE     | APPROVED |
|           |   |      | 0   | REL.                 |          |          |
|           |   |      | 01  | ADD -3; AB-1664      | db 6-26  | EAM      |
|           |   |      | A   | REV PER 0600-5354-96 | JB 10-96 | Am       |



|           |                      |          |
|-----------|----------------------|----------|
| .187±.015 | FEMALE JACKSCREW KIT | 531985-3 |
| .250      | MALE JACKSCREW KIT   | 531985-2 |
| .250      | FEMALE JACKSCREW KIT | 531985-1 |
| A         | DESCRIPTION          | PART NO  |

1. FEMALE JACKSCREW-SOCKET .240 DEEP, 6-32 UNC-2B DOUBLE THREAD DOUBLE LEAD.
2. MALE JACKSCREW-TIP .270 LONG, 6-32 UNC-2A DOUBLE THREAD DOUBLE LEAD.
3. KIT CONSISTS OF ONE MALE OR ONE FEMALE JACKSCREW AND ONE SPIRAL PIN.

|   |  |  |  |
|---|--|--|--|
| UNLESS OTHERWISE SPECIFIED DIMENSIONS ARE IN INCHES.<br>TOLERANCES ON:<br>DECIMALS ± .010<br>ANGLES ± | CONTRACT NO  | <b>AMP</b>   AMP INCORPORATED<br>Harrisburg, Pa.                         |  |
|   | DR   | NAME<br>JACKSCREW, FIXED ASSEMBLY,<br>FOR RIGHT ANGLE BOX CONNECTOR      |  |
|   | CHK  | SIZE CODE IDENT NO DRAWING NO<br><b>C</b>   <b>00779</b>   <b>531985</b> |  |
|   | APPD   | SCALE 1Δ:1   SHEET 1 OF 1  |  |
| MATERIAL  | DR 12-19-80<br>CHK <i>Royce W. Parker</i> 12/12/80<br>APPD <i>Royce W. Parker</i> 12/31/80<br>APPD <i>E. Parsons</i> 12-30-80<br>DSGN APPD<br>OTHER APPD | FINISH<br>PASSIVATED   |  |

CUSTOMER DRAWING

531985

单击下面可查看定价，库存，交付和生命周期等信息

[>>TE Connectivity\(泰科\)](#)