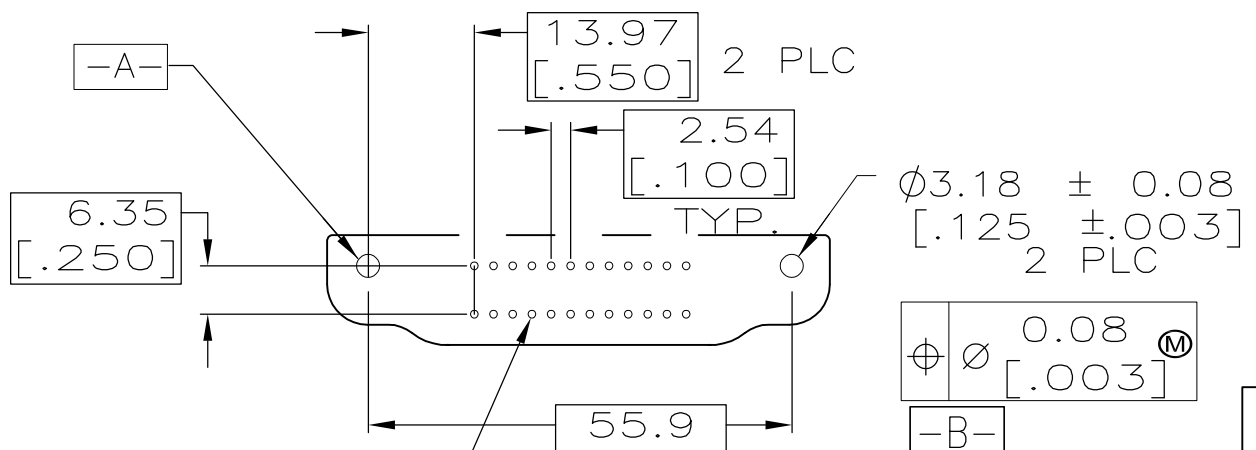
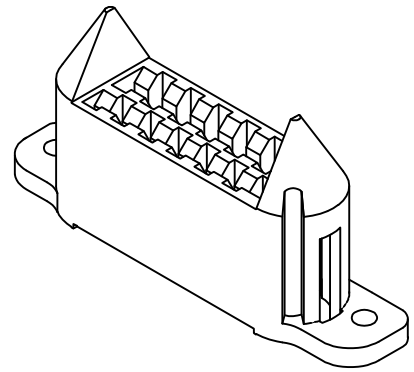
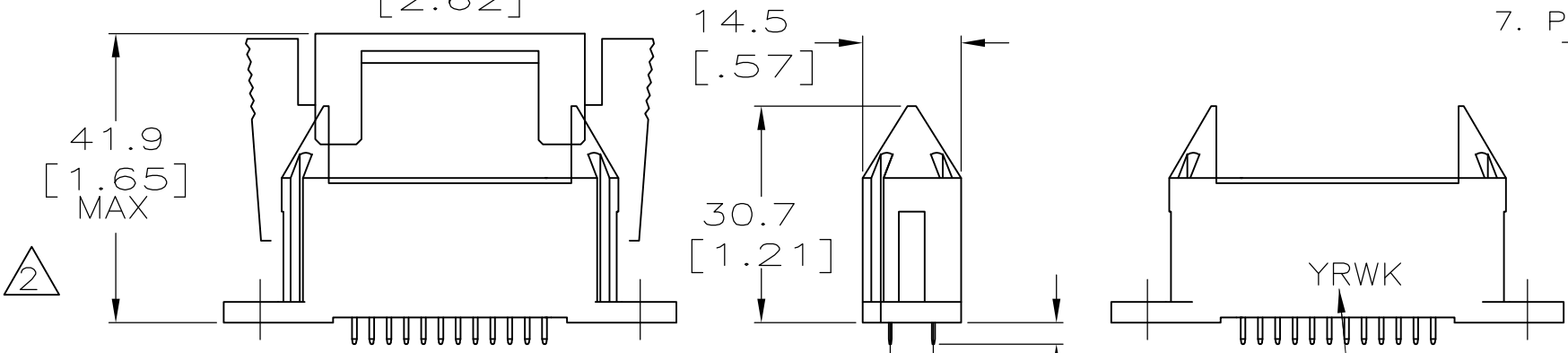
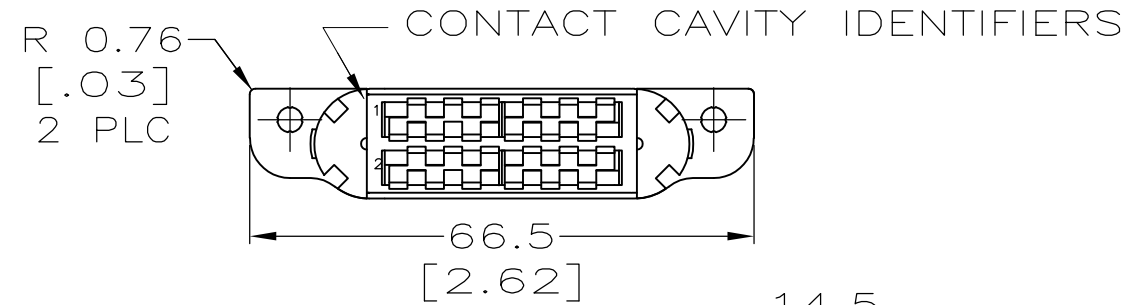


THIS DRAWING IS UNPUBLISHED. RELEASED FOR PUBLICATION
 © COPYRIGHT - BY TYCO ELECTRONICS CORPORATION. ALL RIGHTS RESERVED.

AMPOWER and ACTION PIN are registered trademarks of AMP Incorporated.

LOC	DIST	REVISIONS			
P	LTR	DESCRIPTION	DATE	DWN	APVD
GP	00	B	REV PE ECO-10-021237	19JAN2011	RG MS

- 1 FINISH: SILVER ON MATING END ALL OVER NICKEL
- 2 HEIGHT OF MATED ASSEMBLY.
- 3 HOUSING, HIGH TEMP
- 4 HOLE DIAMETER AFTER PLATING.
- 5 ADD 2-DIGIT YEAR AND 2 DIGIT WEEK CODE IN CONTRASTING COLOR, INDELIBLE INK, .13" CHARACTER HEIGHT APPROX AS SHOWN (NOTE CONDUCTOR 1 & 3 SIDE OF HOUSING).
- 6. MOUNTING HARDWARE, 2 #4-40 SCREWS AND NUTS OR 2 EYELETS (P/N 748572-2) ARE REQUIRED.
- 7. PRODUCT AND PROCESSING MUST MEET REQUIREMENTS OF TYCO ELECTRONICS STANDARD 230-702.



DIM "A"	DESCRIPTION	THK PCB	5765527
OBSOLETE 7.7 [.31]		6.35 [.250]	4
OBSOLETE 5.9 [.24]		4.75 [.187]	3
		3.18 [.125]	2
		1.57-2.36 [.062-.093]	1

THIS DRAWING IS A CONTROLLED DOCUMENT.

DWN E.C. CLAYBAUGH 02/DEC/05	Tyco Electronics Corporation Harrisburg, PA 17105-3608
CHK - 05/DEC/05	
APVD J. SCHOLZ 07/DEC/05	NAME AMPOWER Wave Crimp System
PRODUCT SPEC 108-1319	HEADER ASSEMBLY, .100 CL, VERTICAL DRAWER CONNECTOR
APPLICATION SPEC 114-49005	SIZE A3 CAGE CODE 00779 DRAWING NO C-5765527
MATERIAL HIGH TEMP 3	FINISH 1
CUSTOMER DRAWING	
SCALE N.T.S.	SHEET 1 OF 1
REV B	

单击下面可查看定价，库存，交付和生命周期等信息

[>>TE Connectivity\(泰科\)](#)