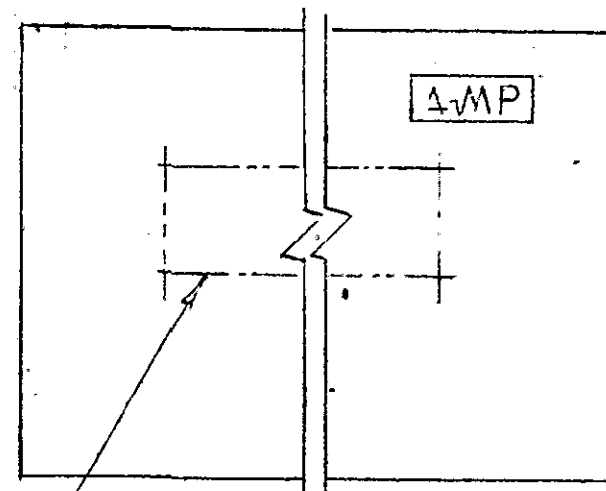
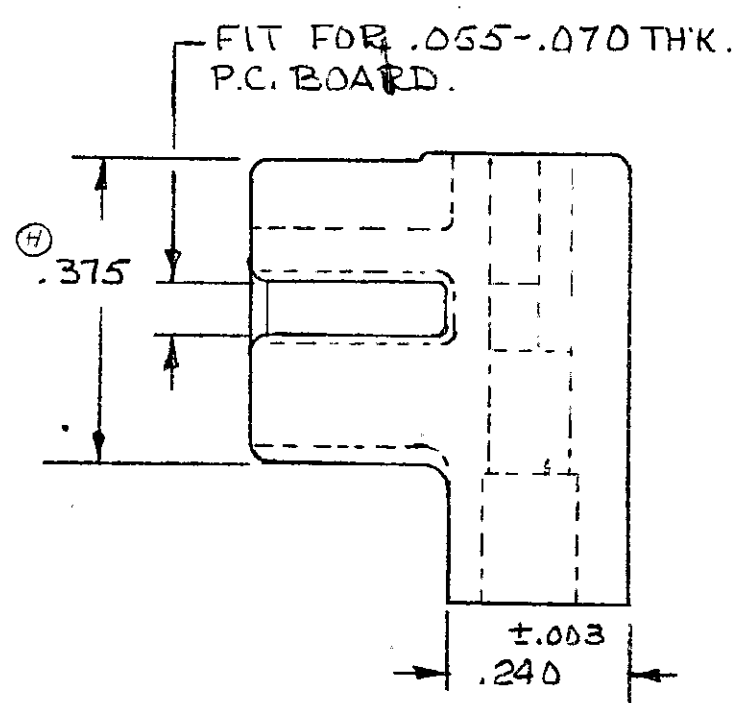
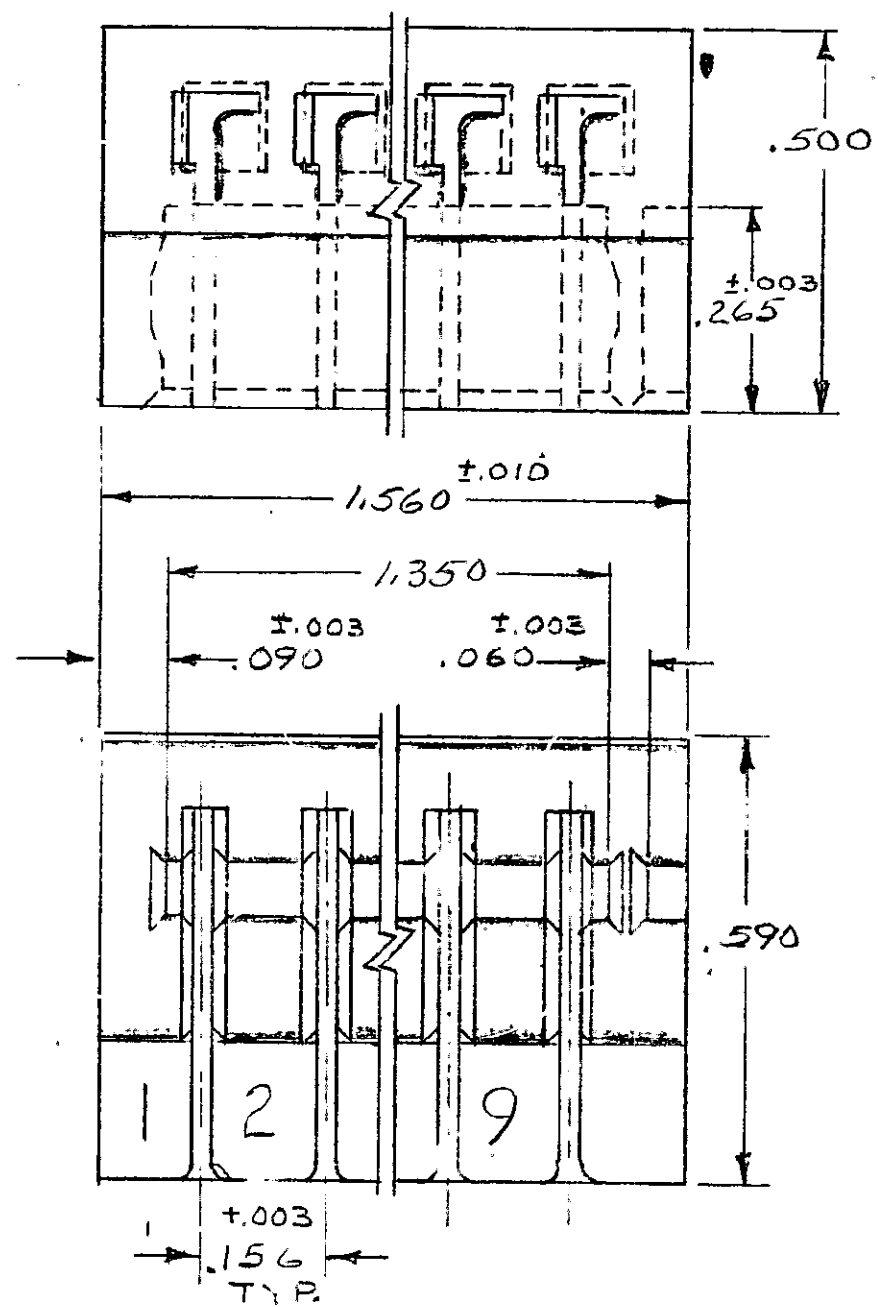


REVISIONS				
ZONE	LTR	DESCRIPTION	DATE	APPROVED
	GI	REDRAWN WITHOUT CHANGE 3398 DR	2-9-72	D.H.
	H	REVISED 3535	6-8-72	m.s. d.H.
	HI	OBS. - 3 AD1097	2-7-80	RL
	J	REV. / AD1746	7-27	MM
	K	REV / AD1840 OBS -10	3-88	MM
	L	REV PER 0010-1143-95	11-95	P.G.
	M	REV PER EC 0G3C-233-01	03OCT01	MM

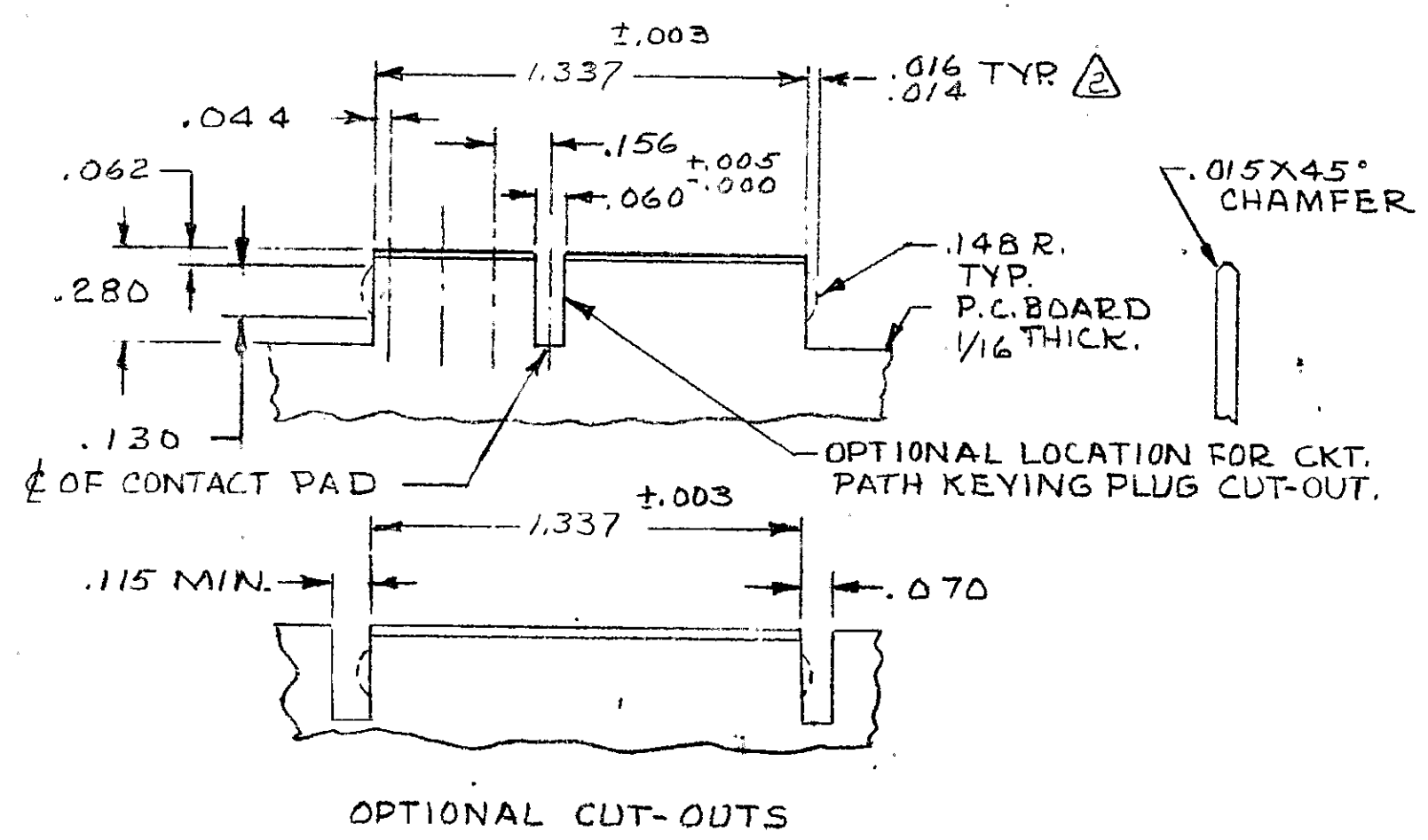
PART NO	COLOR
582375-1	BROWN
582375-2	RED
582375-3	ORANGE
582375-4	YELLOW
582375-5	GREEN
582375-6	BLUE
582375-7	VIOLET
582375-8	GRAY
582375-9	NATURAL
582375-0	BLACK

OBSOLETE



PART NO. & DATE CODE ... MARKED OR MOLDED IN THIS AREA. DATE CODE (OPTIONAL)

1. REFER TO 60215 & 583284 FOR TERMINAL  
 2. THE RETAINING DIMPLES ARE OPTIONAL IN BOTH CUT-OUTS.



OPTIONAL CUT-OUTS

UNLESS OTHERWISE SPECIFIED, DIMENSIONS ARE IN INCHES TOLERANCES ON : DECIMALS ±.005 ANGLES ±	CONTRACT NO.	AMP INCORPORATED HARRISBURG, PENNSYLVANIA
	DR <i>Rumble</i> 2-9-72	
MATERIAL NYLON	CHK <i>J.S. Heide</i> 2-21-72	NAME HOUSING, DUO-TYNE FLAG, 9. POSITION.
	APPD <i>D. Bushby</i> 2-22-72	
	REL <i>R. Shuman</i> 2-22-72	SIZE C
	DSGN APPD	CODE IDENT NO. 00779
OTHER APPD	NUMBER 582375	SCALE 4-1
		SHEET 1 OF 1

NUMBER 582375

单击下面可查看定价，库存，交付和生命周期等信息

[>>TE Connectivity\(泰科\)](#)