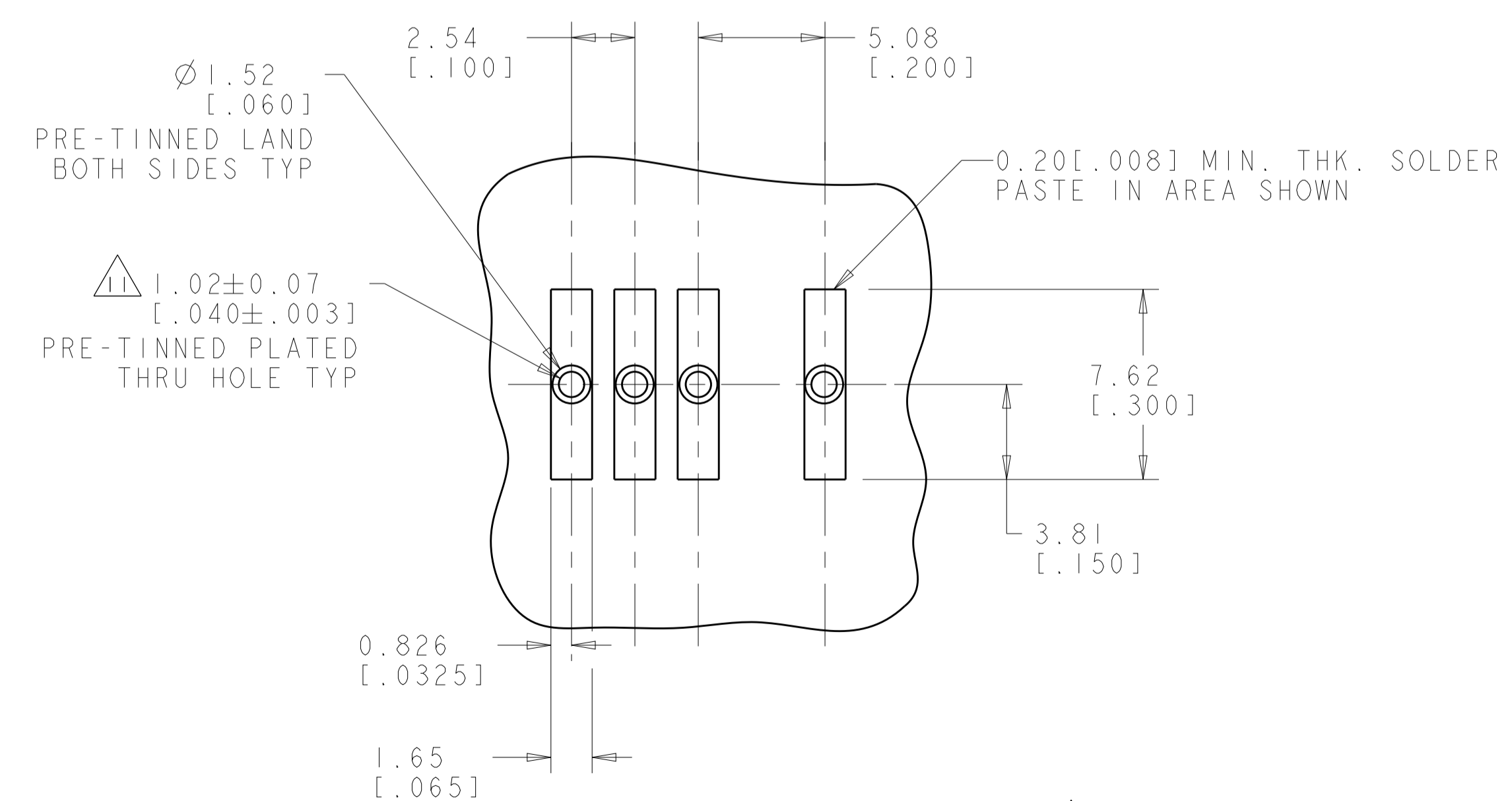
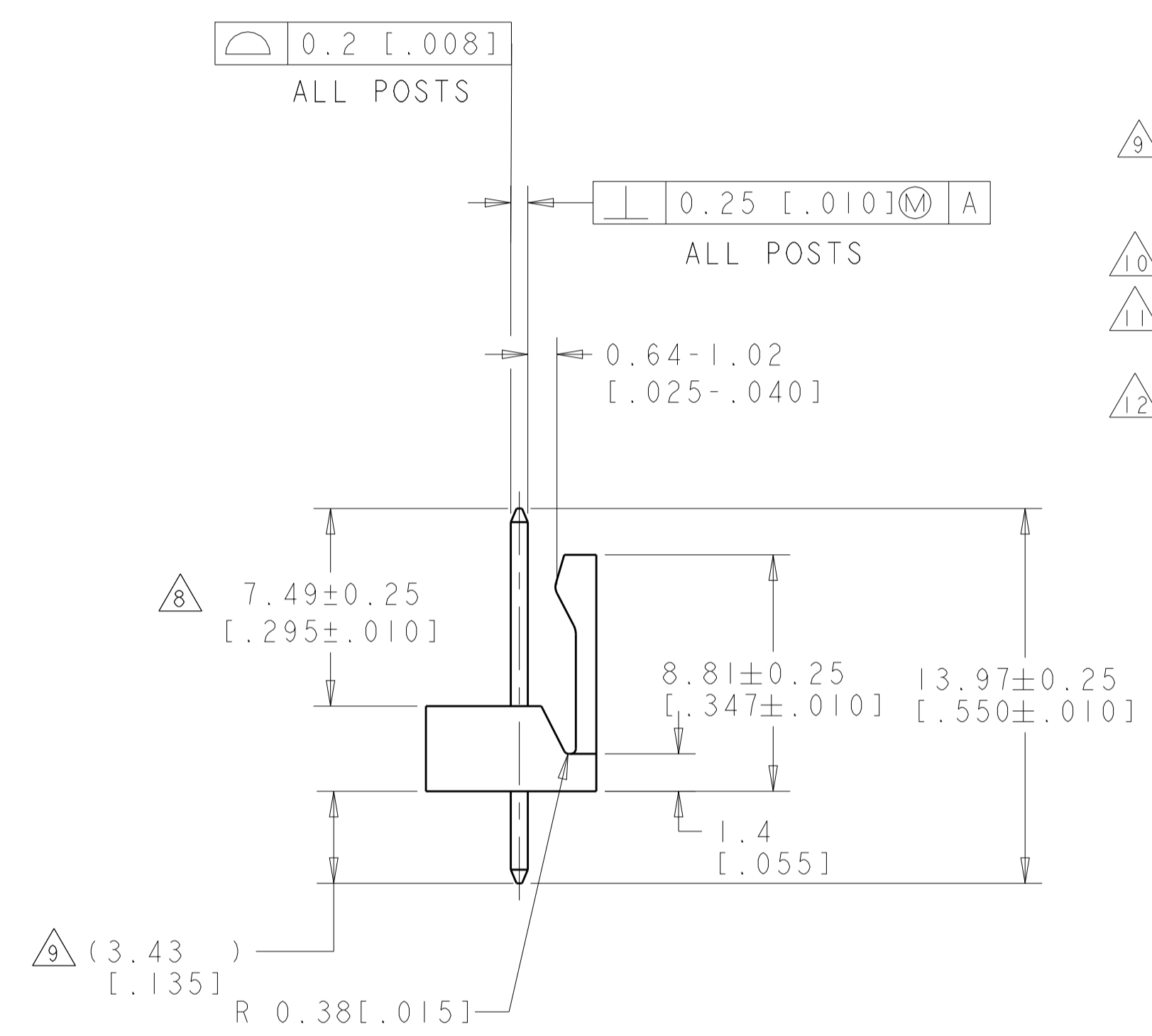
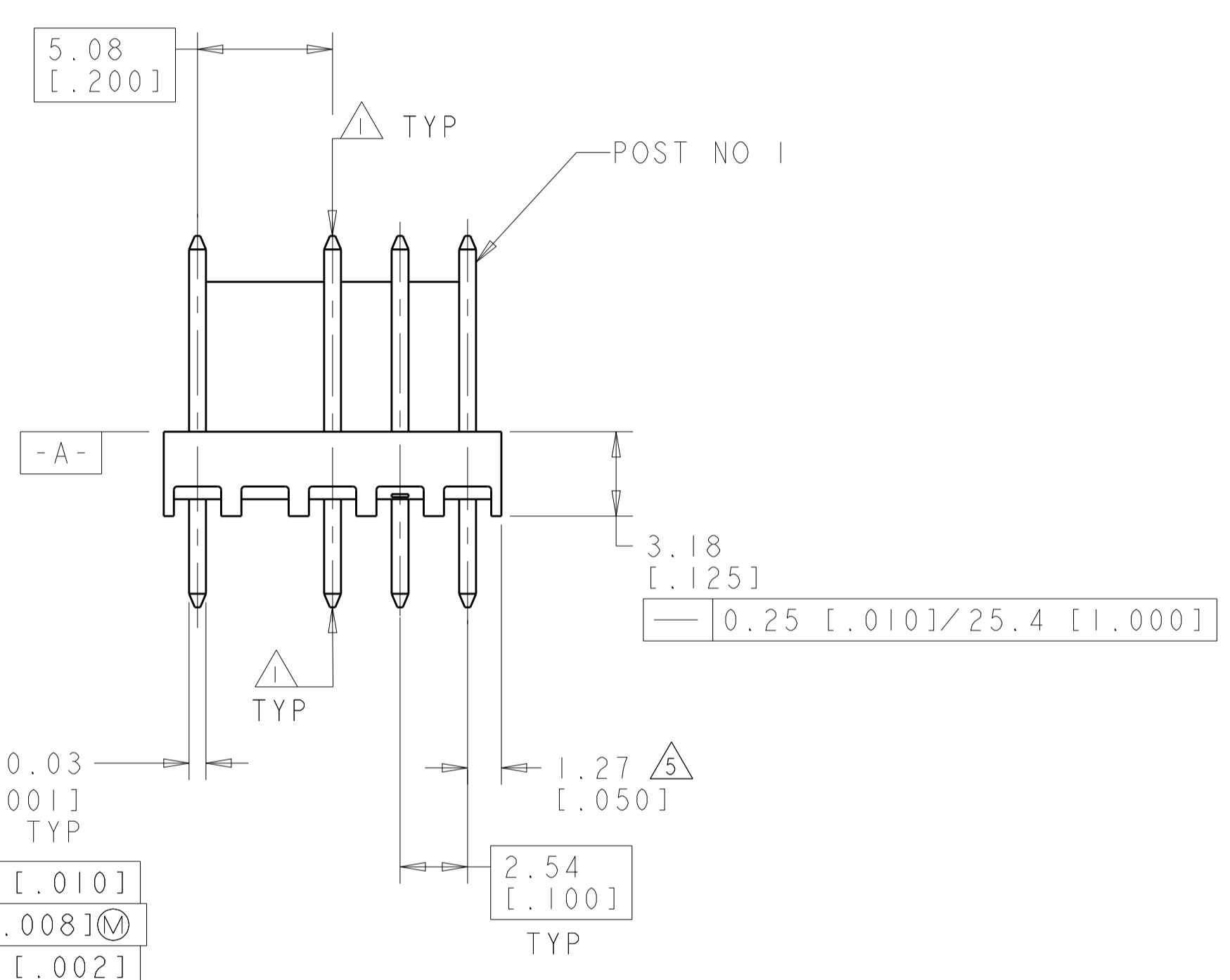
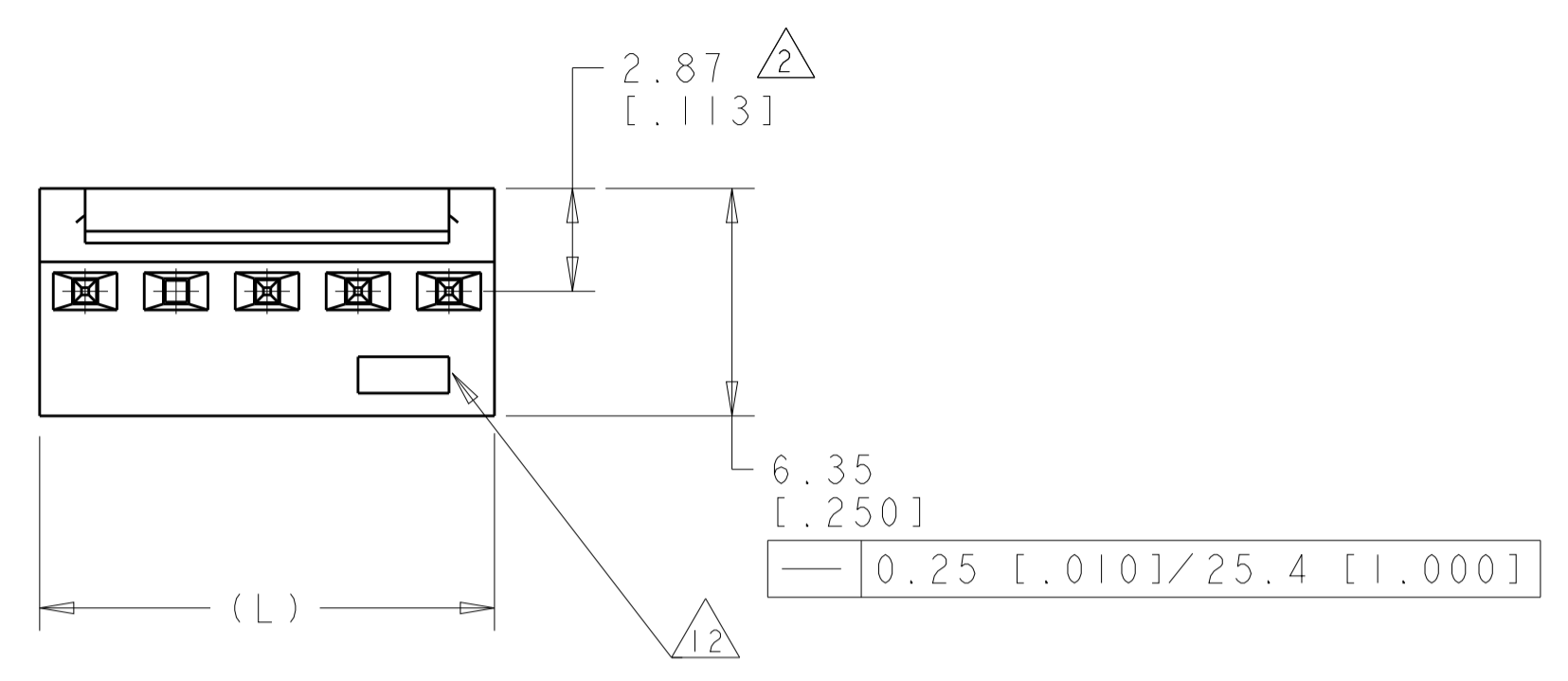


LOC	DIST	REVISIONS					
		P	LTN	DESCRIPTION	DATE	DWN	APVD
CM	00	D1		REVISED PER ECR-18-004355	18JUN2018	BDA	SG



RECOMMENDED MOUNTING HOLE PATTERN FOR 1.57 ± 0.20 [.062 ± .008] THICK P.C. BOARD

- 1 POST WITHSTAND 13 NEWTONS (3 LBS) MIN AXIAL FORCE IN DIRECTION SHOWN WITHOUT DISLODGING.
- 2 MEASURED AT -A-.
- 3. PARTS COMPLY WITH SOLDERABILITY SPEC 109-11-2.
- 4 MATERIAL: HOUSING: NYLON, 4/6, HIGH TEMP, BLACK. POST: COPPER ALLOY (SEE NOTES 8 & 9 FOR PLATING.)
- 5 COORDINATE DIMENSION APPLIES FROM CENTER OF ACTUAL FEATURE.
- 6 POSTS TO BE MEASURED WHEN STRIP HELD FLAT.
- 7. DIMENSIONS IN BRACKETS ARE IN INCHES.
- 8 PLATING: GOLD PLATE AREA, 0.00038 [.000015] GOLD OR 0.00008 [.000003] MIN GOLD FLASH OVER 0.00030 [.000012] PALLADIUM NICKEL PER TE CONNECTIVITY'S DISCRETION, ALL SIDES, OVER NICKEL UNDERPLATE, 0.00127 [.000050] MIN, ALL SIDES AND ENTIRE LENGTH OF POST.
- 9 PLATING: MATTE TIN PLATE AREA, 0.00381-0.00889 [.000150-.000350] THICK, ALL FOUR SIDES 3.18 [.125].
- 10 TOLERANCES APPLY TO SOLDER SIDE OF BOARD.
- 11 ONE HOLE MAY BE UNDERSIZED 0.81-0.90 [.032-.035] DIAMETER FOR ASSEMBLY RETENTION DURING PROCESSING.
- 12 TE LOGO, UL, AND CSA TRADEMARKS TO APPEAR ON THIS SURFACE.

YES	4	12.70 [.500]	5	1744053-1
LEAD FREE	OMIT POST(S) NO.	L	NO OF POSN	PART NO

THIS DRAWING IS A CONTROLLED DOCUMENT.		DWN R. WHITAKER 13APR04	TE Connectivity	
DIMENSIONS: mm [INCHES]		CHK D. BOSSI 13APR04	NAME MTA-100 HEADER ASSY, HIGH TEMPERATURE FRICTION LOCK, .025 SQUARE, STRAIGHT POST, .000015 GOLD, OMIT POST 4	
TOLERANCES UNLESS OTHERWISE SPECIFIED:		APVD D. BOSSI 13APR04	PRODUCT SPEC	
0 PLC ±	1 PLC ±	APPLICATION SPEC		
2 PLC ±	3 PLC ±	SIZE		
4 PLC ±	ANGLES ±	CAGE CODE DRAWING NO		
MATERIAL		WEIGHT		
FINISH		RESTRICTED TO		
: 4		A100779C=1744053		
CUSTOMER DRAWING		SCALE 5:1 SHEET 1 OF 1 REV D1		

单击下面可查看定价，库存，交付和生命周期等信息

[>>TE Connectivity\(泰科\)](#)