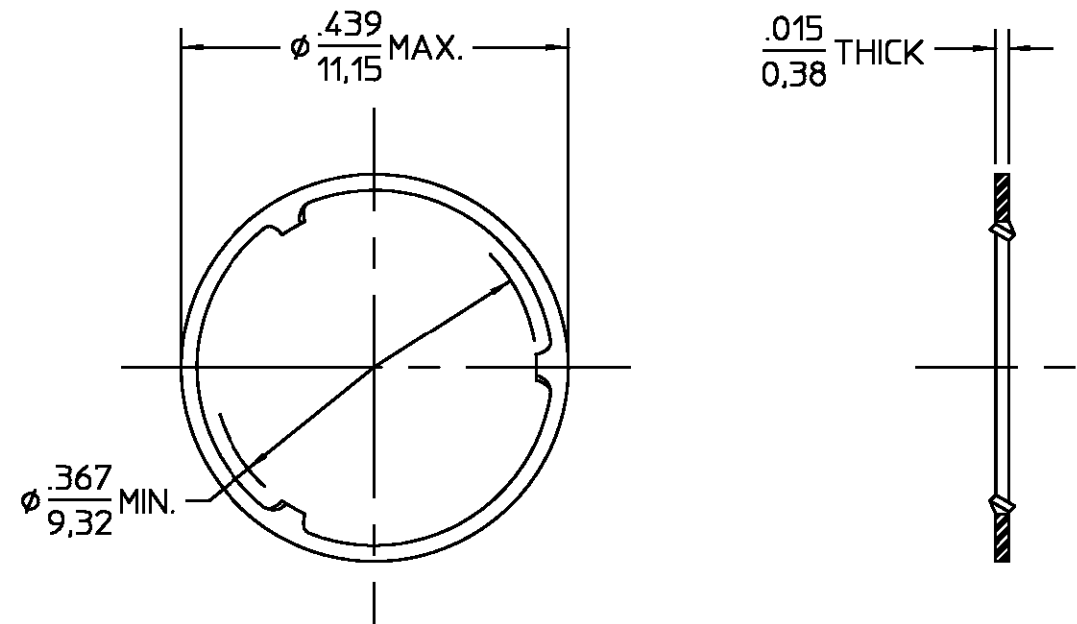


REVISIONS			
REV	DESCRIPTION	DATE	APPROVED
01 ₀	RELEASED	2/19/99	



LOCKWASHER	CARBON STEEL 1050	NICKEL PLATE PER QQ-N-290	
COMPONENT	MATERIAL	FINISH	
UNLESS OTHERWISE SPECIFIED DIMENSIONS ARE IN INCHES FRAC. ± 1/64 DEC. ±.005 ANGLES ± 1°	DRAWN BY DMM DATE 2/19/99	AMP Incorporated 140 Fourth Avenue Waltham, MA 02451-7599	
	CHECKED BY		
These drawings and specifications are the property of AMP Interconnect Division and shall not be reproduced or copied or used in whole or in part as the basis for the manufacture or sale of item(s) without written permission.	APPD BY 2/19/99	TITLE LOCKWASHER	
	USE ASSY PROCEDURE	SIZE B	CODE IDENT NO. 26805
	NO. A.P. N/A	SCALE 5:1	4598-5075-10
		SHEET 1 OF 1	

.XXX = in
XX.X = mm (REF)

CUSTOMER DRAWING

AMP PART # 1059782-1
SHEET 1 OF 1 REV A

单击下面可查看定价，库存，交付和生命周期等信息

[>>TE Connectivity\(泰科\)](#)