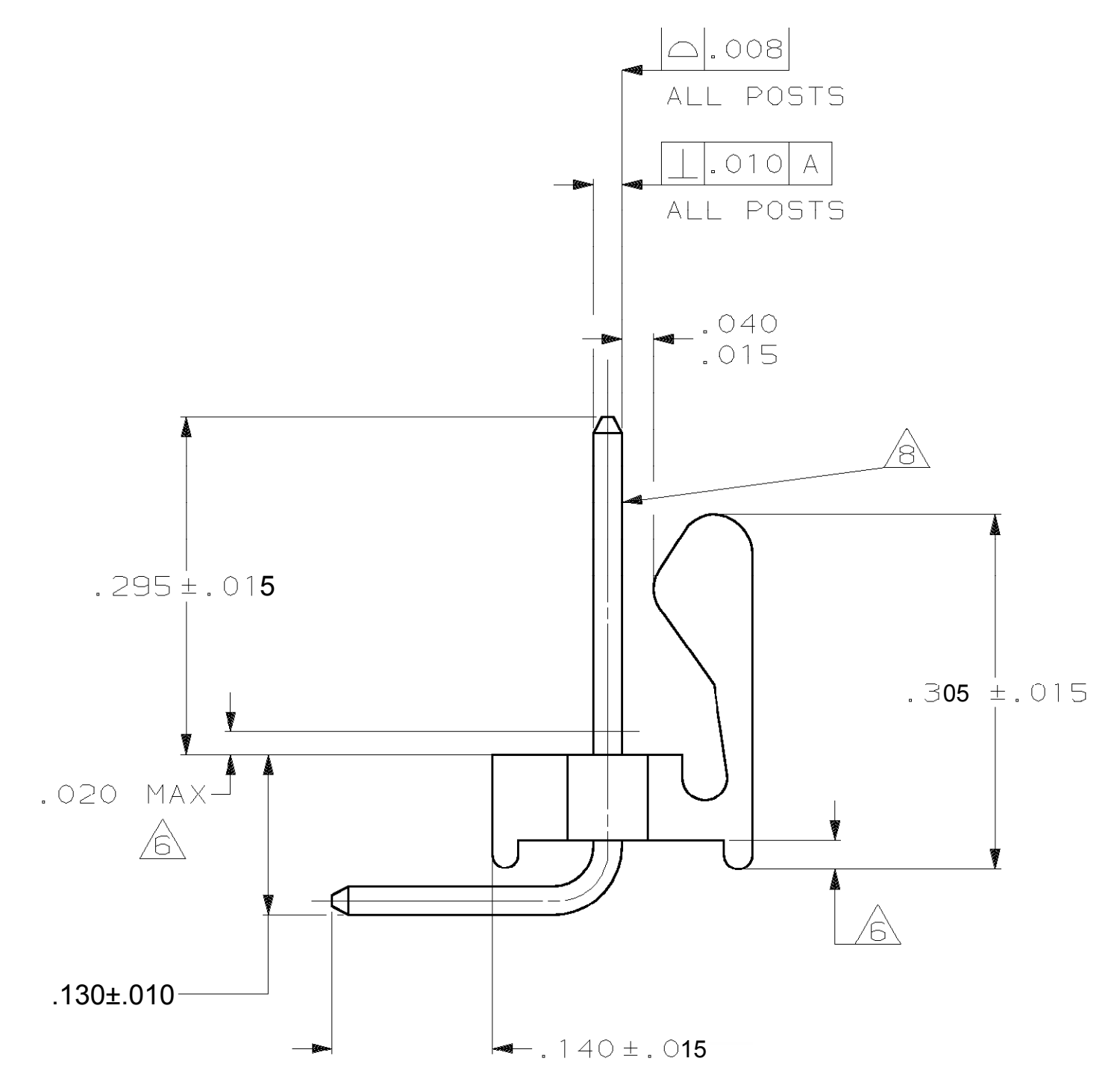
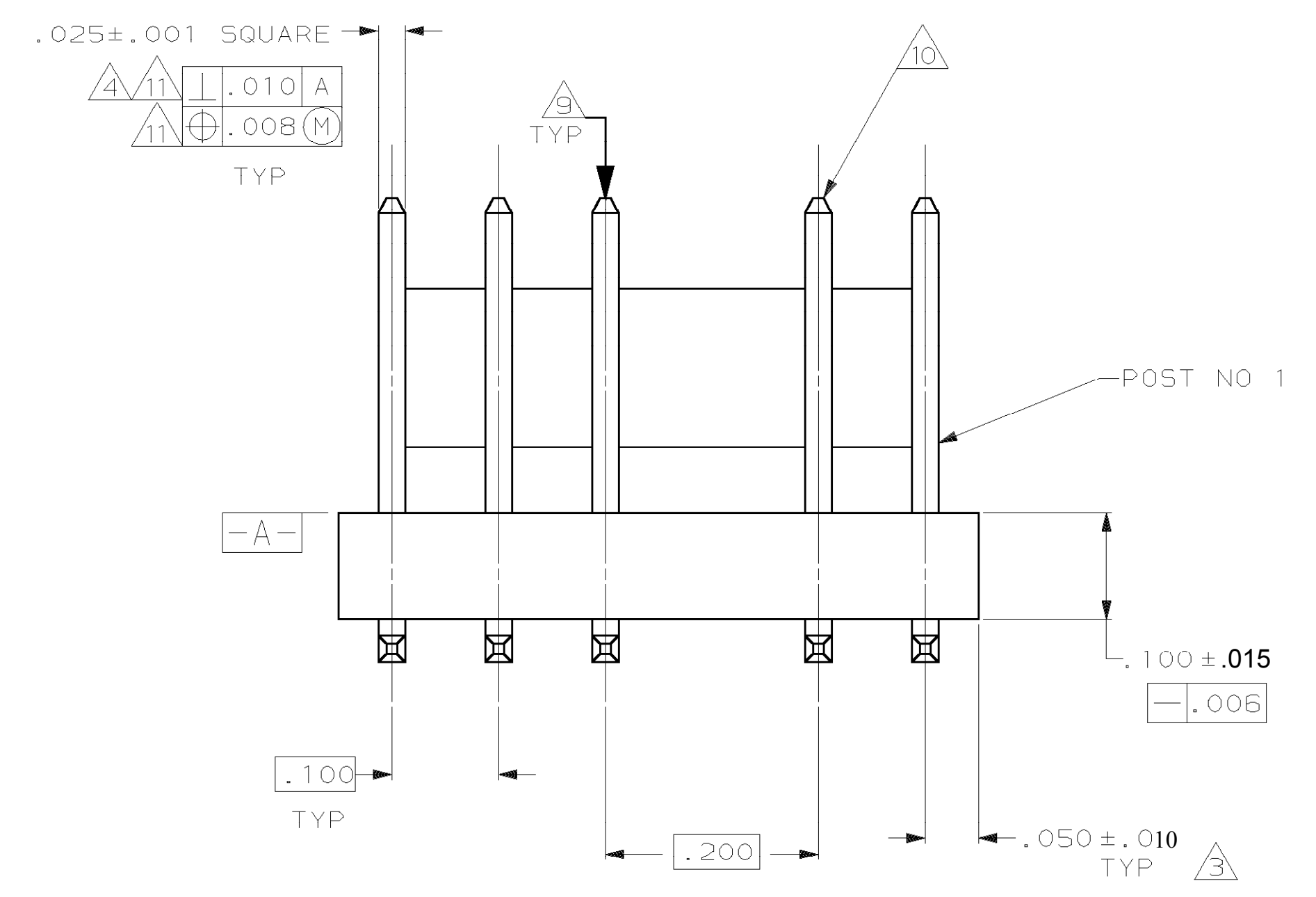
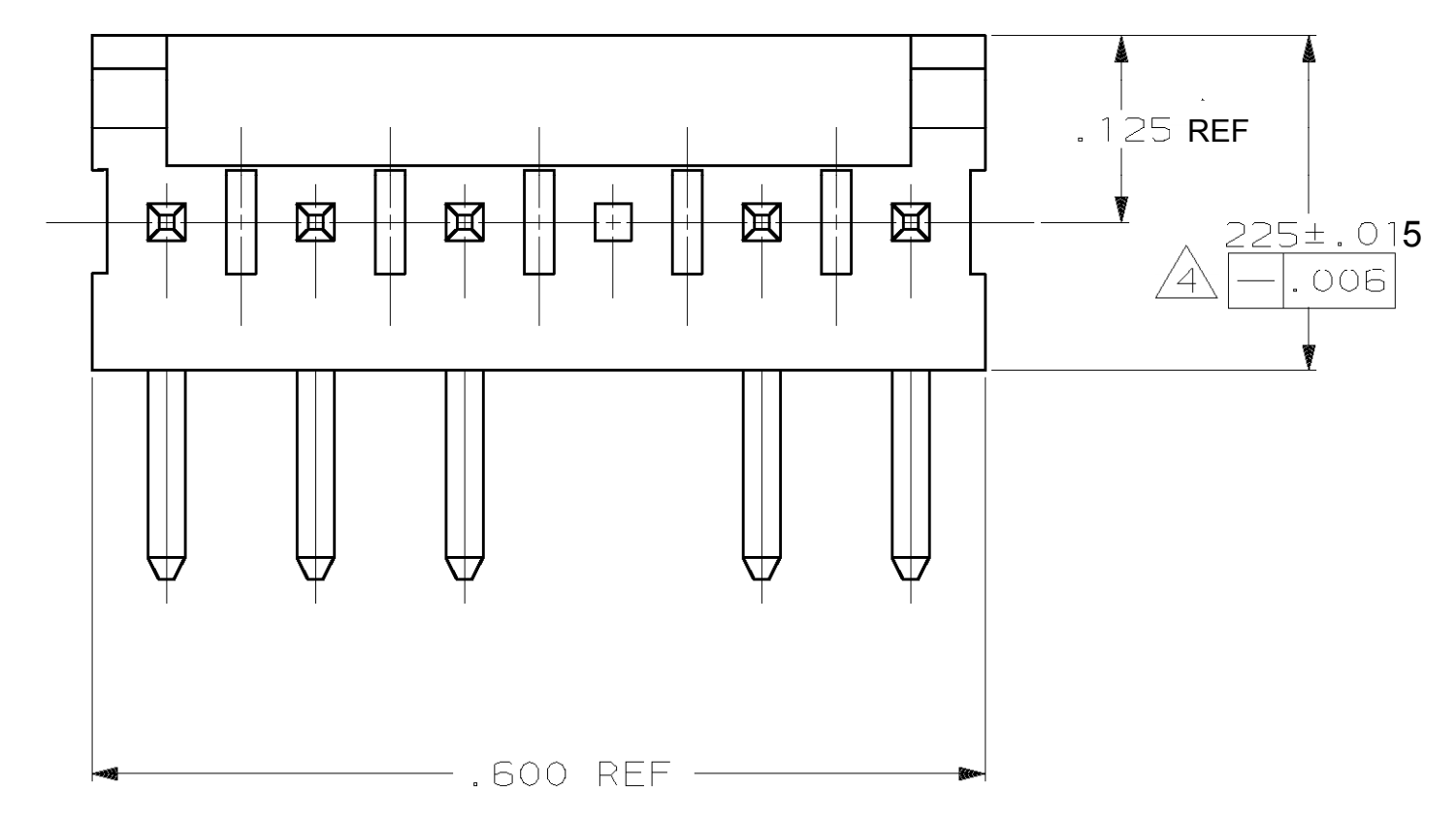
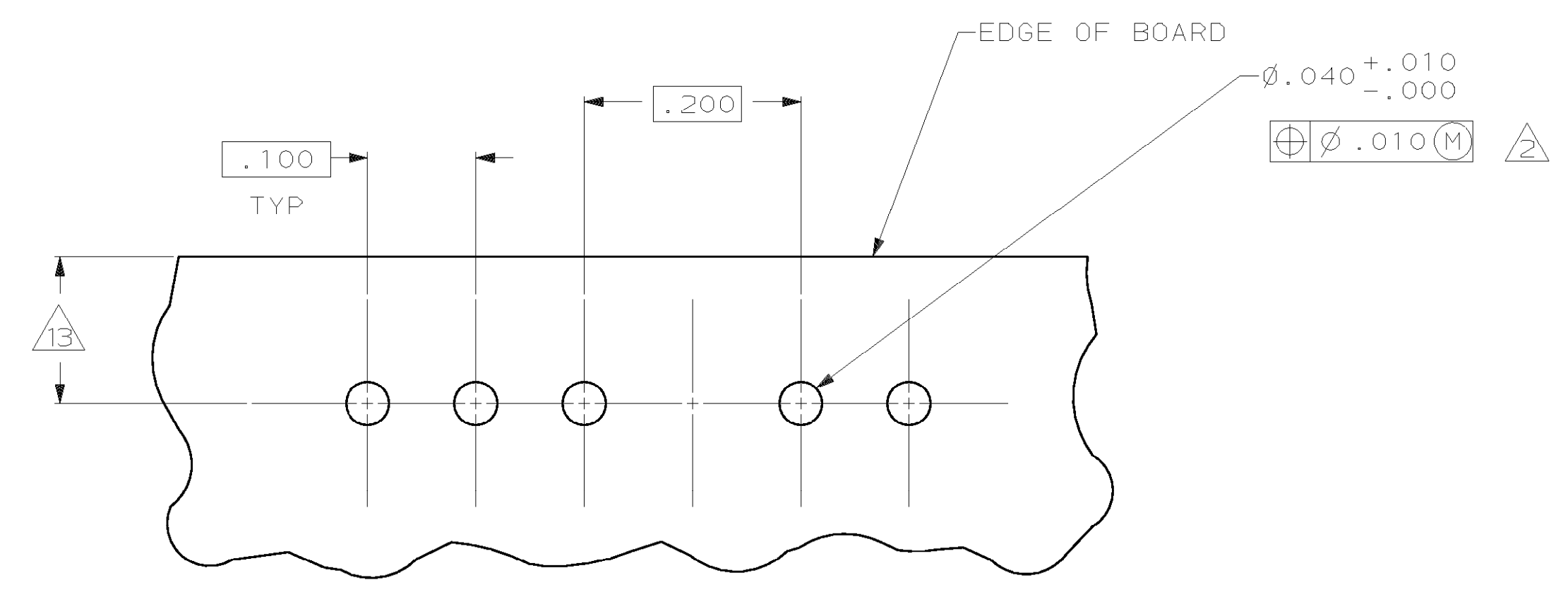


LOC		D1ST		P		F		ZONE		LTR		REVISIONS		DATE	DWN	APVD
CM	54												DESCRIPTION	07MAR16	NK	NL
													W2			
													REVIS PER ECR-15-014064			



- 1 MATERIAL: HEADER THERMPLASTIC POLYESTER
UL94V-0 (NATURAL)
POST COPPER ALLOY
- 2 ONE HOLE MAY BE UNDERSIZED (.032-.035 DIA)
FOR ASSEMBLY RETENTION DURING WAVE SOLDERING.
- 3 COORDINATE DIMENSION APPLIES FROM CENTER OF
ACTUAL FEATURE.
- 4 MEASURED AT -A-
- 5 ASSEMBLIES MUST COMPLY WITH AMP SOLDERABILITY
SPEC. NO. 109-11-2.
- 6 PLASTIC AROUND POST PERMISSIBLE IN THIS AREA ONLY.
- 7 PLASTIC BURRS CAUSED BY CUT-OFF TOOLING ARE
PERMITTED WITHIN THE MAXIMUM TOLERANCE ENVELOPE.
- 8 POSTS MUST WITHSTAND TWO 90° BENDS AGAINST
EXTRUSION WITHOUT BREAKING.
- 9 POST TO WITHSTAND 3 LBS MIN. AXIAL FORCE IN
DIRECTION SHOWN WITHOUT DISLODGING.
- 10 PIN BURRS OF .005 MAX VERTICAL AND .003 MAX
HORIZONTAL PERMITTED AT POST TIPS ON BOTH ENDS.
- 11 POSTS TO BE MEASURED WHEN STRIP IS HELD FLAT.
- 12 SOLDER SIDE OF BOARD SHOWN.
- 13 DIMENSION SHOULD BE .110-.160 WHEN MATING WITH A
MTA-100 CONNECTOR ASSEMBLY OR .110-.120 WHEN MATING
WITH A CST 100 CONNECTOR.



RECOMMENDED MOUNTING HOLE PATTERN
 FOR .063 THICK P.C. BOARD

	IN	MM	IN	MM
.050	1.27	-	-	-
.040	1.02	.600	15.24	
.035	0.89	.310	7.87	
.032	0.81	.295	7.49	
.025	0.64	.225	5.72	
.020	0.51	.200	5.08	
.015	0.38	.160	4.06	
.010	0.25	.140	3.56	
.008	0.20	.125	3.18	
.006	0.15	.120	3.05	
.005	0.13	.110	2.79	
.003	0.08	.100	2.54	
.001	0.03	.063	1.60	
IN	MM	IN	MM	

CONVERSION TABLE

644679-1 SHOWN

5		644679-2	
3		644679-1	
POST NUMBER OMITTED		PART NO	
DR 9-9-92 K. SALMON		TE Connectivity	
CHK 9-9-92 R. SWING			
APPD 9-14-92 R. SPEER		NAME MTA-100 HEADER ASSEMBLY, FRICTION LOCK, NOTCHED, .025 SQUARE RIGHT ANGLE POST, TIN PLATED, 6 POSITION, OMITTED POST	
APPD 9-14-92 R. SPEER		PRODUCT SPEC -	
MATERIAL		FINISH	
APPLICATION SPEC		SCALE 8:1	
SIZE		DRAWING NO	
CAGE CODE		REV	
D 00779		C-644679	
WEIGHT		SHEET 1 OF 1	
		W2	

单击下面可查看定价，库存，交付和生命周期等信息

[>>TE Connectivity\(泰科\)](#)