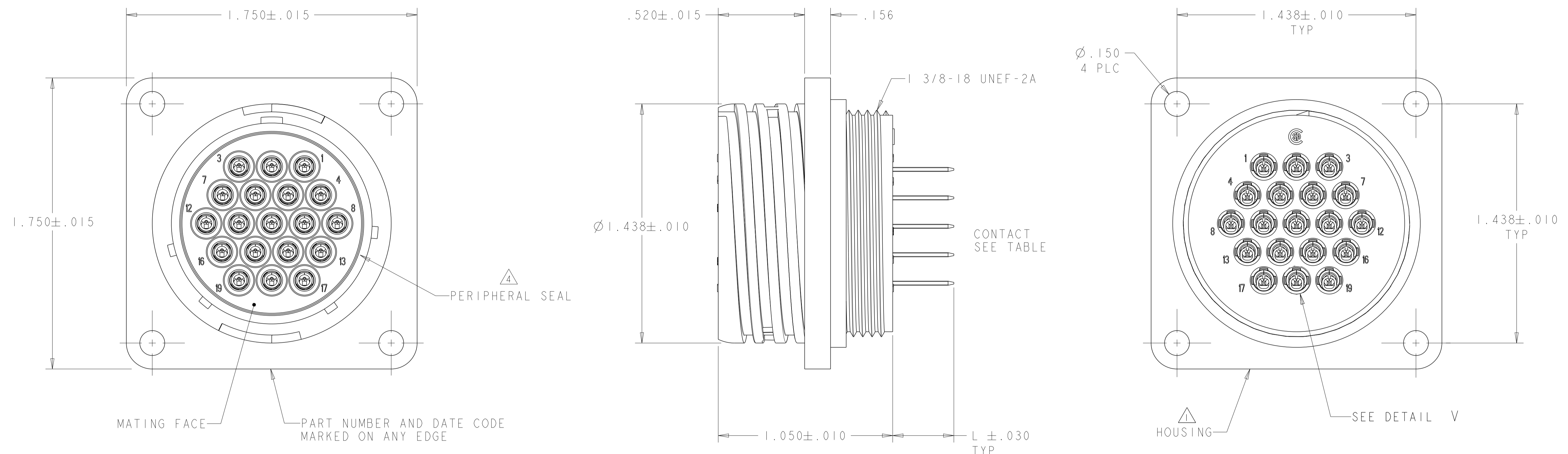


REVISIONS				
P	LTN	DESCRIPTION	DATE	APVD
M2		REVISED PER ECO-16-004800	10SEP2016	NK MZ
N		REVISED PER ECO-16-018356	23MAR2017	RS MZ
P		REVISED PER ECO-19-011232	08AUG2019	RS MZ



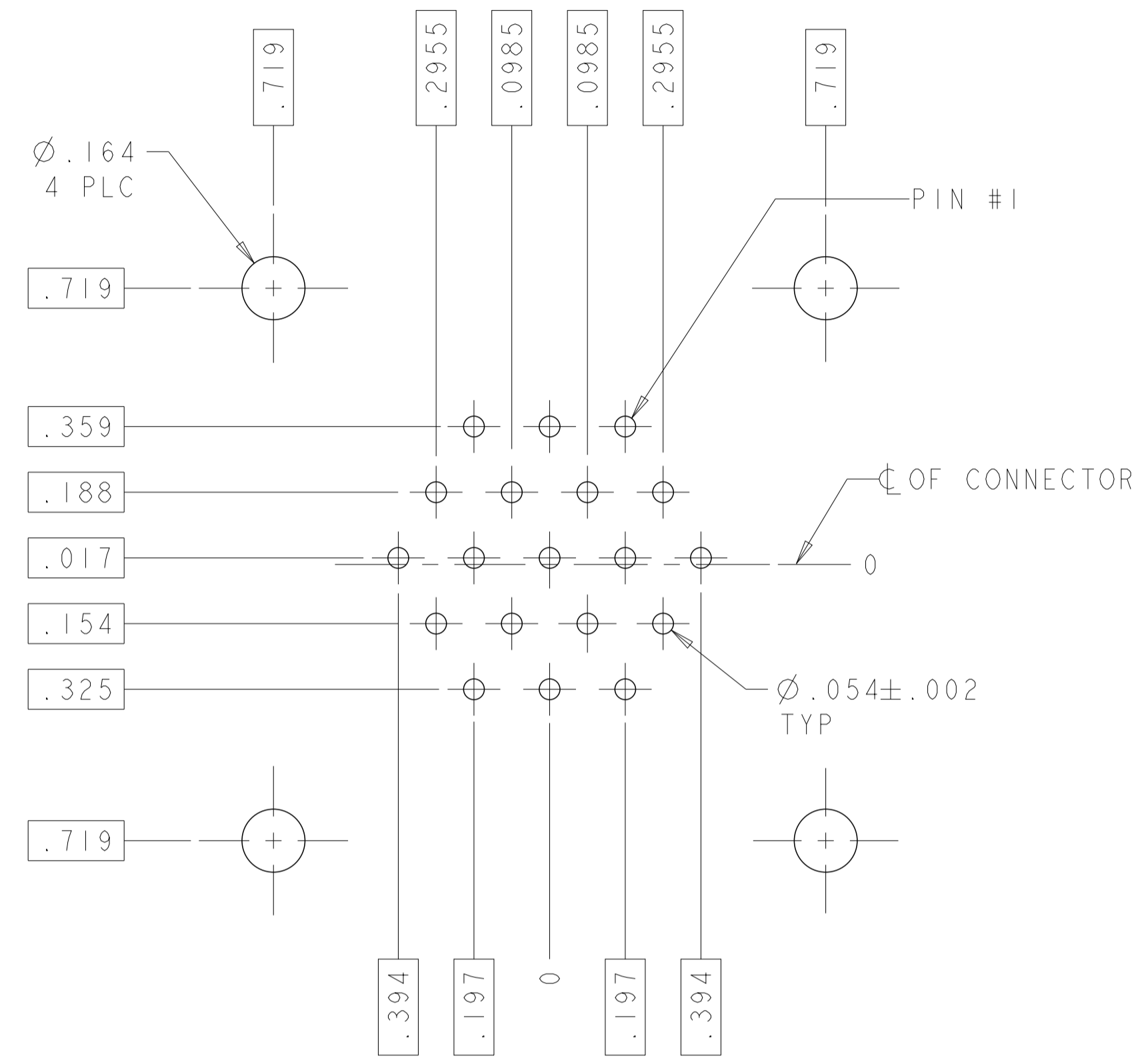
- ① HOUSING: NYLON, UL 94 V-0 RATED, COLOR: BLACK.
- ② CONTACT:  
BODY - BRASS, .000030 MIN GOLD FOR A LENGTH OF .200 MIN FROM MATING END, GOLD FLASH ON REMAINDER, BOTH OVER .000050 MIN NICKEL.  
POST - BRASS, .000100 MIN TIN-LEAD OVER .000050 MIN NICKEL.
- ③ CONTACT:  
BODY - BRASS, .000100 MIN TIN-LEAD OVER .000050 MIN NICKEL.  
POST - BRASS, .000100 MIN TIN-LEAD OVER .000050 MIN NICKEL.
- ④ PERIPHERAL SEAL: ELASTOMER, COLOR: BLACK.
- ⑤ .009 MAXIMUM CONTACT LEAD-IN SEAM GAP PERMISSIBLE ON MATING FACE END.
- ⑥ CONTACT:  
BODY - BRASS, .000030 MIN GOLD OVER .000030 MIN NICKEL.  
POST - BRASS, .000100 MIN TIN-LEAD OVER .000050 MIN NICKEL.
- ⑦ CONTACT:  
BODY - BRASS, .000100 MIN TIN OVER .000050 MIN NICKEL.  
POST - BRASS, .000100 MIN TIN OVER .000050 MIN NICKEL.
- ⑧ CONTACT:  
BODY - BRASS, .000030 MIN GOLD FOR A LENGTH OF .200 MIN FROM MATING END, GOLD FLASH ON REMAINDER, BOTH OVER .000050 MIN NICKEL.  
POST - BRASS, .000100 MIN TIN OVER .000050 MIN NICKEL.
- ⑨ OBSOLETE PARTS: OBSOLETE CIS STREAMLINING PER D.RENAUD/D.SINISI

	YES	.368	⑧	1-4,7,8,10-12,14-19	1-213781-0
OBSOLETE	NO	.557	⑧	ALL	-213781-9
OBSOLETE	NO	.348	⑦	ALL	-213781-8
⑨ OBSOLETE	YES	.368	⑦	1-4,7,8,10-12,16-19	-213781-7
	YES	.368	⑥	1-4,7,8,10-12,16-19	-213781-6
OBSOLETE	YES	.368	③	1-4,7,8,10-12,16-19	-213781-5
OBSOLETE	YES	.368	③	1-4,7,8,10-12,16-19	-213781-4
	YES	.368	③	1-4,7,8,10-12,16-19	213781-2
OBSOLETE	NO	.557	②	ALL	-213781-1
	PERIPHERAL SEAL	L	CONTACT FINISH	SELECT LOADED IN POSITIONS	PART NUMBER

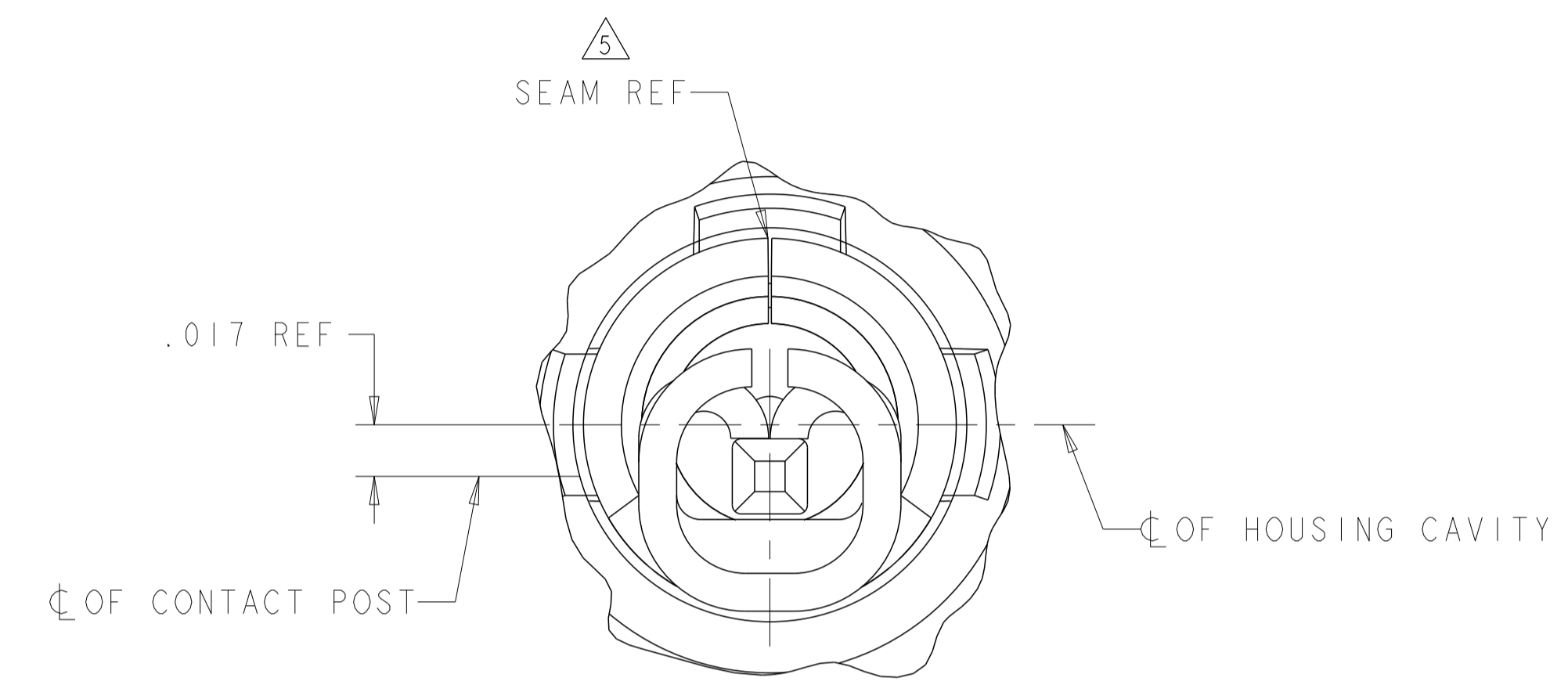
THIS DRAWING IS A CONTROLLED DOCUMENT.

DIMENSIONS:	TOLERANCES UNLESS OTHERWISE SPECIFIED:	DWN S. WELDON ZIMAY2003	CHK S. HEADER ZIMAY2003
INCHES	0 PLC ±.0	APVD S. HEADER ZIMAY2003	NAME
	1 PLC ±0.0	PRODUCT SPEC	RECEPTACLE ASSEMBLY, POSTED, REVERSE SEX, SERIES 1, 23-19, CPC
	2 PLC ±0.00	APPLICATION SPEC	
	3 PLC ±0.000	114-10038	SIZE CAGE CODE DRAWING NO RESTRICTED TO
	4 PLC ±0.0000	WEIGHT	A 100779C=213781
	ANGLES ±.0000	CUSTOMER DRAWING	SCALE 3:1 SHEET 1 OF 2 REV P

REVISIONS				
P	LTN	DESCRIPTION	DATE	APVD
-	-	SEE SHEET 1	-	-



RECOMMENDED PC BOARD LAYOUT



DETAIL V  
SCALE 20:1

THIS DRAWING IS A CONTROLLED DOCUMENT.		DWN S. WELDON ZIMAY2003																	
DIMENSIONS: INCHES		CHK S. HEADER ZIMAY2003																	
<table border="1"> <tr> <th>TOLERANCES UNLESS OTHERWISE SPECIFIED:</th> <th></th> </tr> <tr> <td>0 PLC</td> <td>±.000</td> </tr> <tr> <td>1 PLC</td> <td>±0.0</td> </tr> <tr> <td>2 PLC</td> <td>±0.00</td> </tr> <tr> <td>3 PLC</td> <td>±0.000</td> </tr> <tr> <td>4 PLC</td> <td>±0.0000</td> </tr> <tr> <td>ANGLES</td> <td>±.0000</td> </tr> <tr> <td>FINISH</td> <td>±.0000</td> </tr> </table>		TOLERANCES UNLESS OTHERWISE SPECIFIED:		0 PLC	±.000	1 PLC	±0.0	2 PLC	±0.00	3 PLC	±0.000	4 PLC	±0.0000	ANGLES	±.0000	FINISH	±.0000	APVD S. HEADER ZIMAY2003	NAME RECEPTACLE ASSEMBLY, POSTED, REVERSE SEX, SERIES 1, 23-19, CPC
TOLERANCES UNLESS OTHERWISE SPECIFIED:																			
0 PLC	±.000																		
1 PLC	±0.0																		
2 PLC	±0.00																		
3 PLC	±0.000																		
4 PLC	±0.0000																		
ANGLES	±.0000																		
FINISH	±.0000																		
MATERIAL		PRODUCT SPEC 108-10024	SIZE CAGE CODE DRAWING NO RESTRICTED TO																
		APPLICATION SPEC 114-10038	A 100779 C=213781																
		WEIGHT	CUSTOMER DRAWING																
		SCALE 3:1	SHEET 2 OF 2 REV P																

单击下面可查看定价，库存，交付和生命周期等信息

[>>TE Connectivity\(泰科\)](#)