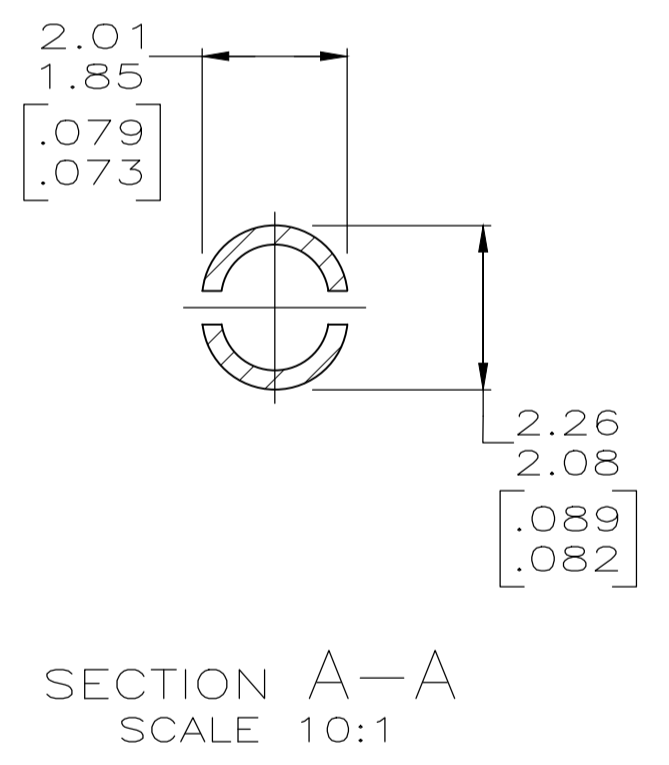
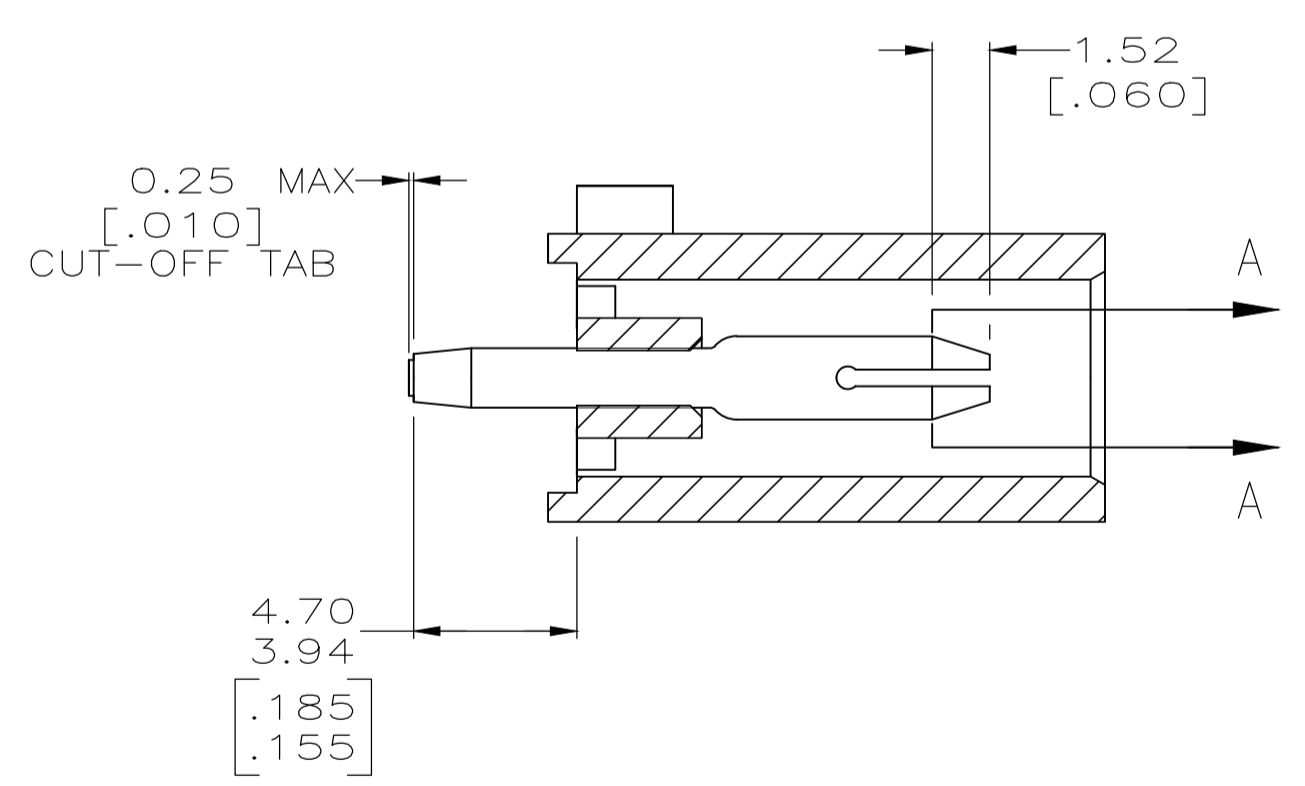
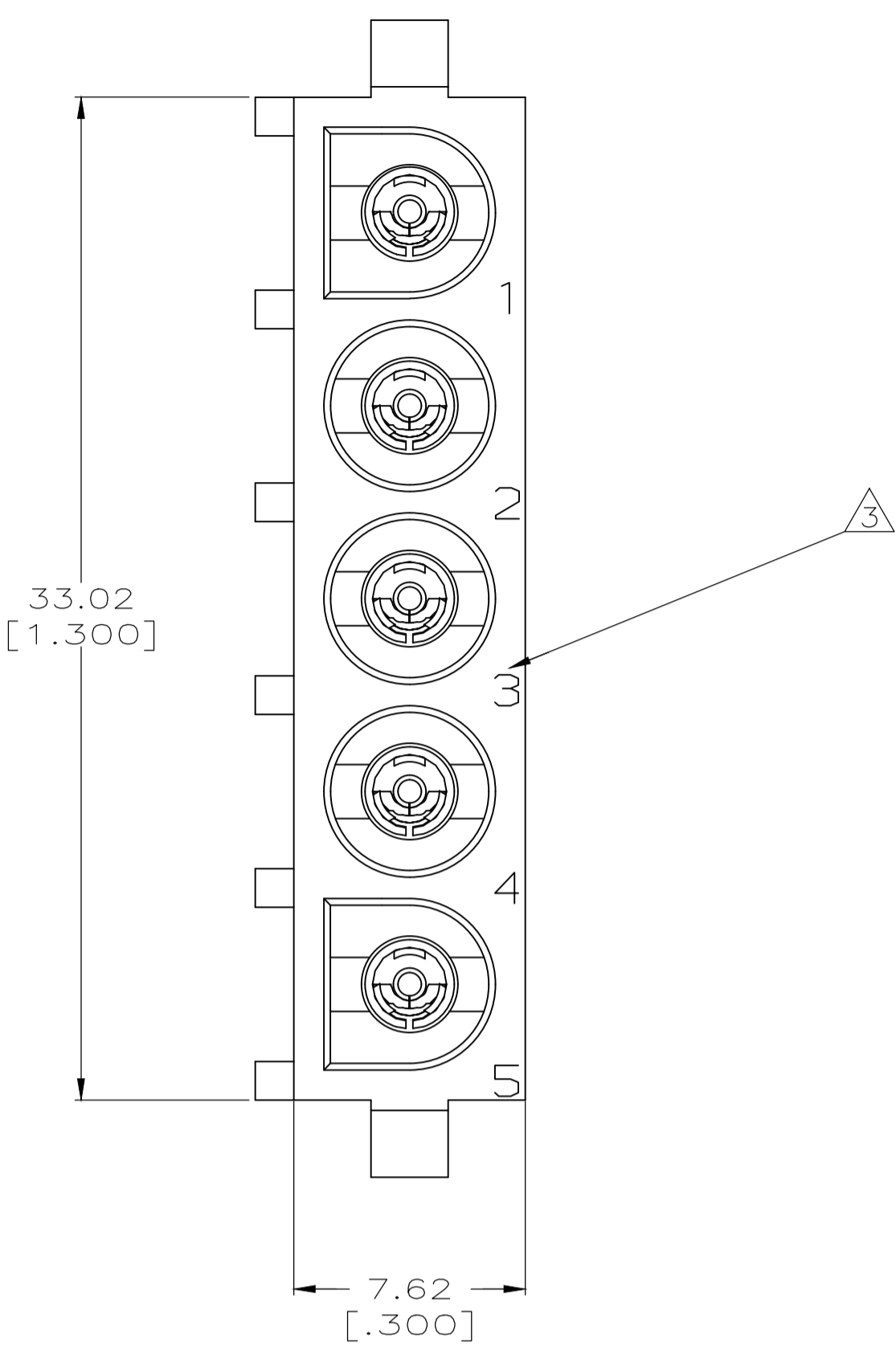
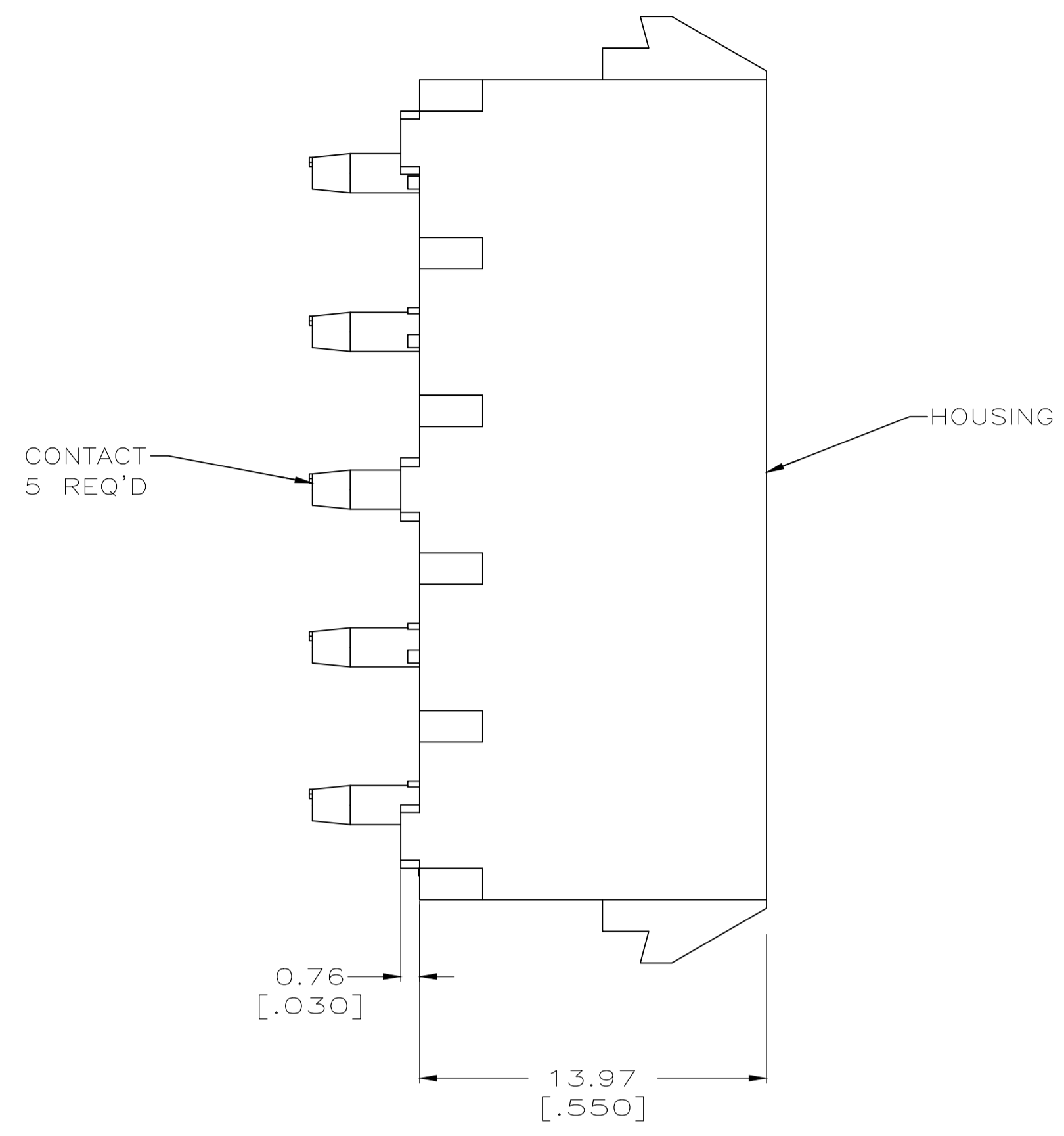
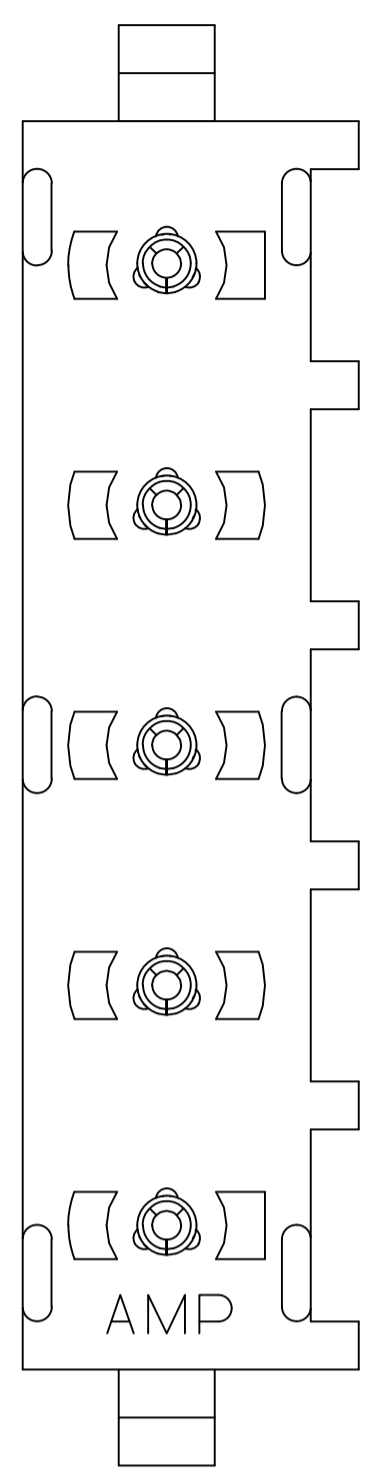
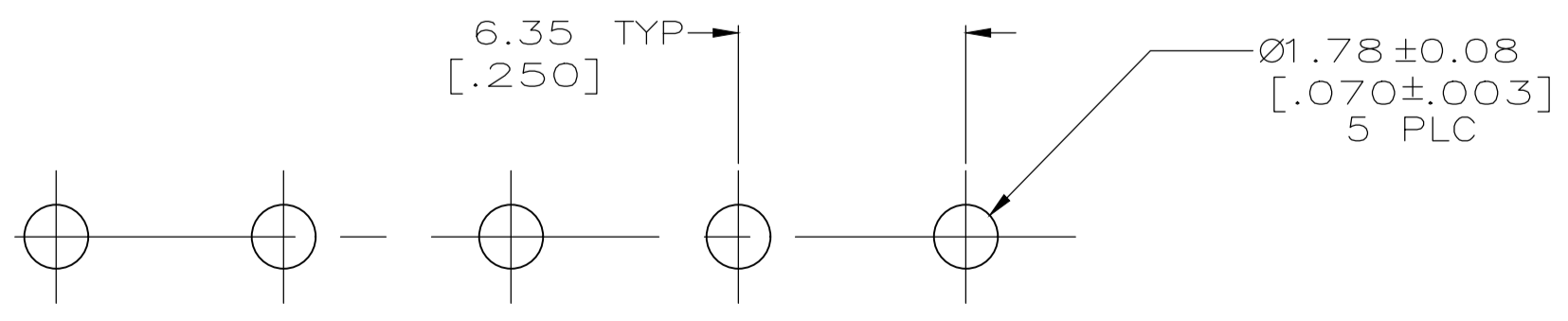


REVISIONS					
P	LTR	DESCRIPTION	DATE	DMN	APVD
B1		REV PER ECO-19-012183	06AUG2019	RS	SF

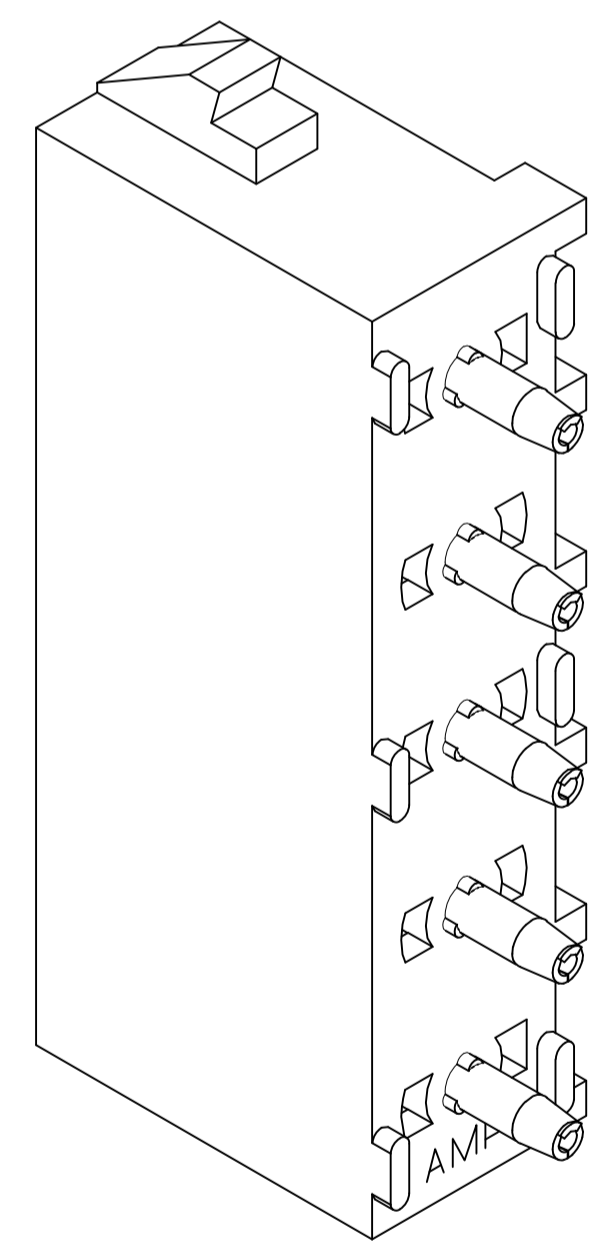


SECTION A-A
SCALE 10:1



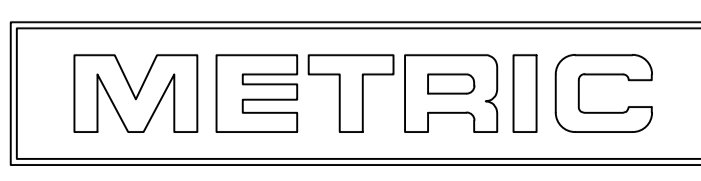
RECOMMENDED MOUNTING HOLE PATTERN FOR 1.57 [.062] THICK P.C. BOARD

- PARTS COMPLY TO AMP SOLDERABILITY SPECIFICATION 109-11-3.
- DIMENSIONS IN BRACKETS ARE IN INCHES.
- △ CIRCUIT IDENTIFICATION CHARACTERS ARE ADJACENT TO THE INDICATED CAVITIES, BUT LOCATION AND ORIENTATION MAY DIFFER FROM PRINT.
- FLAMMABILITY V2 FOR THICKNESS 0.38mm, 1.5mm, and 3.0mm PER IEC 60695-11-10.
- GLOW-WIRE FLAMMABILITY (GWFI) 800°C FOR THICKNESS 0.38mm AND 0.75mm PER IEC 60695-2-12.
- GLOW-WIRE FLAMMABILITY (GWFI) 960°C FOR THICKNESS 1.5mm AND 3.0mm PER IEC 60695-2-12.
- GLOW-WIRE IGNITION (GWIT) 825°C FOR THICKNESS 0.38mm, 0.75mm, 1.5mm AND 3.0mm PER IEC 60695-2-13.
- DIMENSIONS SHOWN REPRESENT PRODUCT IN DRY, AS MOLDED CONDITION. ADDITIONAL 2% GROWTH DUE TO SUBSEQUENT MOISTURE ABSORPTION MAY OCCUR AND SHOULD BE ACCOUNTED FOR



3-DIMENSIONAL MODEL NTS

PHOSPHOR BRONZE, PRE-TIN PIN CONTACT MATERIAL AND FINISH		NYLON, UL94V-2, NATURAL HOUSING MATERIAL		1586968-1 PART NUMBER	
THIS DRAWING IS A CONTROLLED DOCUMENT.		DIN K. WHITAKER 07AUG2007 CHK D. COLEY 07AUG2007		TE Connectivity	
DIMENSIONS: mm [INCHES]		TOLERANCES UNLESS OTHERWISE SPECIFIED:		APVD D. COLEY 07AUG2007 NAME PRODUCT SPEC APPLICATION SPEC ANGLE ± 0.13 [.005] ANGLE ± 0.30°	
MATERIAL SEE TABLE		FINISH SEE TABLE		WEIGHT 0.000000 SIZE A1 CAGE CODE 00779 DRAWING NO. 1586968 CUSTOMER DRAWING	
				SCALE 5:1 SHEET 1 OF 1 REV B1	



单击下面可查看定价，库存，交付和生命周期等信息

[>>TE Connectivity\(泰科\)](#)