

THIS DRAWING IS UNPUBLISHED.

RELEASED FOR PUBLICATION

ALL RIGHTS RESERVED.

LOC
AD

DIST
47

REVISIONS

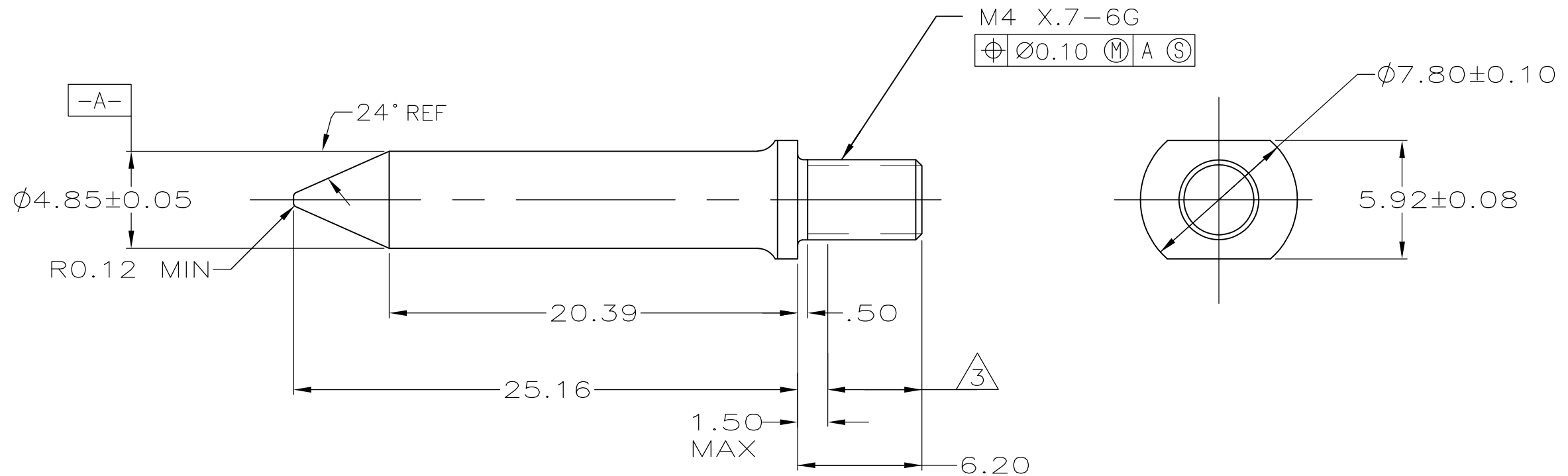
P	LTR	DESCRIPTION	DATE	DWN	APVD
	E3	REVISED PER ECR-15-012700	28AUG2015	ML	SZ

1 MATERIAL: STAINLESS STEEL.


2 FINISH: PASSIVATE.

3 LOCTITE DRI-LOC 204 APPLIED IN THIS AREA.

4. RECOMMENDED P.C. BOARD DRILLED HOLE DIAMETER IS 4.10±0.08mm IF APPLYING A NUT FROM THE REAR OF THE BOARD. IF USING WITH PEM NUT P/N KFS2-M4, DRILLED HOLE DIAMETER SHOULD BE 6.4±0.08mm.



223956-1
PART NUMBER

THIS DRAWING IS A CONTROLLED DOCUMENT.		DWN R.BUCHHEISTER 25/JAN/95	 TE Connectivity			
DIMENSIONS: mm		CHK D.ZITSCH 25/JAN/95				
TOLERANCES UNLESS OTHERWISE SPECIFIED:		APVD D.SINISI 25/JAN/95	NAME GUIDE PIN, UNIVERSAL POWER MODULE			
0 PLC ± - 1 PLC ± - 2 PLC ± 0.13 3 PLC ± - 4 PLC ± - ANGLES ± 0' 30'		PRODUCT SPEC -	APPLICATION SPEC -			
MATERIAL 1	FINISH 2 3	WEIGHT -	SIZE A3	CAGE CODE 00779	DRAWING NO C-223956	RESTRICTED TO -
CUSTOMER DRAWING			SCALE 4:1	SHEET 1 OF 1	REV E3	

单击下面可查看定价，库存，交付和生命周期等信息

[>>TE Connectivity\(泰科\)](#)