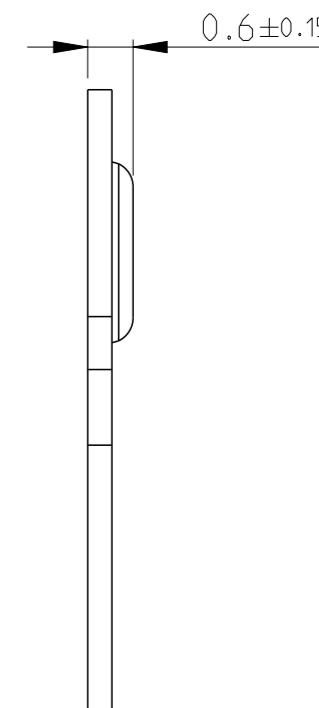
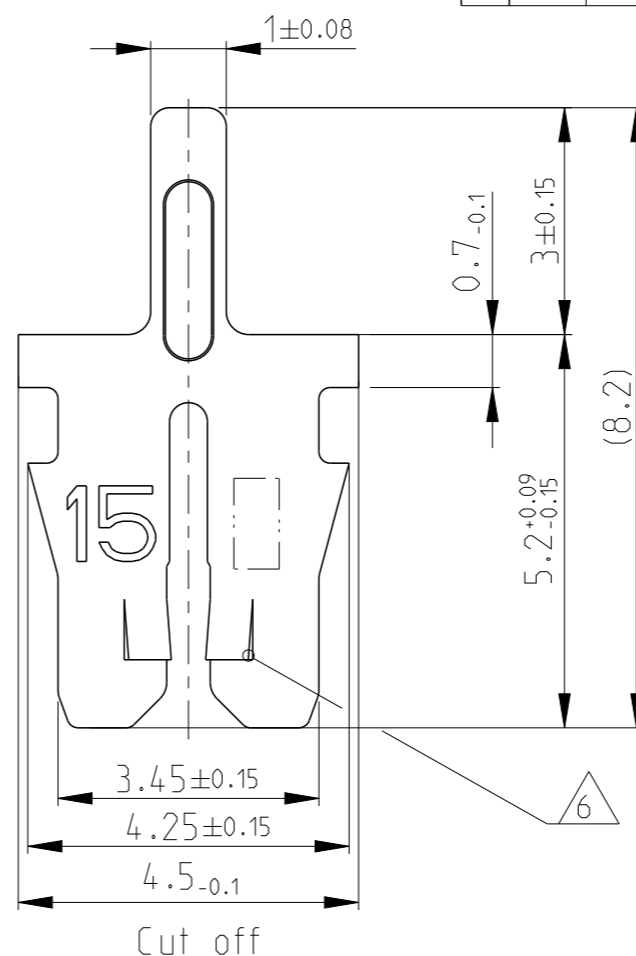
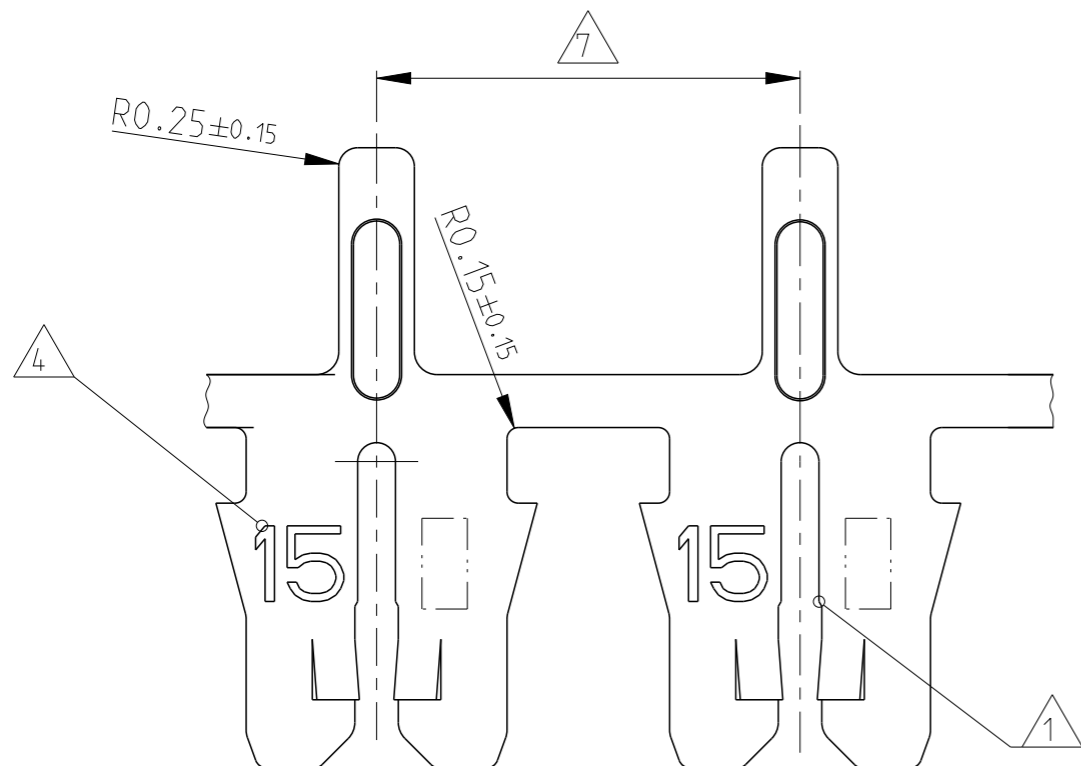


LOC
A1

DIST
-

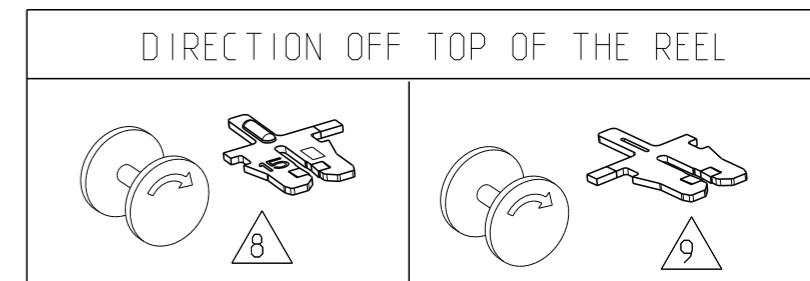
REVISIONS

P	LTR	DESCRIPTION	DATE	DWN	APVD
	A	INITIAL RELEASE	30JUN2011	PKS	RRP
	A1	ECR-14-003077	28FEB2014	PKS	RRP
	A2	ECR-14-009219	19JUN2014	PKS	RRP



NOTES

- 1 Geeignet fuer Kupferlackdraht $\varnothing 0.63...0.81\text{mm}$
Einzeldraht oder zwei Draehnte gleichen Durchmessers
SLOT ACCEPTS:
SINGLE OR DOUBLE MAGNET WIRE
SAME DIAMETERS 0.63...0.81mm DIA
- 2 Anlieferungszustand: Kontakte fortlaufend mit
Papierzwischenlage auf Kunststoffspule aufgewickelt
Max. 5 Splice Stellen pro Spule
Splice Stellen nicht miteinander verbunden
DELIVERYSTATE: CONTACTS CONTINUOUS REELED WITH PAPER
INTERLAYER ON PLASTIC-REEL.
MAX. 5 SPLICES PER REEL
SPLICES BE NOT BONDED TOGETHER.
- 3 Kontaktkammer nach Zeichnung } 411-18516
CAVITY ACCORDING DWG.
- 4 Kennziffer fuer Drahtgroessenbereich (15)
IDENTIFICATION NO. FOR MAGNET WIRE RANGE (15)
- 5 Materialdicke } 0.32 ± 0.02
STOCK THICKNESS
- 6 Materialdicke an den Stripping shoulders ist $0.32^{+0.04}$
STOCK THICKNESS AT THE STRIPPING SHOULDERS IS $0.32^{+0.04}$
- 7 DIE FEED 5.6 ± 0.05



TE PART NO	REV.	MATERIAL	SURFACE COLOR	DESCRIPTION	REELING
1740829-2	A	CuSn	PRETINNED	MAG-MATE .300 mod.	9
1740829-1	A	CuSn	PRETINNED	MAG-MATE .300 mod.	8

THIS DRAWING IS A CONTROLLED DOCUMENT.

DWN SENTHIL 30JUN2011
CHK SENTHIL 30JUN2011
APVD RAJENDRA 01JUL2011

NAME: MAG-MATE Kontakt mit Loetpin

TE Connectivity

PRODUCT SPEC: -
APPLICATION SPEC: -
WEIGHT: -

SIZE: A3 CAGE CODE: 00779 DRAWING NO: C-1740829 RESTRICTED TO: -

Customer Drawing SCALE: 10:1 SHEET: 1 OF 1 REV: A2

DIMENSIONS:	TOLERANCES UNLESS OTHERWISE SPECIFIED:
mm	0 PLC } ± 0.2 1 PLC } 2 PLC } 3 PLC } 4 PLC } ANGLES } $\pm 1^\circ$ FINISH } -
MATERIAL	SEE TABLE

单击下面可查看定价，库存，交付和生命周期等信息

[>>TE Connectivity\(泰科\)](#)