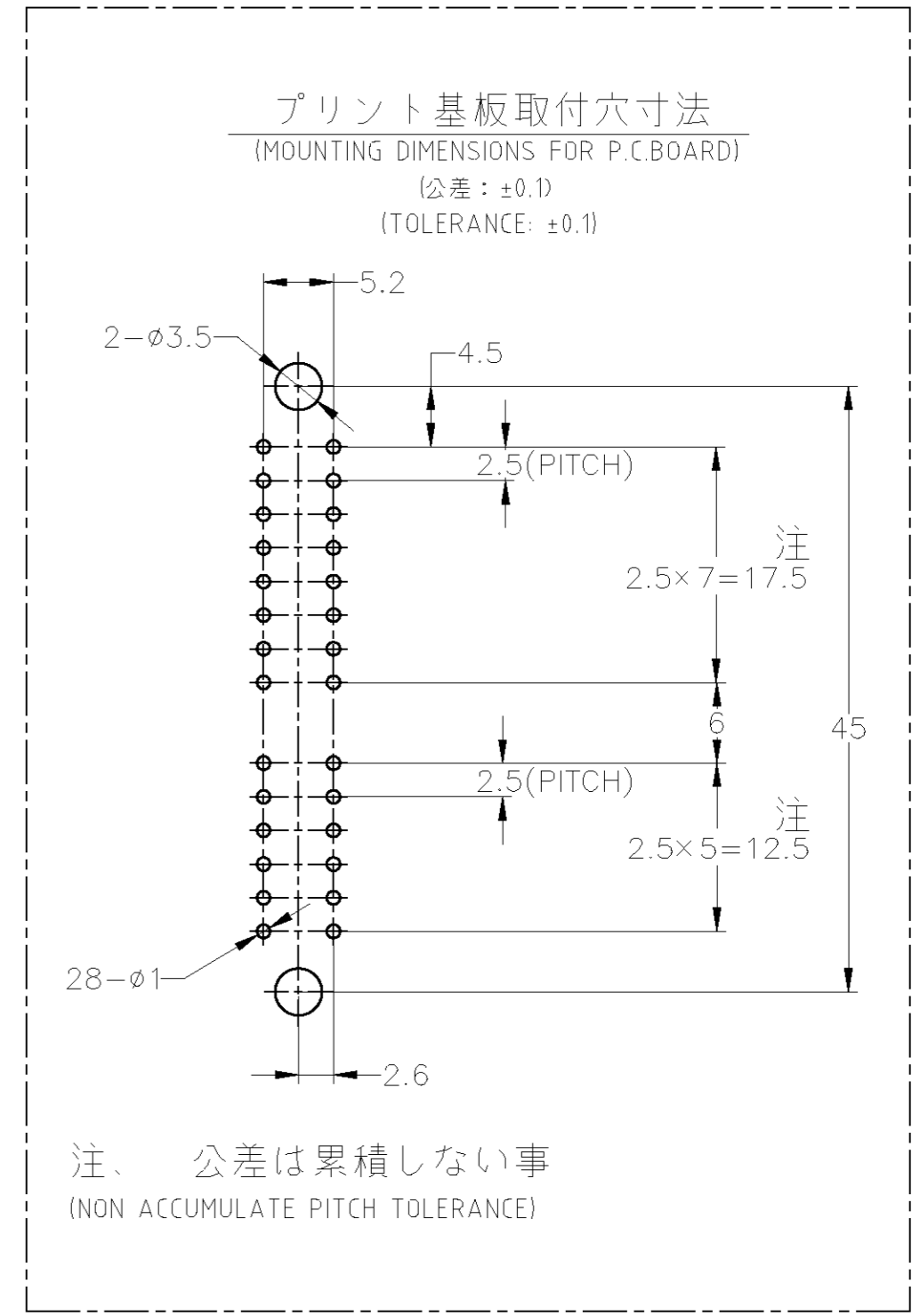
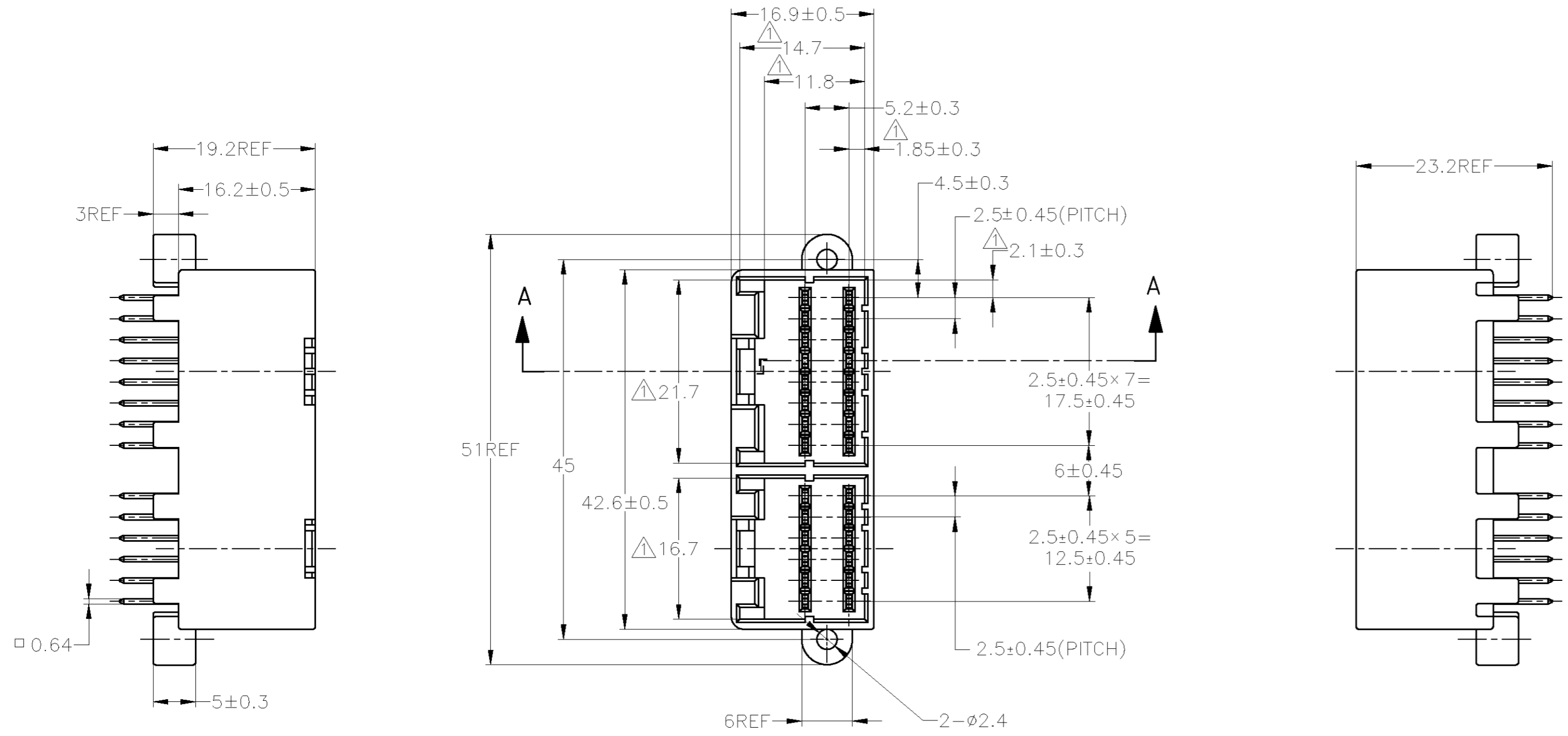


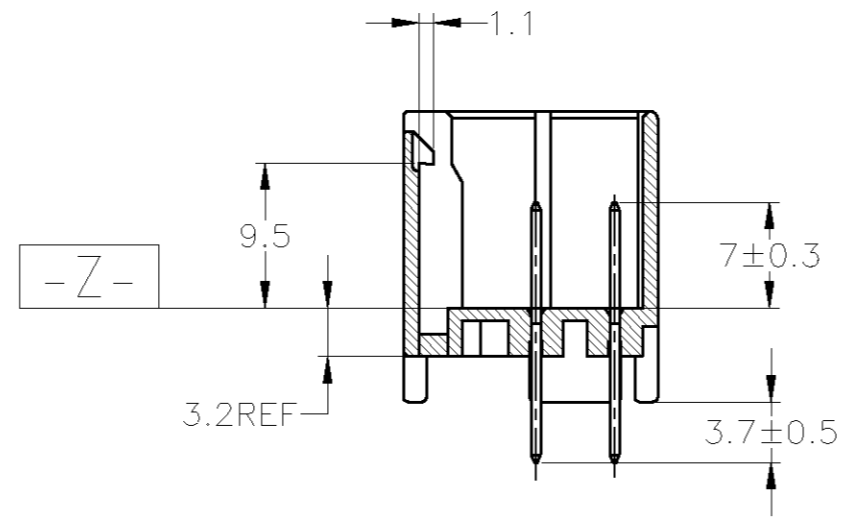
THIS DRAWING IS UNPUBLISHED. RELEASED FOR PUBLICATION
 © COPYRIGHT - By - ALL RIGHTS RESERVED.

LOC	DIST	REVISIONS					
J	-	P	LTR	DESCRIPTION	DATE	DWN	APVD
		D4		OBSOLETE -5	ECR-11-013812	08JUL11	TS KB



- △ TO BE MEASURED WITHIN 2mm FROM [-Z-]
- 2. APPLICABLE P.C.BOARD THICKNESS; 1.6mm
- 3. THE MATING COUNTERPART PART NUMBER; 174045,174046
- 4. RECOMMENDED MOUNTING SCREW; 3mm DIA, 6mm LENGTH TAPPING SCREW SPECIFIED IN JIS B1115,B1122. (TIGHTENING TORQUE;0.8N-M MAX.)

- △ [-Z-]面より2mmの範囲で測定
- 2. 適用プリント基板厚; 1.6mm
- 3. 嵌合相手ハウジング型番; 174045,174046
- 4. 推奨取付ネジ; JIS B1115,B1122 タッピンネジ、ナベ2種 呼び径3、長さ6mm (締付けトルク0.8N-M以下)



OBSOLETE	SELECTIVE-TIN	PRE-TIN	BLACK	2-174979-2
OBSOLETE		PRE-TIN	BLUE	174979-5
		PRE-TIN	GREEN	174979-4
		PRE-TIN	BLACK	174979-2
	SELECTIVE-TIN (MATTE)	SELECTIVE-TIN (BRIGHT)	BLACK	174979-1
	SOLDERING SIDE 半田付け部	CONTACT SIDE 接触部側	COLOR 色	PART NUMBER 製品型番
	CONTACT FINISH コンタクト仕上			

THIS DRAWING IS A CONTROLLED DOCUMENT.

DIMENSIONS: 単位: 桁 mm

TOLERANCES UNLESS OTHERWISE SPECIFIED: 一般公差

0 PLC ±
 1 PLC ±
 2 PLC ±
 3 PLC ±
 4 PLC ±
 ANGLES ±

MATERIAL 材料: HOUSING; PBT CONTACT; BRASS

FINISH 仕上: -

DWN M.SUGAWARA 05JUL2006
 CHK T.SHINOHARA 05JUL2006
 APVD K.BETSUI 05JUL2006

NAME 名称: 28POSITION CAP HOUSING ASSEMBLY 040 SERIES MULTI-LOCK I/O CONNECTOR VERTICAL TYPE

SIZE A2 CAGE CODE 00779 DRAWING NO. 174979

WEIGHT 9g

CUSTOMER DRAWING

SCALE 2:1 SHEET 1 OF 1 REV D4

RESTRICTED TO

单击下面可查看定价，库存，交付和生命周期等信息

[>>TE Connectivity\(泰科\)](#)