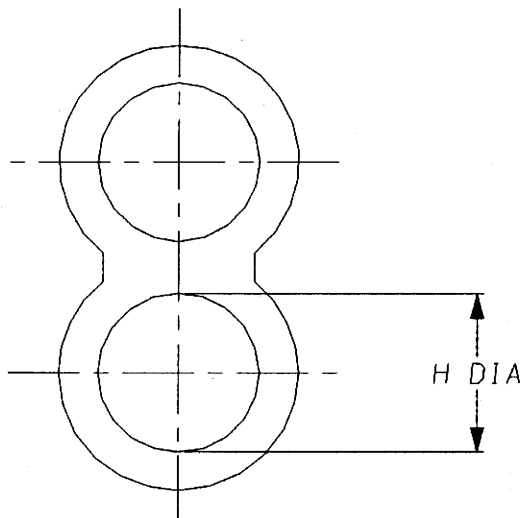
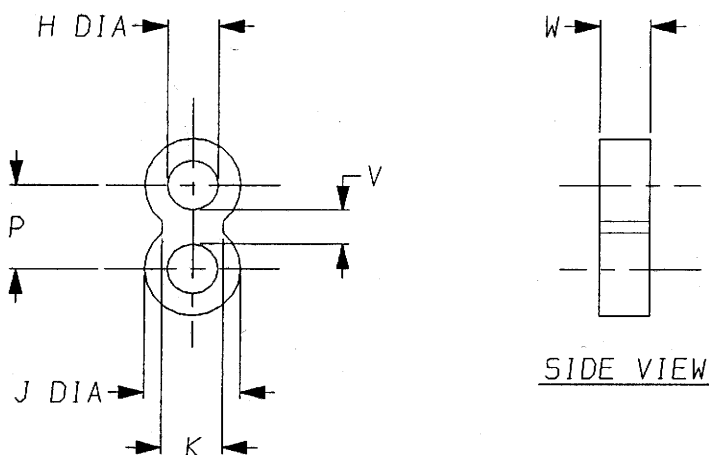


a) Part as supplied

400W242



b) Part after unrestricted recovery



DIMENSIONS (in millimetres)

Part No.	H		J	K	P	V	W
	MIN	MAX	MAX	±1.2	±1.7	±0.45	±1
	a	b	b	b	b	b	b
400W242-25	28	10.2	19.3	12	17	7.0	10

Copyright (!)

The copyright in this drawing is the property of Tyco Electronics UK Ltd. The drawing is issued on the condition that it is not copied, reproduced or disclosed to a third party, either in whole or in part without the prior written consent of Tyco Electronics UK Ltd.

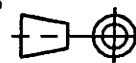
Drawn A.LILLEY. Checked *[Signature]* Issue 1 Date March 2001

Conforms to ISO Recommendations
3rd Angle Projection
Not to Scale

Approval
Design

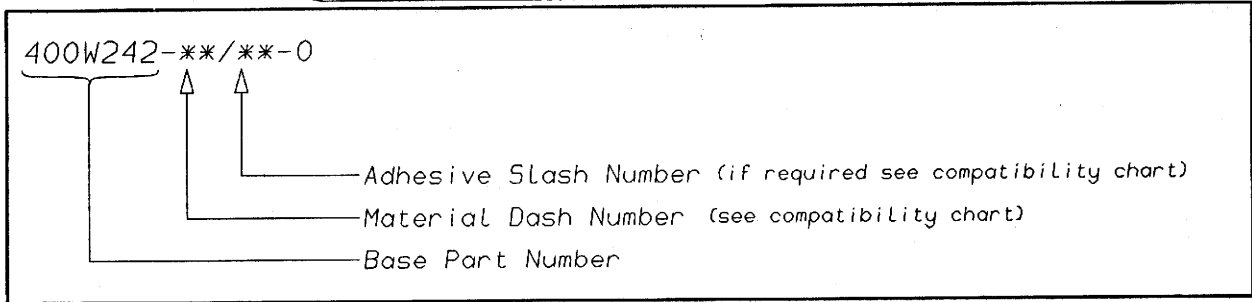
[Signature]

MKTG. *[Signature]* Q.A. *[Signature]*



Iss.	Date	E.C.R. No.	Details of Change

Ordering Information



COMPATIBILITY CHART

MATERIAL DASH NUMBER	MATERIAL DESCRIPTION	COATING SLASH NUMBER
-3	POLYOLEFIN, SEMI-RIGID	/42 ,/86
-4	POLYOLEFIN, FLEXIBLE	/42 ,/86
-25	ELASTOMER, FLUID RESISTANT	/86 ,/225
-100	ZERO HALOGEN	/86

AS SUPPLIED DIMENSIONS ARE FOR UNCOATED PARTS,
WHEN COATING IS ADDED, ENTRY DIAMETERS WILL REDUCE BY 1.5mm MAX.

Raychem Wire & Harness
 a Division of Tyco Electronics
 Faraday Road,
 Swindon, Wiltshire, England. SN3 5JA
 Telephone: (01793) 528171 Fax: 572516

Raychem Wire & Harness
 a Division of Tyco Electronics
 300, Constitution Drive, Menlo Park,
 California 94025-1164, USA
 Telephone (650) 361-3333 Fax: (650) 361-5579

单击下面可查看定价，库存，交付和生命周期等信息

[>>TE Connectivity\(泰科\)](#)