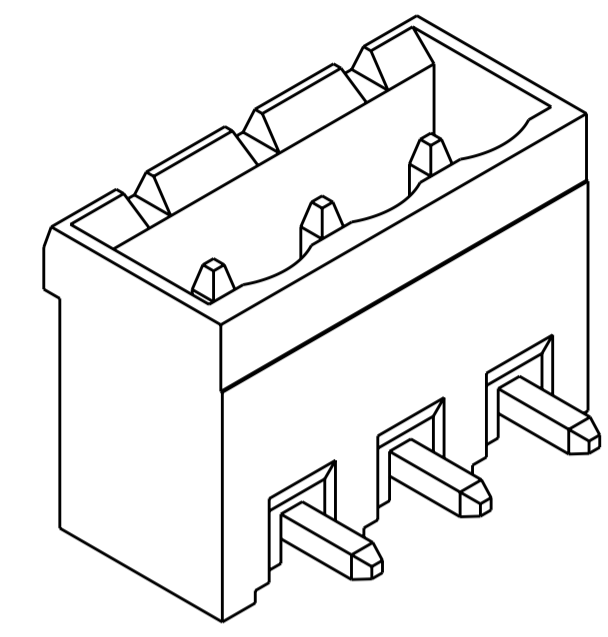
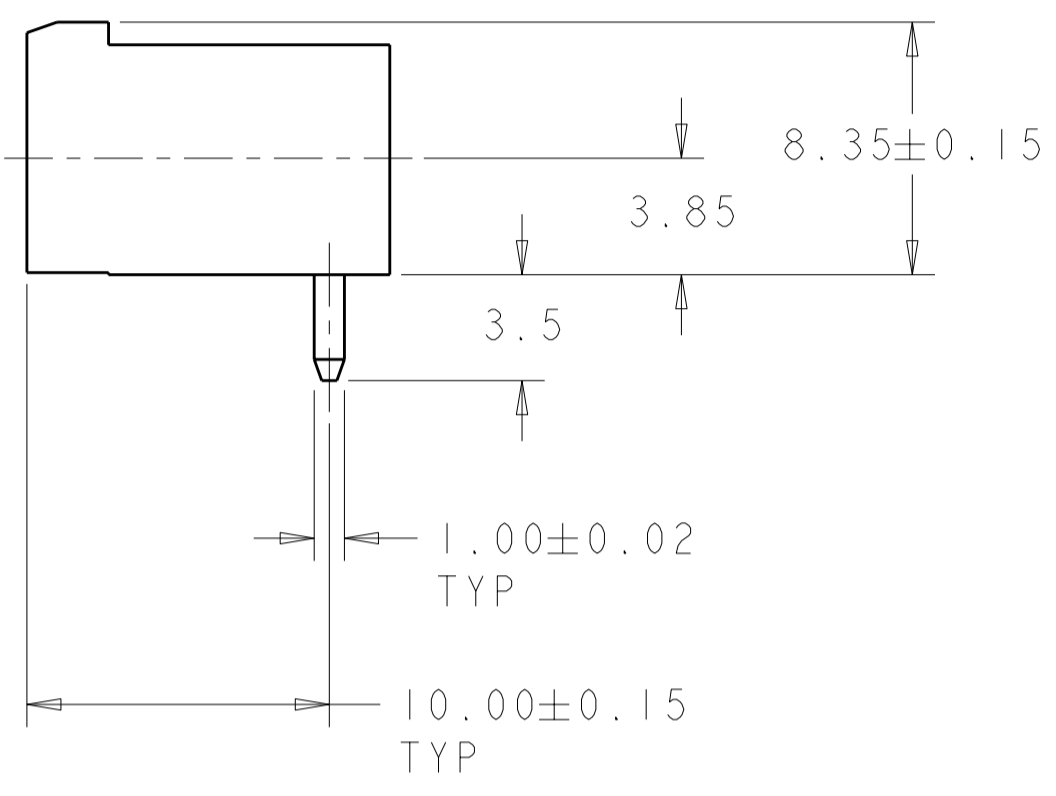
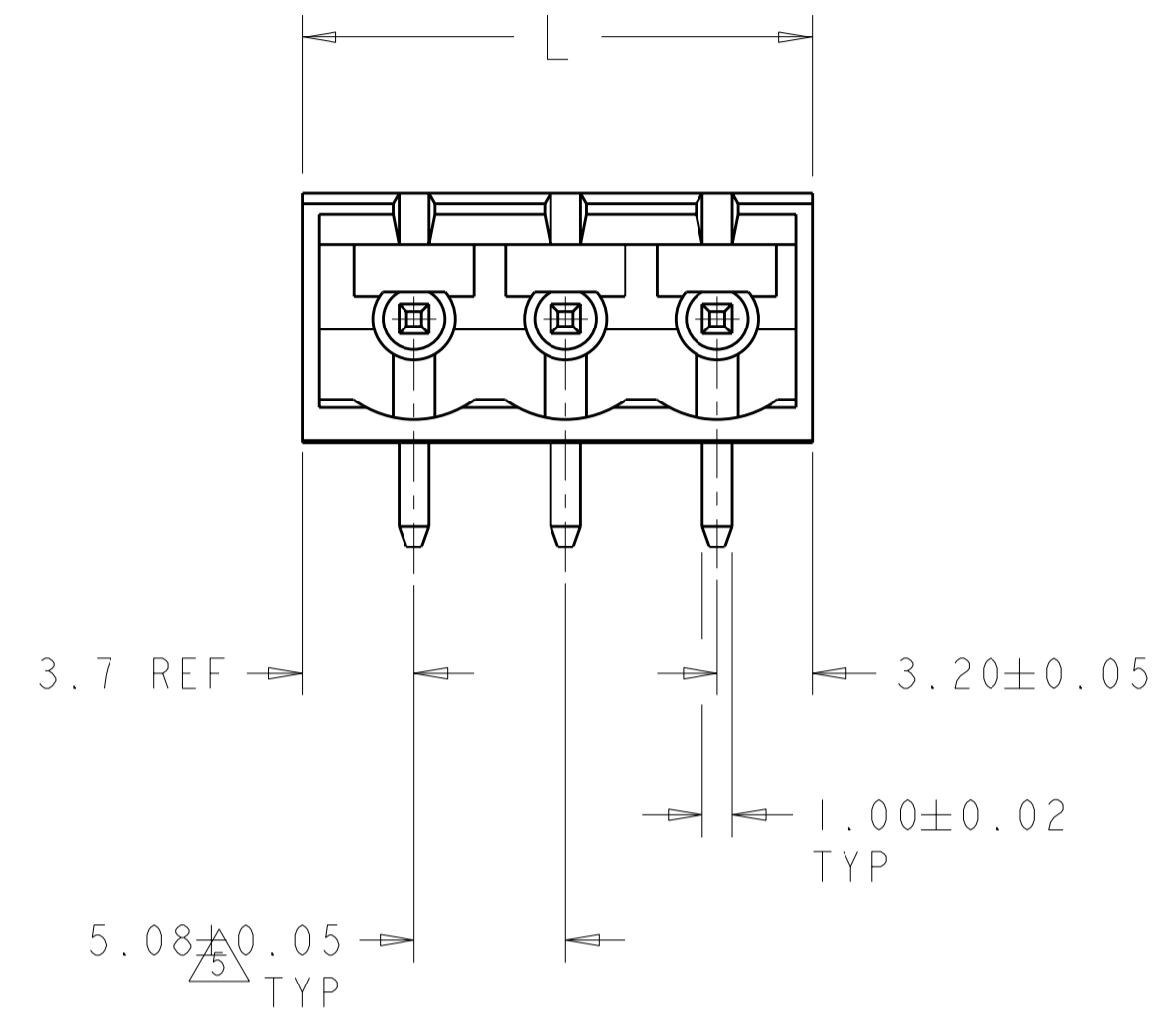


THIS DRAWING IS UNPUBLISHED. RELEASED FOR PUBLICATION 20
 © COPYRIGHT 20 BY - ALL RIGHTS RESERVED.

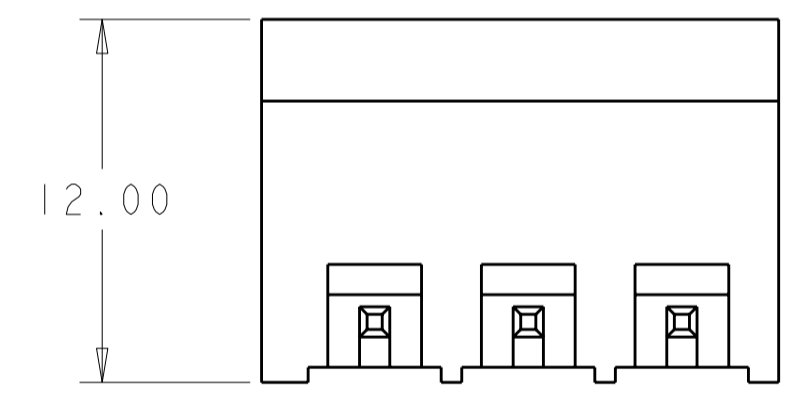
LOC		DIST		REVISIONS			
P	LTR	DESCRIPTION	DATE	DWN	APVD		
	BI	REVISED PER ECO-12-007964	28APR2012	KH	MS		



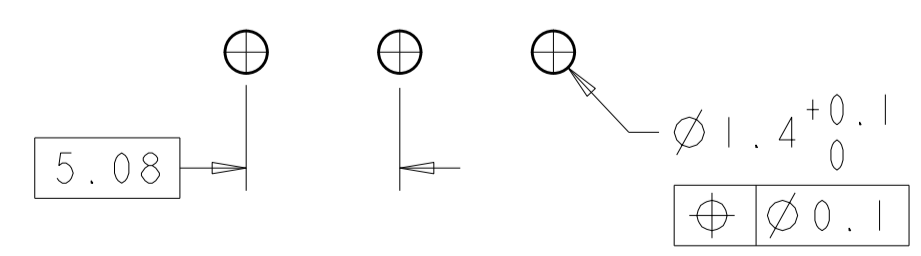
1546109-3 AS SHOWN

PRELIMINARY	.000030	GOLD	62.78	12	4-1546109-2
PRELIMINARY	.000030	GOLD	32.30	6	3-1546109-6
PRELIMINARY	.000030	GOLD	22.14	4	3-1546109-4
PRELIMINARY	.000030	GOLD	17.06	3	3-1546109-3
		TIN	128.82	25	2-1546109-5
		TIN	123.74	24	2-1546109-4
		TIN	118.66	23	2-1546109-3
		TIN	113.58	22	2-1546109-2
		TIN	108.50	21	2-1546109-1
		TIN	103.42	20	2-1546109-0
		TIN	98.34	19	1-1546109-9
		TIN	93.26	18	1-1546109-8
		TIN	88.18	17	1-1546109-7
		TIN	83.10	16	1-1546109-6
		TIN	78.02	15	1-1546109-5
		TIN	72.94	14	1-1546109-4
		TIN	67.86	13	1-1546109-3
		TIN	62.78	12	1-1546109-2
		TIN	57.70	11	1-1546109-1
		TIN	52.62	10	1-1546109-0
		TIN	47.54	9	1546109-9
		TIN	42.46	8	1546109-8
		TIN	37.38	7	1546109-7
		TIN	32.30	6	1546109-6
		TIN	27.22	5	1546109-5
		TIN	22.14	4	1546109-4
		TIN	17.06	3	1546109-3
		TIN	11.98	2	1546109-2

CONTACT FINISH	DIM L	NO OF POSN	PART NUMBER



- △ MATERIALS AND FINISH:
 HOUSING: PA 6-6, UL 94-V0, COLOR: GRAY.
 TERMINAL: COPPER ALLOY, FINISH: SEE TABLE.
- SUITABLE FOR 1,6-2, 4mm PC BOARD THICKNESS.
 - RECOGNIZED UNDER THE COMPONENT PROGRAM OF UNDERWRITERS LABORATORIES INC. FILE N° E60677.
 - IMQ CERTIFICATE WITH SURVEILLANCE IN CONFORMITY WITH IEC 998-1/998-2-1.)
- △ NOT CUMULATIVE TOLERANCE
- BUCHANAN LOGO TO APPEAR ON HOUSING, LOCATION OPTIONAL WHERE SPACE PERMITS.



RECOMMENDED PC BOARD LAYOUT

THIS DRAWING IS A CONTROLLED DOCUMENT.		DWN: S. WELDON 11SEP2002	TE Connectivity	
DIMENSIONS: mm		CHK: C. RICHARD 11SEP2002		
TOLERANCES UNLESS OTHERWISE SPECIFIED:		APVD: C. RICHARD 11SEP2002	NAME: TERMI-BLOK HEADER ASSEMBLY, 90 DEGREE, CLOSED ENDS, 5.08mm PITCH	
0 PLC ±-		PRODUCT SPEC	SIZE: A200779C-1546109	
1 PLC ±0.2		APPLICATION SPEC	CAGE CODE: 1546109	
2 PLC ±-		WEIGHT	DRAWING NO: 1546109	
3 PLC ±-		CUSTOMER DRAWING	RESTRICTED TO: -	
4 PLC ±-		SCALE: 4:1	SHEET 1 OF 1	
ANGLES ±-			REV: BI	
FINISH				

单击下面可查看定价，库存，交付和生命周期等信息

[>>TE Connectivity\(泰科\)](#)