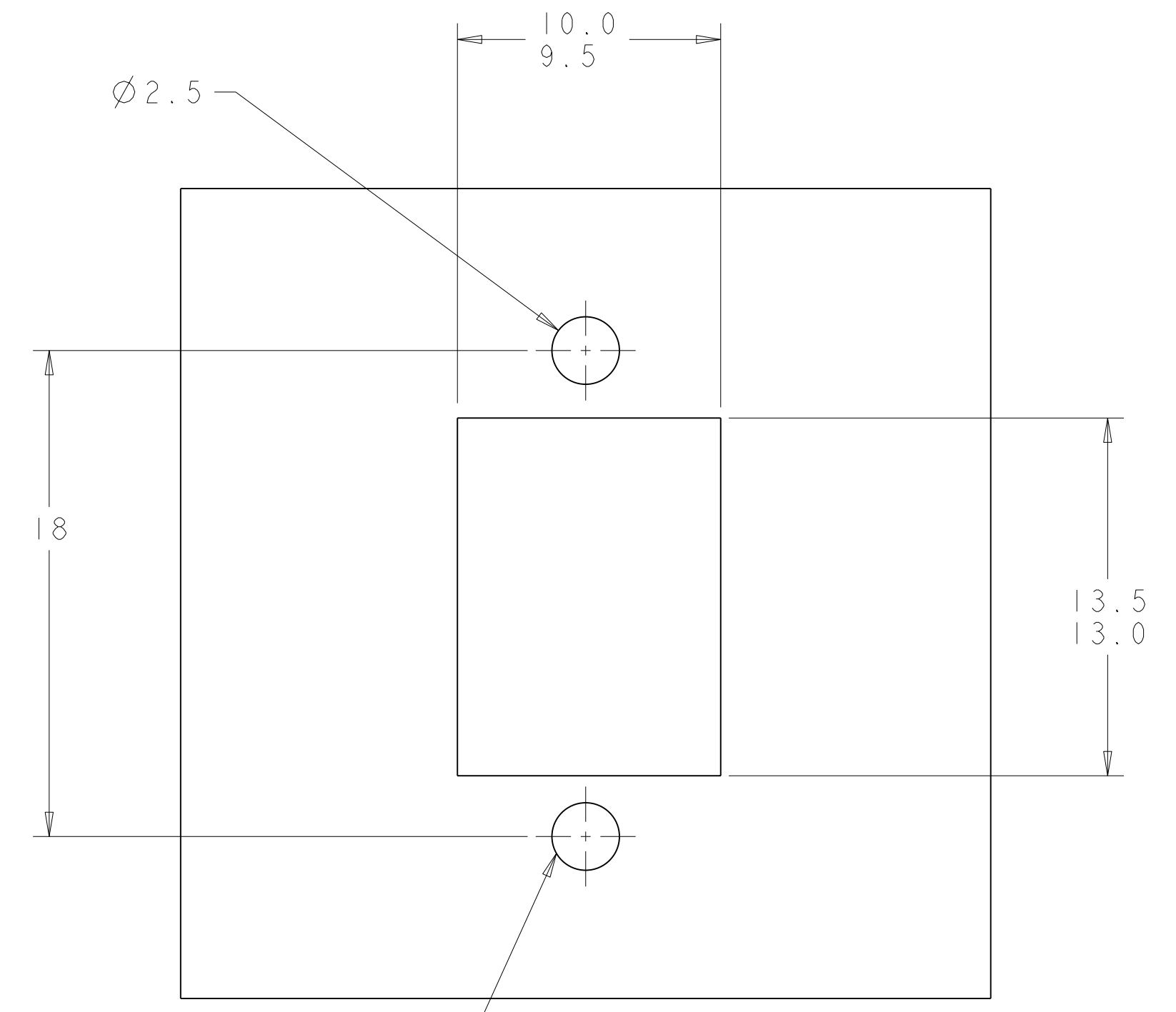
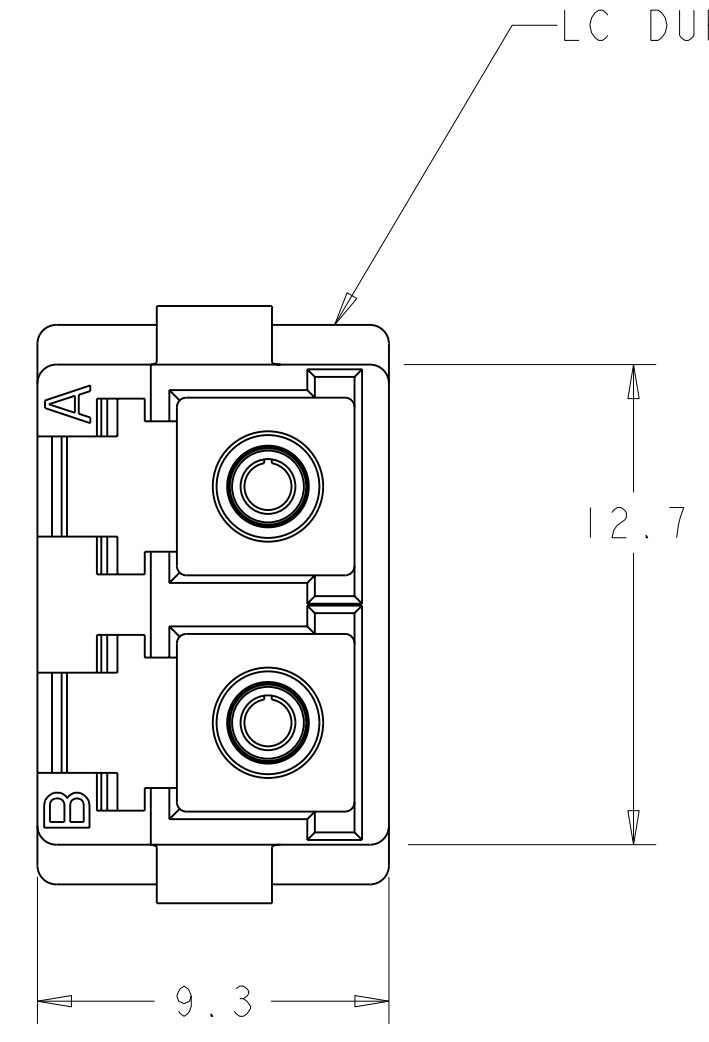
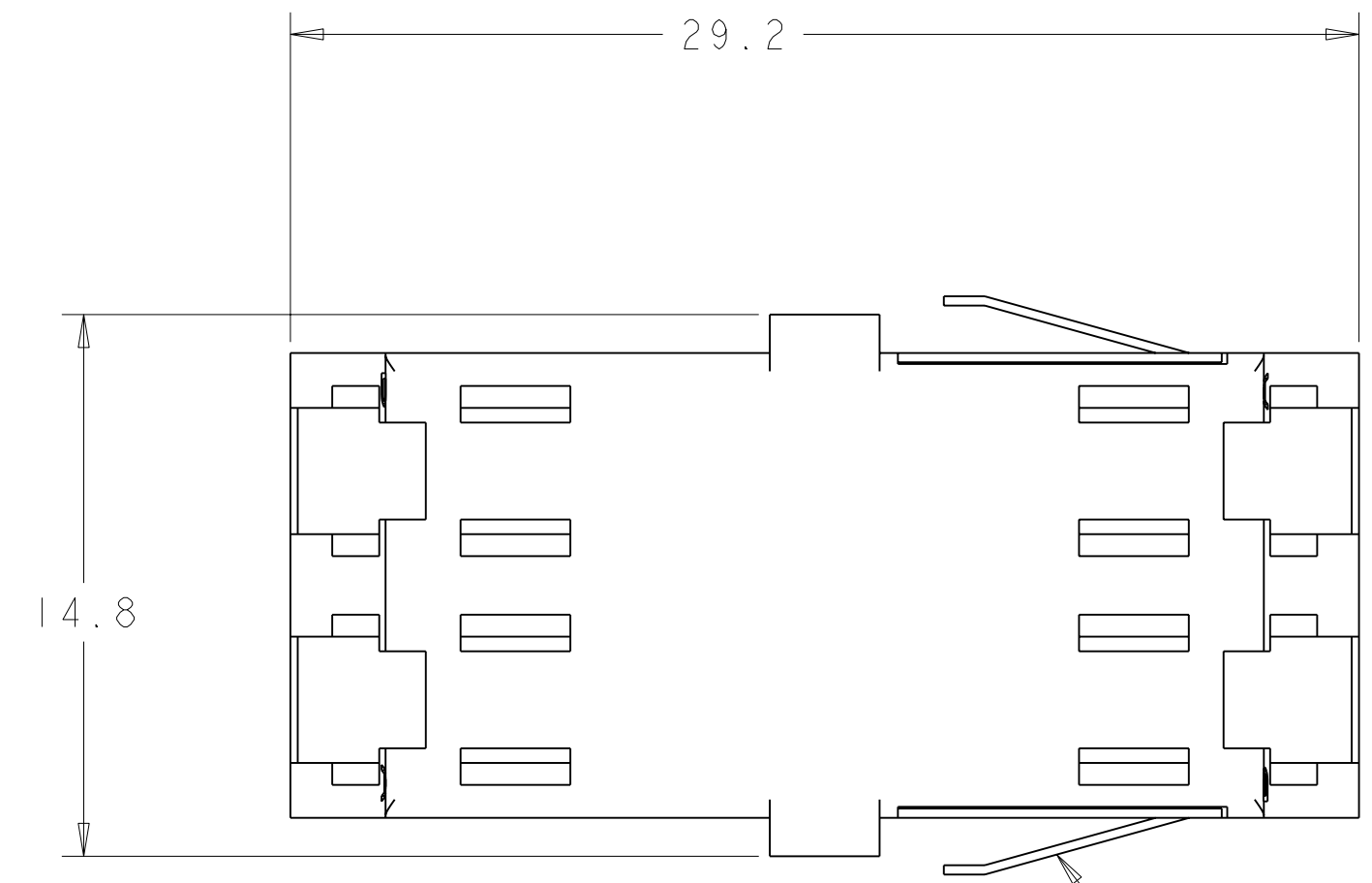


THIS DRAWING IS UNPUBLISHED. RELEASED FOR PUBLICATION 20
 © COPYRIGHT 20 BY TYCO ELECTRONICS CORPORATION. ALL RIGHTS RESERVED.

LOC	DIST	REVISIONS					
CE	00	P	LTR	DESCRIPTION	DATE	DWN	APVD
		A		REL PER ECO-06-002305	20FEB2006	DHR	DHR

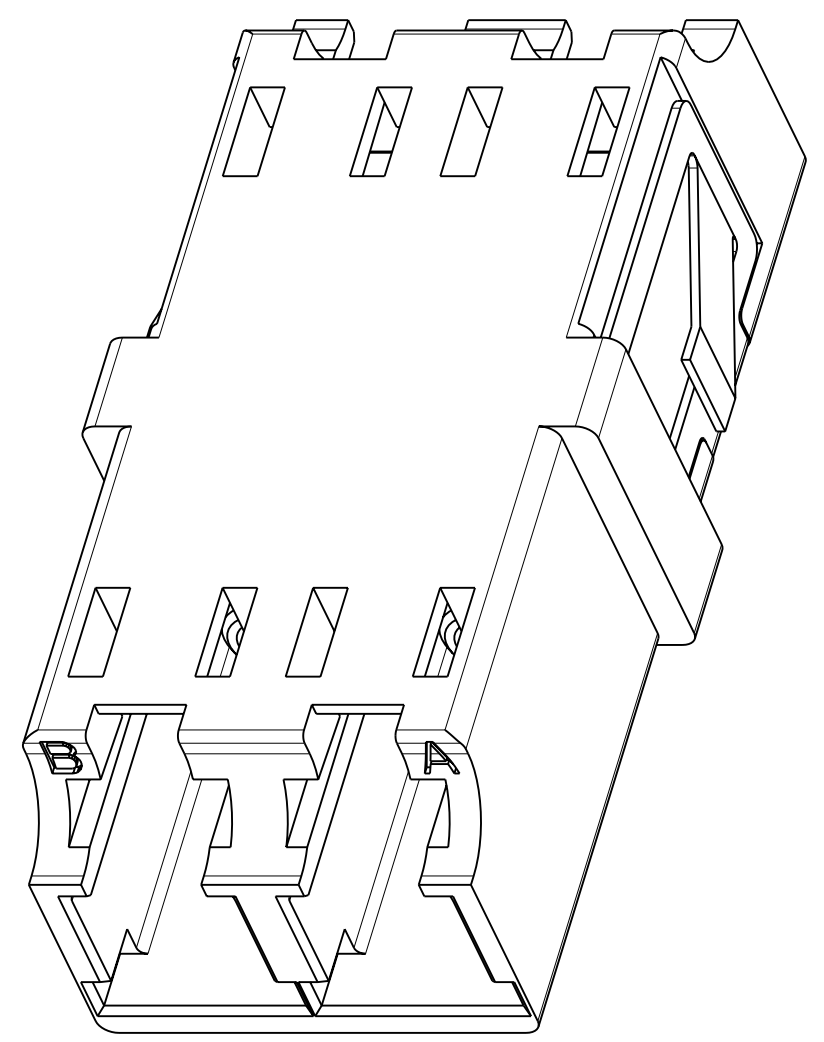


M2-0.4 OR #2-56UNC WHEN REQUIRED

RECOMMENDED PANEL CUTOUT
 PANEL THICKNESS 1.2-1.7
 SCALE 5:1

RETENTION CLIP

LC DUPLEX RECEPTACLE HOUSING



1 MATERIAL:
 HOUSING: ZINC DIE CAST
 PROTECTIVE CAPS: THERMOPLASTIC ELASTOMER
 ALIGNMENT SLEEVE: CERAMIC
 RETENTION CLIP: STAINLESS STEEL

2 FINISH:
 HOUSING: ELECTROLESS NICKEL OVER COPPER

3. PROTECTIVE CAPS (DUPLEX) ARE SUPPLIED, BUT NOT SHOWN.

1754682-1
 PART NUMBER

<small>THIS DRAWING IS A CONTROLLED DOCUMENT FOR TYCO ELECTRONICS CORPORATION IT IS SUBJECT TO CHANGE AND THE CONTROLLING ENGINEERING ORGANIZATION SHOULD BE CONTACTED FOR THE LATEST REVISION.</small>		DWN B. BRIGGS 17JUN2004 CHK D. ROHDE 17JUN2004 APVD B. EDWARDS 17JUN2004	tyco Electronics Tyco Electronics Harrisburg, PA 17105-3608
DIMENSIONS: mm 	TOLERANCES UNLESS OTHERWISE SPECIFIED: 0 PLC ±0.1 1 PLC ±0.1 2 PLC ± 3 PLC ± 4 PLC ± ANGLES ± FINISH	NAME ASSEMBLY, DUPLEX LC RECEPTACLE, SR-SR FLANGELESS PRODUCT SPEC APPLICATION SPEC WEIGHT	SIZE A2 CAGE CODE 00779 DRAWING NO C=1754682 RESTRICTED TO SCALE 5:1 SHEET 1 OF 1 REV A
MATERIAL 1	FINISH 2	CUSTOMER DRAWING	

单击下面可查看定价，库存，交付和生命周期等信息

[>>TE Connectivity\(泰科\)](#)