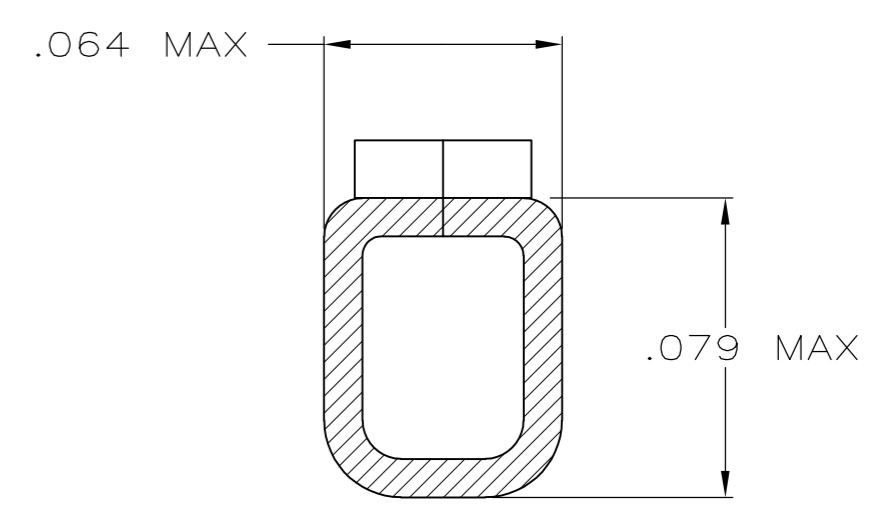
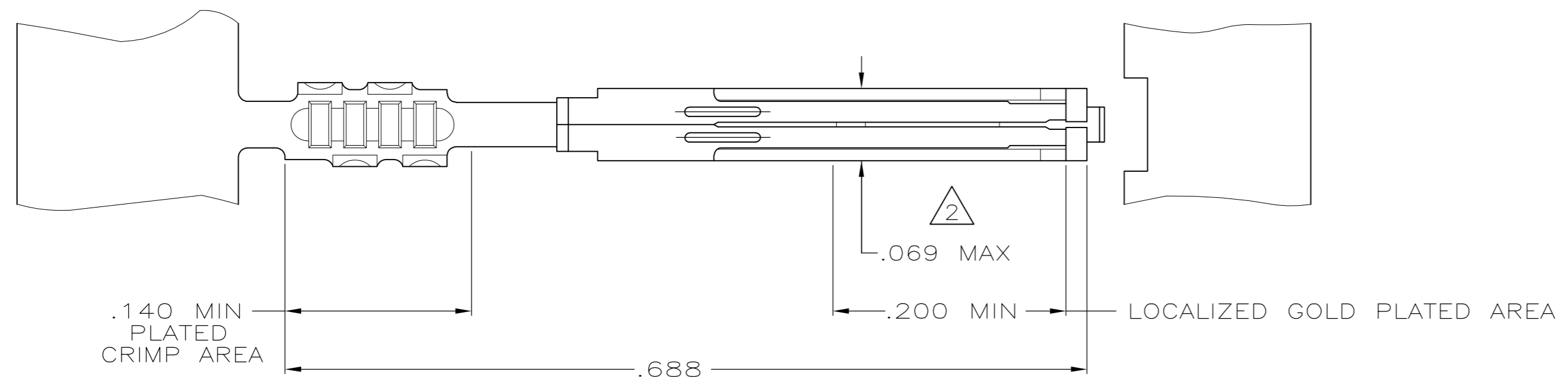
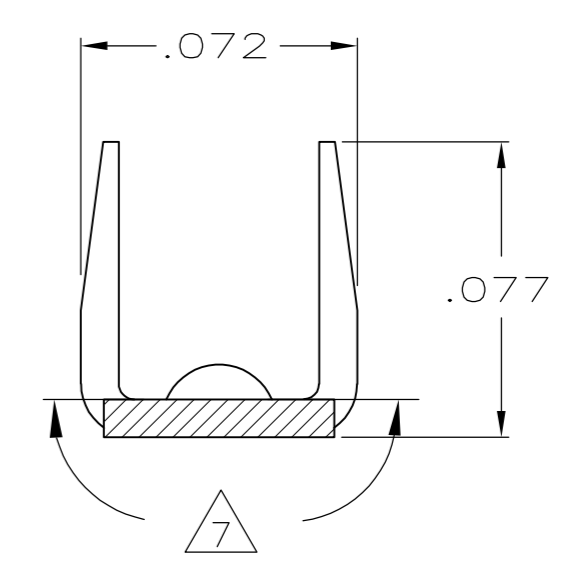
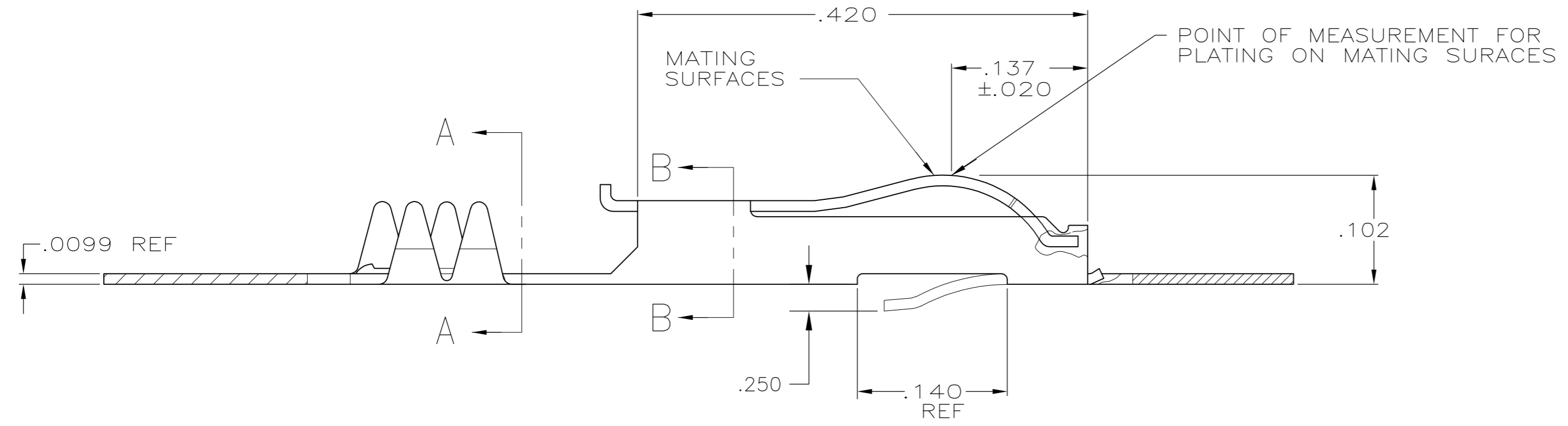


THIS DRAWING IS UNPUBLISHED. RELEASED FOR PUBLICATION  
 © COPYRIGHT BY TYCO ELECTRONICS CORPORATION. ALL RIGHTS RESERVED.

LOC	DIST	REVISIONS			
P	LTR	DESCRIPTION	DATE	DWN	APVD
GP	00				
	AJ	REVISED PER ECO-12-011709	26JUN2012	RW	SY



SECTION B-B



SECTION A-A

- 1 PREPLATED WITH NICKEL UNDERPLATE .000050 MIN THK ON ENTIRE CONTACT WITH GOLD .000015 MIN THK ON MATING SURFACES IN LOCALIZED AREA AND PLATED WITH BRIGHT TIN-LEAD .000100 MIN THK IN CRIMP AREA.
- 2 .069 MAX ALLOWED IN LOCKING LATCH AREA FOR .140 REF LENGTH.
- 3 PREPLATED WITH NICKEL UNDERPLATE .000050 MIN THK ON ENTIRE CONTACT WITH GOLD .000030 MIN THK ON MATING SURFACES IN LOCALIZED AREA AND PLATED WITH BRIGHT TIN-LEAD .000100 MIN THK IN CRIMP AREA.
- 4 PLATED WITH NICKEL UNDERPLATE .000050 MIN THK ON ENTIRE CONTACT WITH GOLD .000015 MIN THK ON MATING SURFACES IN LOCALIZED AREA AND PLATED WITH GOLD FLASH IN CRIMP AREA, -OR- PLATED WITH NICKEL UNDERPLATE .000050 MIN THK ON ENTIRE CONTACT WITH GOLD FLASH OVER PALLADIUM-NICKEL .000015 MIN TOTAL THK ON MATING SURFACES IN LOCALIZED AREA AND PLATED WITH GOLD FLASH IN CRIMP AREA.
- 5 PREPLATED WITH NICKEL UNDERPLATE .000050 MIN THK ON ENTIRE CONTACT WITH GOLD .000030 MIN THK ON MATING SURFACES IN LOCALIZED AREA AND PLATED WITH GOLD FLASH IN CRIMP AREA.
- 6 OBSOLETE PARTS: OBSOLETE CIS STREAMLINING PER D.RENAUD/D.SINISI.
- 7 GOLD COVERAGE MAY OR MAY NOT BE PRESENT ON BOTTOM OF CRIMP BARREL IN THIS AREA.

6	OBSOLETE	5	485800-6
		4	485800-5
6	OBSOLETE	3	485800-3
	OBSOLETE	1	485800-2
		FNSH	PART NO

THIS DRAWING IS A CONTROLLED DOCUMENT.		DWN P.BERRY 3-21-86	Tyco Electronics Corporation Harrisburg, PA 17105-3608	
DIMENSIONS: INCHES		CHK D.WORTHINGTON 3-24-86	NAME CONTACT, CARD EDGE	
TOLERANCES UNLESS OTHERWISE SPECIFIED:		APVD -	PRODUCT SPEC 108-9024	
0 PLC ± -		APPLICATION SPEC 114-16015		
1 PLC ± -		SIZE A2 CAGE CODE 00779 C=485800		
2 PLC ± -		WEIGHT -		
3 PLC ± .005		CUSTOMER DRAWING		
4 PLC ± -		SCALE NTS SHEET 1 OF 1 REV AJ		
4 ANGLES ± -				
FINISH SEE TABLE				
MATERIAL PHOS BRONZE				

485800

A

单击下面可查看定价，库存，交付和生命周期等信息

[>>TE Connectivity\(泰科\)](#)