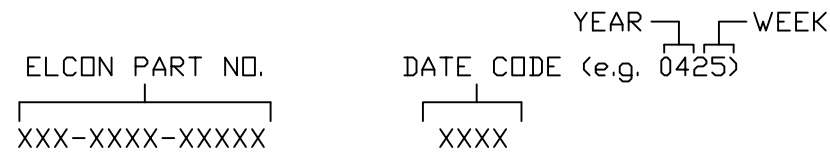


This drawing involves proprietary design rights of Tyco Electronics Corporation, and all design, manufacture, reproduction, use and sale rights regarding the same are expressly reserved. It is submitted for a specific purpose and the recipient by accepting this drawing, assumes custody and control and agrees to take reasonable precautions; (a) that this drawing will not be copied and reproduced, in whole or in part, or its contents revealed in any manner, or to any person except to meet the purpose for which it was delivered and (b) that any special features peculiar to this design will not be incorporated in other projects without the expressed written permission of Tyco Electronics Corporation.

REVISIONS			
EC	REV	DESCRIPTION	DATE
DS1Q-0029-05	A	NEW RELEASE	01/19/05

8. ITEMS PROVIDED TO THIS SPECIFICATION TO BE PERMANENTLY IDENTIFIED PER THE FOLLOWING IDENTIFIER:



7. RECOMMENDED PRESSING FIXTURE: FIX00001 FOR COMPLIANT APPLICATION IS AVAILABLE. PLEASE CONSULT FACTORY.

6. EXAMPLE PCB CONFIGURATION.

5. THIS CONFIGURATION WITH 3 SEGMENT POWER CONNECTOR IS SHOWN FOR REFERENCE ONLY. COMBINATION OF MULTIPLE NUMBERS OF 2 AND 3 SEGMENT MODULES COULD BE USED PER USER PREFERENCE. OVERALL COMBINATION SHOULD NOT EXCEED 8.0" IN LENGTH.

4. SOCKETS ACCEPT 1.6 [.062] ±10% THICK PC BOARD.

3. FINISHES:

CONTACTS: SELECTIVE GOLD PER MIL-G-45204, TYPE II, CLASS 0, .000030" MIN. THK, OVER NICKEL PER QQ-N-290, CLASS 2, .000040" MIN. THICK.

TERMINALS: TIN PLATE, MATTE FINISH, .000100" MINIMUM THICKNESS

2. MATERIALS:

INSULATORS: THERMOPLASTIC, GLASS REINFORCED, COLOR-BLACK, UL94V-0 FLAMMABILITY RATED.

CONTACTS: PHOSPHOR BRONZE ALLOY

1. PART NUMBER CHANGES AND OR DESIGN CHANGES AFFECTING ITEM INTERCHANGEABILITY REQUIRE PRIOR ELCON APPROVAL AND AUTHORIZATION BY REVISION TO THIS DRAWING.

NOTES: UNLESS OTHERWISE SPECIFIED;

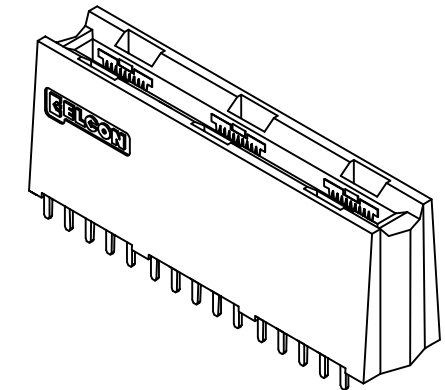
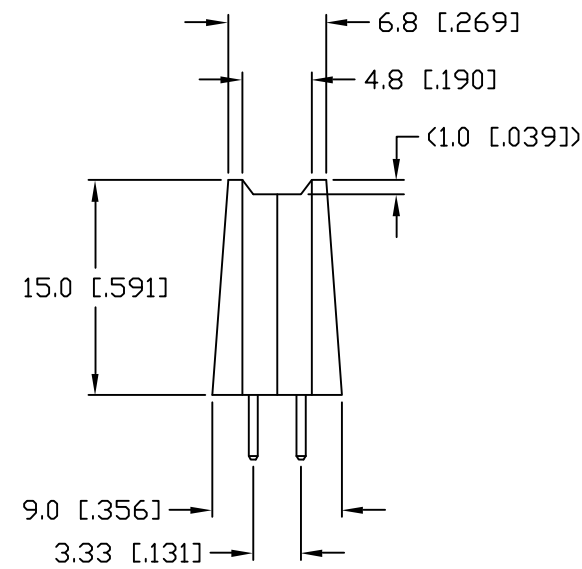
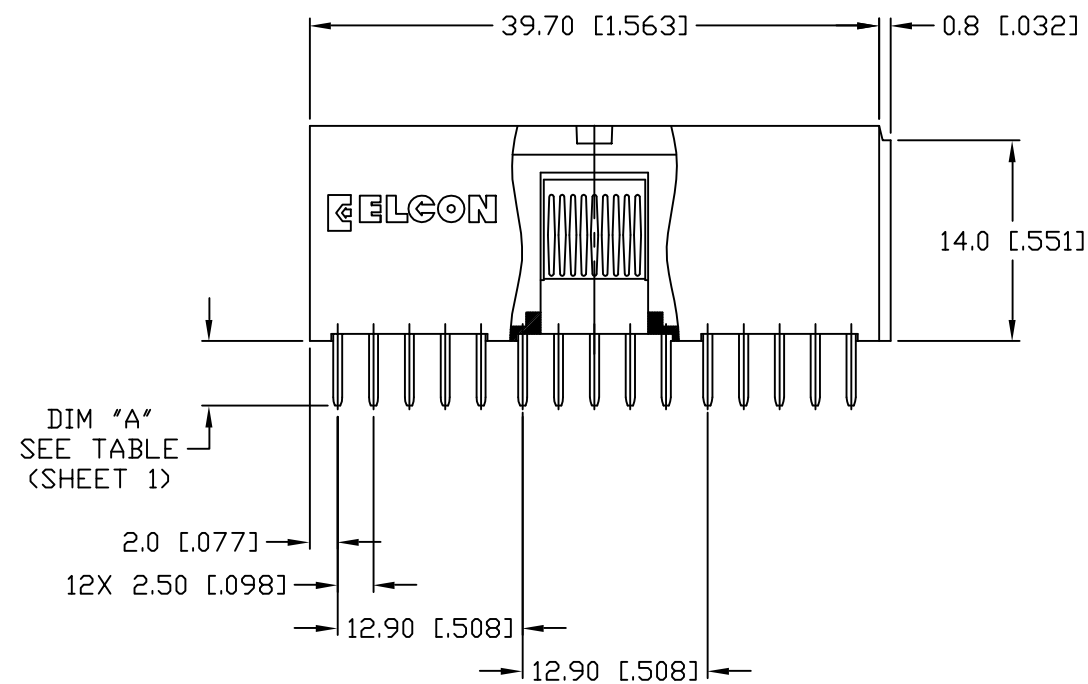
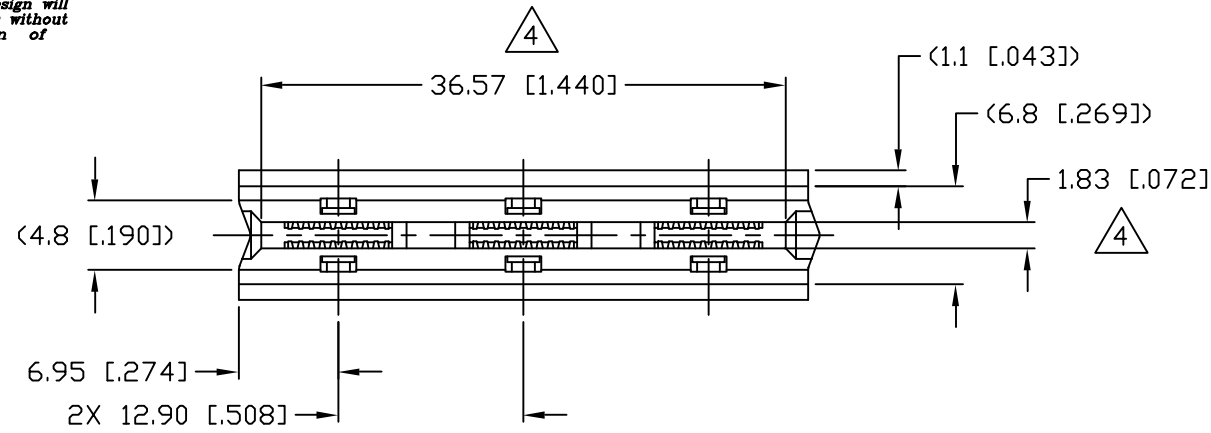
9. PART NUMBER INFORMATION

CONNECTOR	REFERENCE TYCO PN	ELCON PART NUMBER	TERMINATION TYPE	PC TAIL LENGTH DIM "A"	RECOMMENDED MOUNTING BOARD	MATING BOARD
SOCKET	6650383-3	284-0102-12100	SOLDER TAIL (SHORT)	3.56 [.140] 2.54 [.100]	1.6 [.062] THICK	1.6 [.062] THICK
SOCKET	6650383-2	284-0102-12300	SOLDER TAIL (STANDARD)	5.08 [.200] 4.06 [.160]	3.2 [.125] OR THINNER	1.6 [.062] THICK
SOCKET	6650383-1	284-0102-11300	COMPLIANT TAIL	5.08 [.200] 4.06 [.160]	2.3 [.093] OR THICKER	1.6 [.062] THICK

<p>THIRD ANGLE PROJECTION</p> <p>UNLESS OTHERWISE SPECIFIED DIMENSIONS ARE IN METRIC [INCHES]</p> <p>TOLERANCES</p> <p>ANGLES ± .5°</p> <p>DECIMALS</p> <p>.XX ± .25 [.010]</p> <p>.X ± .5 [.020]</p>	DRAWN	DATE	Tyco Electronics Corporation Menlo Park, Ca 94025	
	M.C. CANT	01/19/05		
	CHECKED		TITLE	
	APPROVED		SOCKET CONNECTOR, CROWN EDGE PN: 284-0102-12100/284-0102-12300 PN: 284-0102-11300	
APPROVED		SIZE	DWG NUMBER	REV.
D. CHAU	02/11/05	B	C = 6650383	A
M. ALIM	03/02/05	ACAD FILE NUMBER C6650383A.DWG		DWG SCALE 2=1 SH 1 OF 5

This drawing involves proprietary design rights of Tyco Electronics Corporation, and all design, manufacture, reproduction, use and sale rights regarding the same are expressly reserved. It is submitted for a specific purpose and the recipient by accepting this drawing, assumes custody and control and agrees to take reasonable precautions; (a) that this drawing will not be copied and reproduced, in whole or in part, or its contents revealed in any manner, or to any person except to meet the purpose for which it was delivered and (b) that any special features peculiar to this design will not be incorporated in other projects without the expressed written permission of Tyco Electronics Corporation.

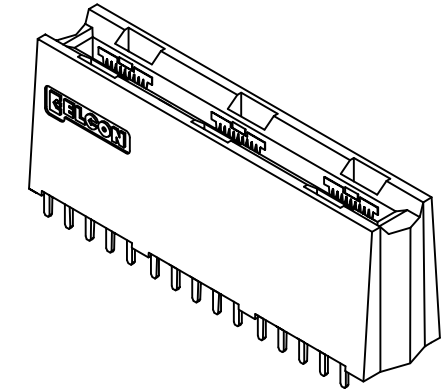
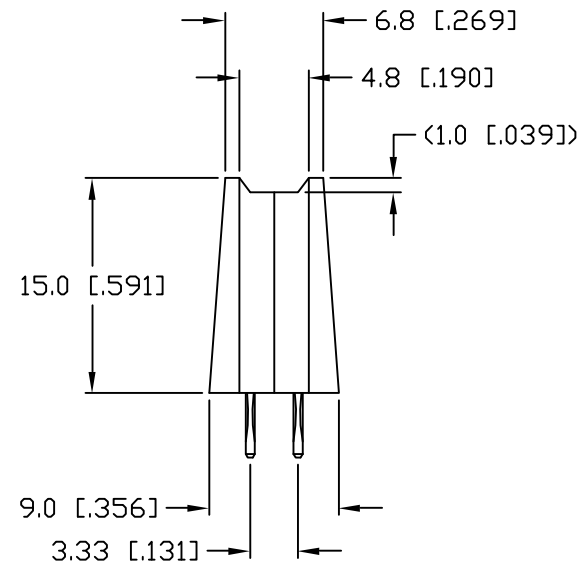
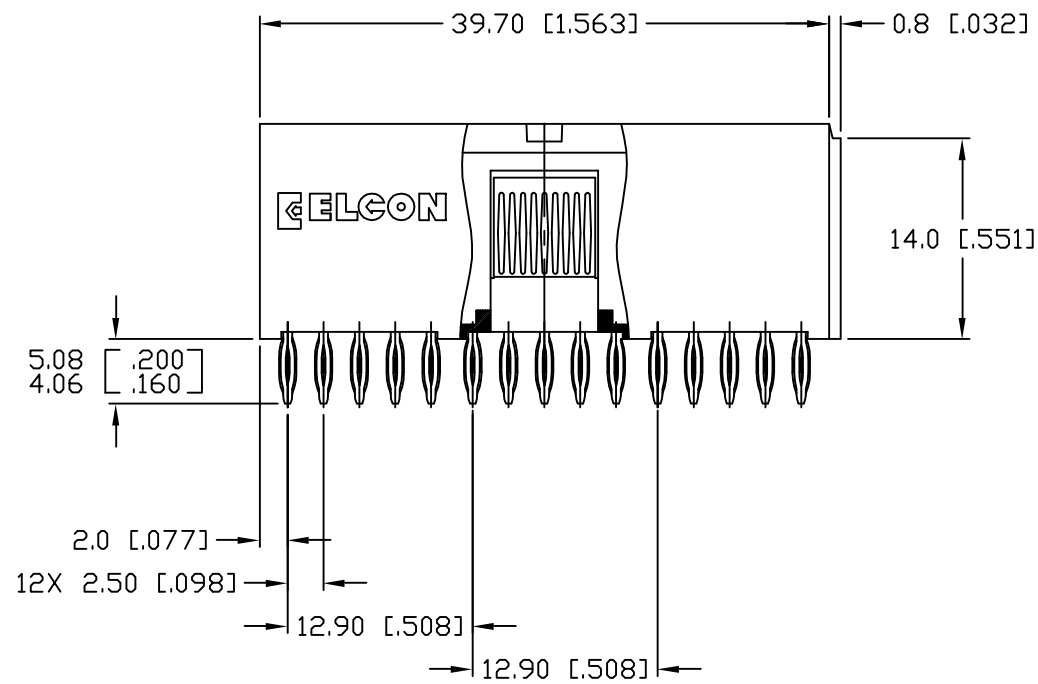
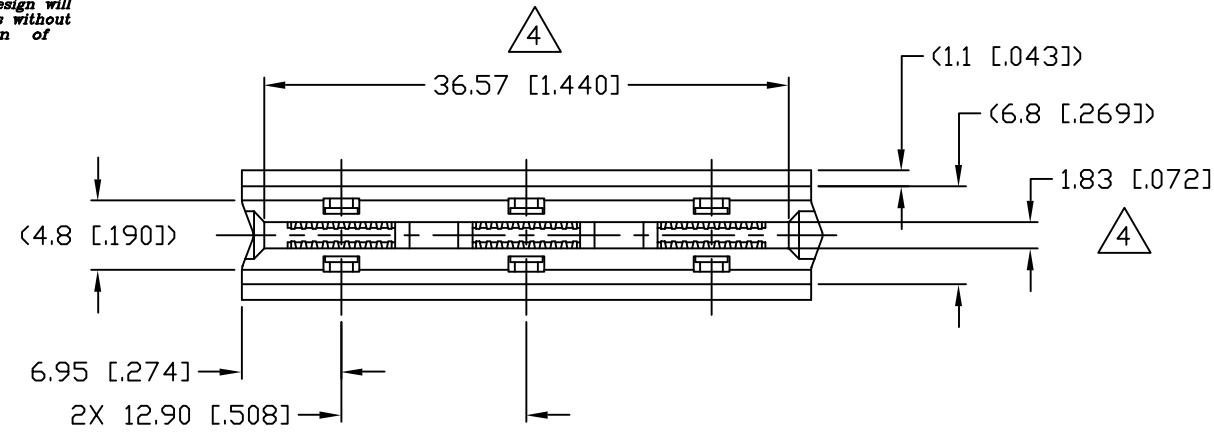
REVISIONS			
EC	REV	DESCRIPTION	DATE
		SEE SHEET 1	



← MM OR MM [INCH] THIRD ANGLE PROJECTION UNLESS OTHERWISE SPECIFIED DIMENSIONS ARE IN METRIC [INCHES] TOLERANCES ANGLES ± .5° DECIMALS .XX ± .25 [.010] .X ± .5 [.020]	DRAWN M.C. CANT	DATE 01/19/05	tyco Tyco Electronics Corporation Electronics Menlo Park, Ca 94025 ELCON	
	CHECKED			TITLE SOCKET CONNECTOR, CROWN EDGE STRAIGHT, 3 SEG, 6 PWR, SOLDER, NHP PN: 284-0102-12100/284-0102-12300
	APPROVED		SIZE B	DWG NUMBER C = 6650383
	APPROVED D. CHAU DCA APPROVED M. ALIM	02/11/05 03/02/05	REV. A	
ACAD FILE NUMBER C6650383A.DWG		DWG SCALE 2=1 SH 2 OF 5		

This drawing involves proprietary design rights of Tyco Electronics Corporation, and all design, manufacture, reproduction, use and sale rights regarding the same are expressly reserved. It is submitted for a specific purpose and the recipient by accepting this drawing, assumes custody and control and agrees to take reasonable precautions; (a) that this drawing will not be copied and reproduced, in whole or in part, or its contents revealed in any manner, or to any person except to meet the purpose for which it was delivered and (b) that any special features peculiar to this design will not be incorporated in other projects without the expressed written permission of Tyco Electronics Corporation.

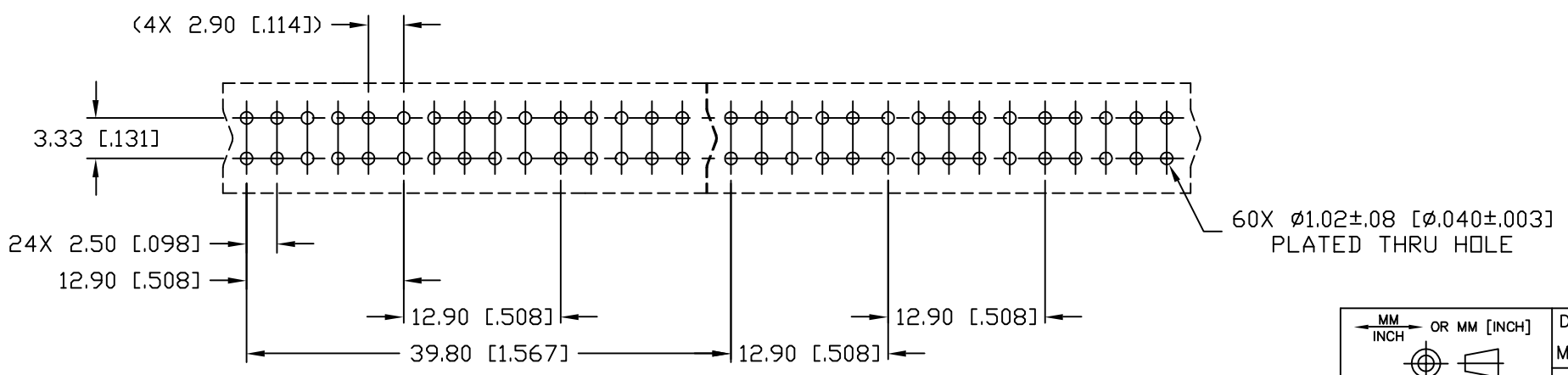
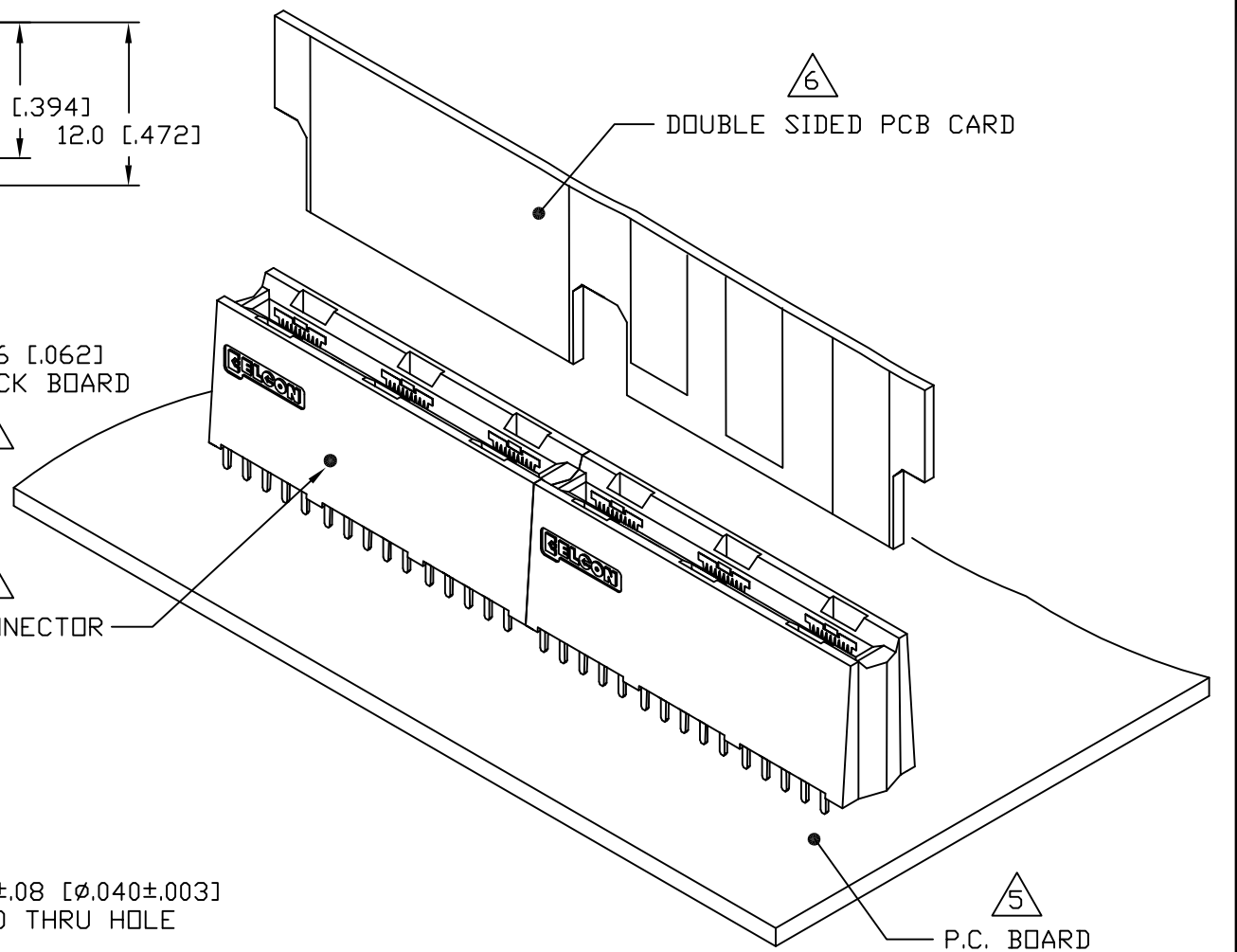
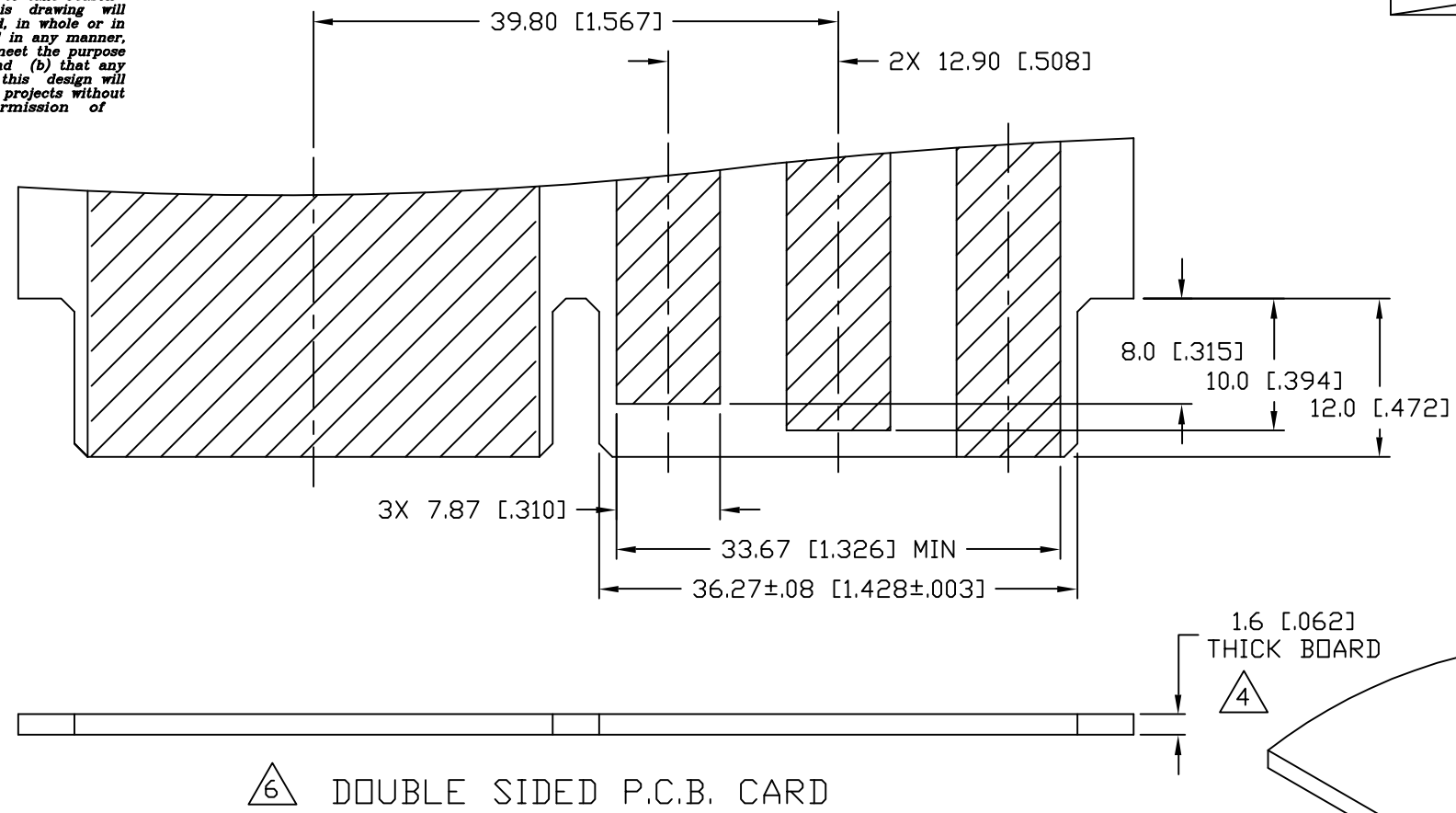
REVISIONS			
EC	REV	DESCRIPTION	DATE
		SEE SHEET 1	



← MM OR MM [INCH] INCH THIRD ANGLE PROJECTION UNLESS OTHERWISE SPECIFIED DIMENSIONS ARE IN METRIC [INCHES] TOLERANCES ANGLES ± .5° DECIMALS .XX ± .25 [.010] .X ± .5 [.020]	DRAWN M.C. CANT	DATE 01/19/05	 Tyco Electronics Corporation Menlo Park, Ca 94025 	
	CHECKED			TITLE SOCKET CONNECTOR, CROWN EDGE STRAIGHT, 3 SEG, 6 PWR, COMPLIANT PN: 284-0102-11300
	APPROVED		APPROVED	DATE 02/11/05
	D. CHAU	03/02/05	M. ALIM	DATE 03/02/05
ACAD FILE NUMBER C6650383A.DWG	DWG NUMBER B C = 6650383		REV. A	
DWG SCALE 2=1			SH 3 OF 5	

This drawing involves proprietary design rights of Tyco Electronics Corporation, and all design, manufacture, reproduction, use and sale rights regarding the same are expressly reserved. It is submitted for a specific purpose and the recipient by accepting this drawing, assumes custody and control and agrees to take reasonable precautions; (a) that this drawing will not be copied and reproduced, in whole or in part, or its contents revealed in any manner, or to any person except to meet the purpose for which it was delivered and (b) that any special features peculiar to this design will not be incorporated in other projects without the expressed written permission of Tyco Electronics Corporation.

REVISIONS			
EC	REV	DESCRIPTION	DATE
		SEE SHEET 1	

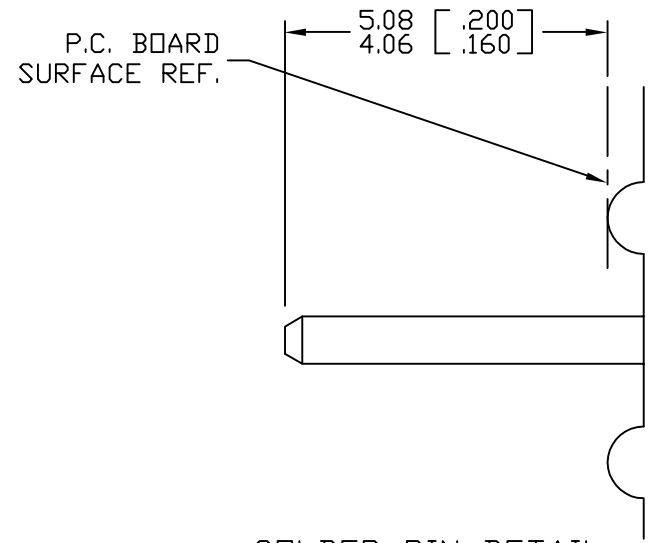


5 RECOMMENDED P.C. BOARD LAYOUT

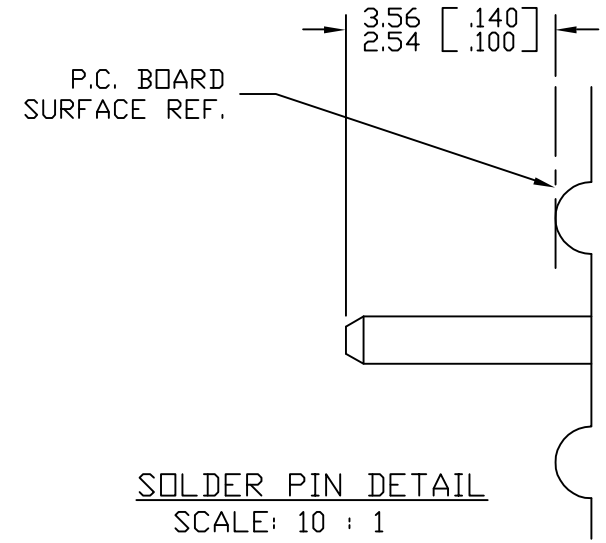
MM INCH THIRD ANGLE PROJECTION UNLESS OTHERWISE SPECIFIED DIMENSIONS ARE IN METRIC [INCHES] TOLERANCES ANGLES ± .5° DECIMALS .XX ± .25 [.010] .X ± .5 [.020]	DRAWN M.C. CANT CHECKED	DATE 01/19/05	 Tyco Electronics Corporation Menlo Park, Ca 94025
	APPROVED D. CHAU APPROVED M. ALIM ACAD FILE NUMBER C6650383A.DWG	DATE 02/11/05 03/02/05	
			DWG SCALE 2=1 SH 4 OF 5

This drawing involves proprietary design rights of Tyco Electronics Corporation, and all design, manufacture, reproduction, use and sale rights regarding the same are expressly reserved. It is submitted for a specific purpose and the recipient by accepting this drawing, assumes custody and control and agrees to take reasonable precautions; (a) that this drawing will not be copied and reproduced, in whole or in part, or its contents revealed in any manner, or to any person except to meet the purpose for which it was delivered and (b) that any special features peculiar to this design will not be incorporated in other projects without the expressed written permission of Tyco Electronics Corporation.

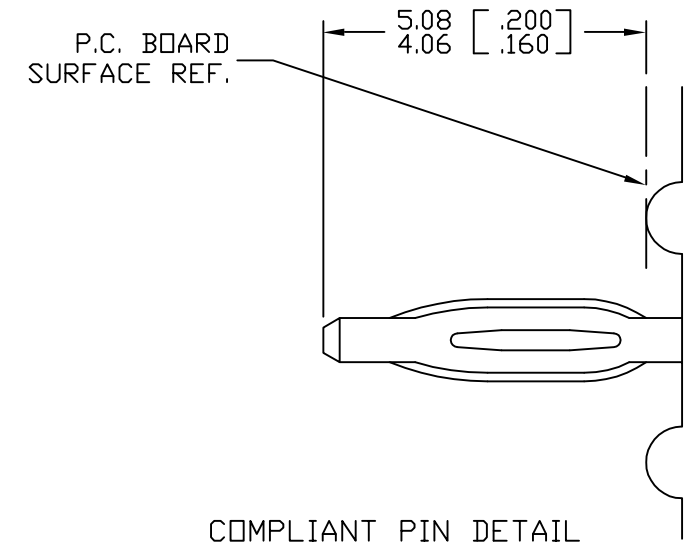
REVISIONS			
EC	REV	DESCRIPTION	DATE
		SEE SHEET 1	



SOLDER PIN DETAIL
SCALE: 10 : 1



SOLDER PIN DETAIL
SCALE: 10 : 1



COMPLIANT PIN DETAIL
SCALE: 10 : 1

INSERTION/EXTRACTION FORCES
 MAXIMUM PUSH IN: 133.3N PER PIN [30 LBS]
 MINIMUM PUSH OUT: 44.4N PER PIN [10 LBS]

RECOMMENDED PRINTED CIRCUIT HOLE
 SOLDER OR COMPLIANT PRESS FIT
 FINISHED HOLE: $\phi 1.02$ [.040] $\pm .08$ [.003]
 DRILLED HOLE: $\phi 1.15$ [.0453] $\pm .013$ [.0005]
 COPPER PLATE: .025 [.0010] MINIMUM (PER SURFACE)
 TIN PLATE: .008 [.0003] MINIMUM (PER SURFACE)

<p>THIRD ANGLE PROJECTION</p> <p>UNLESS OTHERWISE SPECIFIED DIMENSIONS ARE IN METRIC [INCHES]</p> <p>TOLERANCES</p> <p>ANGLES $\pm .5^\circ$</p> <p>DECIMALS</p> <p>.XX $\pm .25$ [.010] .X $\pm .5$ [.020]</p>	DRAWN M.C. CANT	DATE 01/19/05	Tyco Electronics Corporation Menlo Park, Ca 94025 	
	CHECKED			TITLE
	APPROVED			USER INFORMATION SOLDER & COMPLIANT TERMINATION CROWN EDGE
	APPROVED D. CHAU	02/11/05	SIZE B	
DCA APPROVED M. ALIM	03/02/05	DWG NUMBER C = 6650383	REV. A	
ACAD FILE NUMBER C6650383A.DWG			DWG SCALE 2=1 SH 5 OF 5	

单击下面可查看定价，库存，交付和生命周期等信息

[>>TE Connectivity\(泰科\)](#)