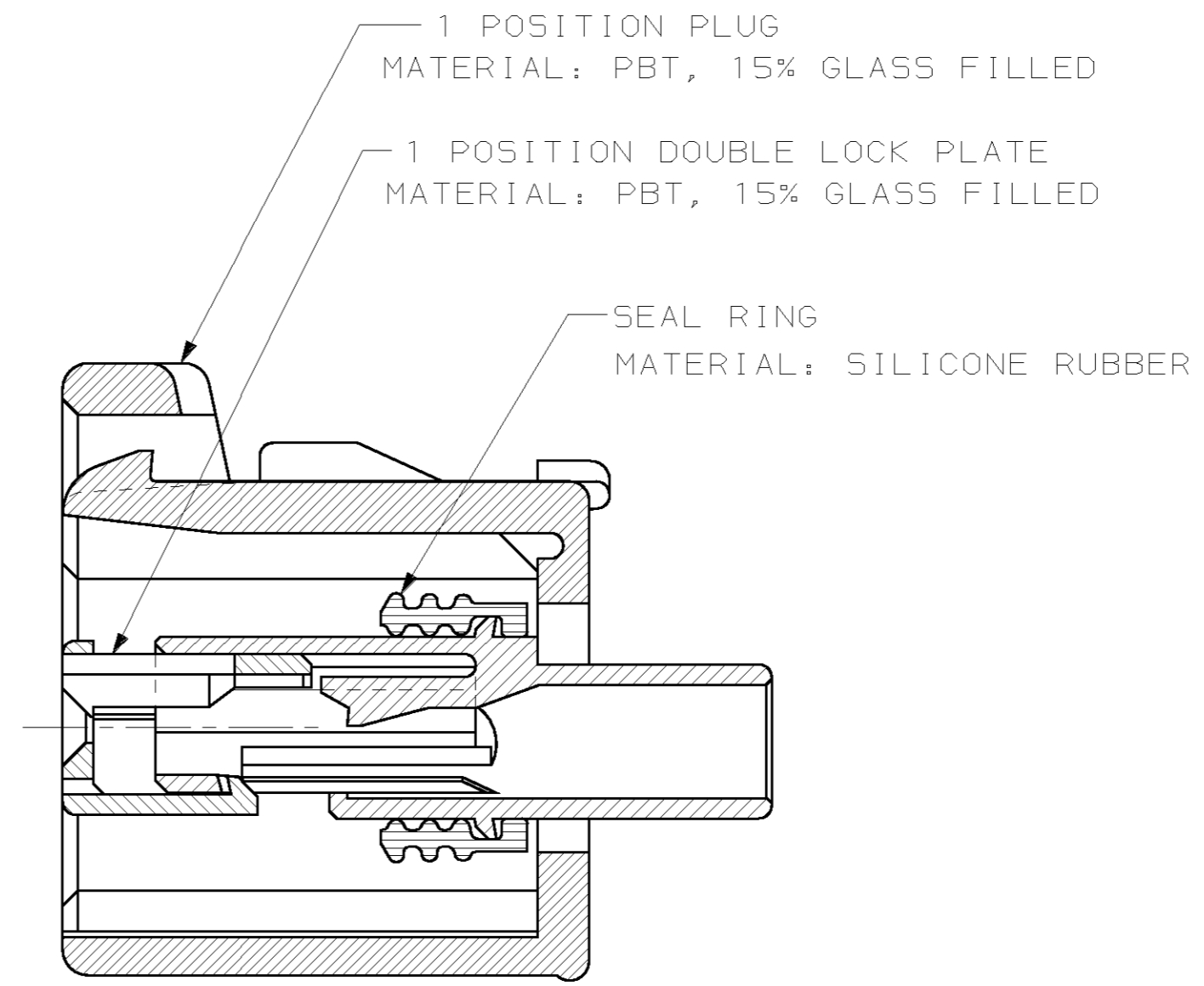
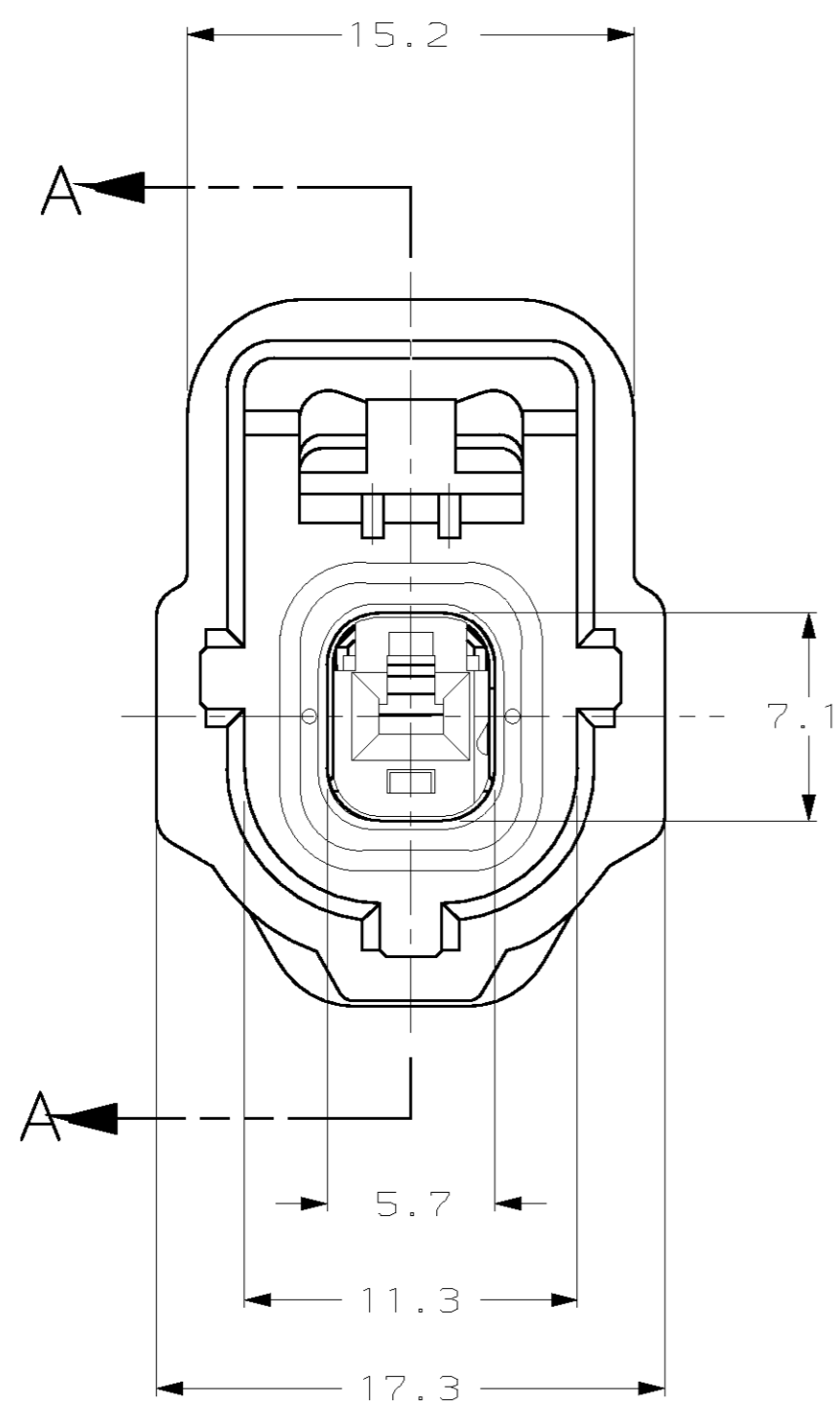
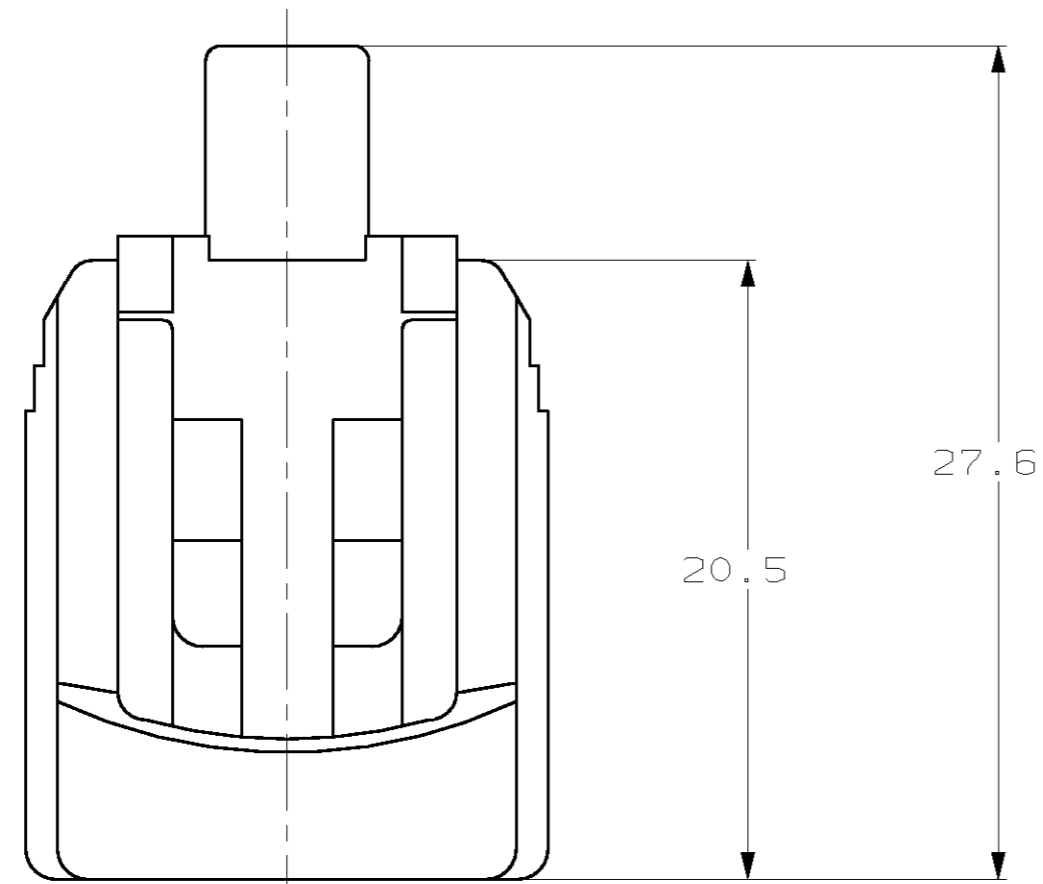


THIS DRAWING IS UNPUBLISHED. RELEASED FOR PUBLICATION .19  
 © COPYRIGHT 19 BY AMP INCORPORATED. ALL RIGHTS RESERVED.

LOC		DIST		REVISIONS			
P	LTR	DESCRIPTION	DATE	DWN	APVD		
G	16	E	REV PER ECN 0K40-0218-99	09NOV99	KL	MH	



SECTION A-A

NATURAL	184042-2
BLACK	184042-1
PLUG COLOR	PART NUMBER

<small>THIS DRAWING IS A CONTROLLED DOCUMENT FOR AMP INCORPORATED. IT IS SUBJECT TO CHANGE AND THE CONTROLLING ENGINEERING ORGANIZATION SHOULD BE CONTACTED FOR THE LATEST REVISION.</small>		DWN	KD LYTLE	5/11/94	AMP Incorporated Harrisburg, PA 17105-3608	
DIMENSIONS: mm		CHK	JP KUNKLE	6/1/94		
		APVD	JP KUNKLE	6/1/94		
TOLERANCES UNLESS OTHERWISE SPECIFIED: 0 PLC ±- 1 PLC ±0.3 2 PLC ±- 3 PLC ±- 4 PLC ±- ANGLES ±1° FINISH -		PRODUCT SPEC	NAME			1 POSITION PLUG ASSY. KEYING TYPE A
MATERIAL -		APPLICATION SPEC	WEIGHT -		SIZE	A2
		CUSTOMER DRAWING	SCALE		CAGE CODE	00779
			SHEET		DRAWING NO	C-184042
			OF		SCALE	4:1
			REV		SHEET	1 1
			E		REV	

184042

单击下面可查看定价，库存，交付和生命周期等信息

[>>TE Connectivity\(泰科\)](#)