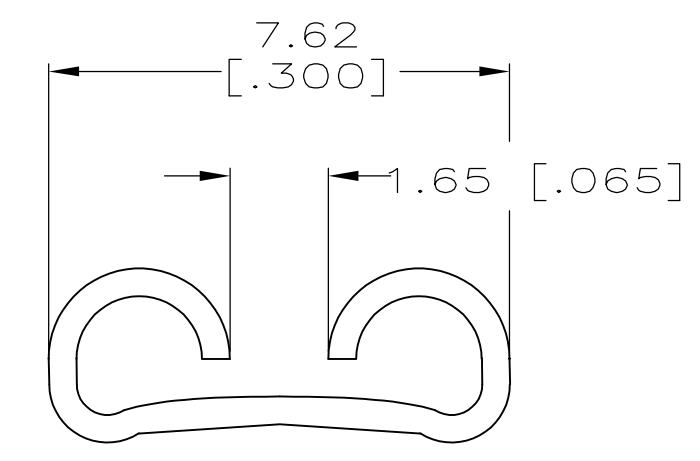
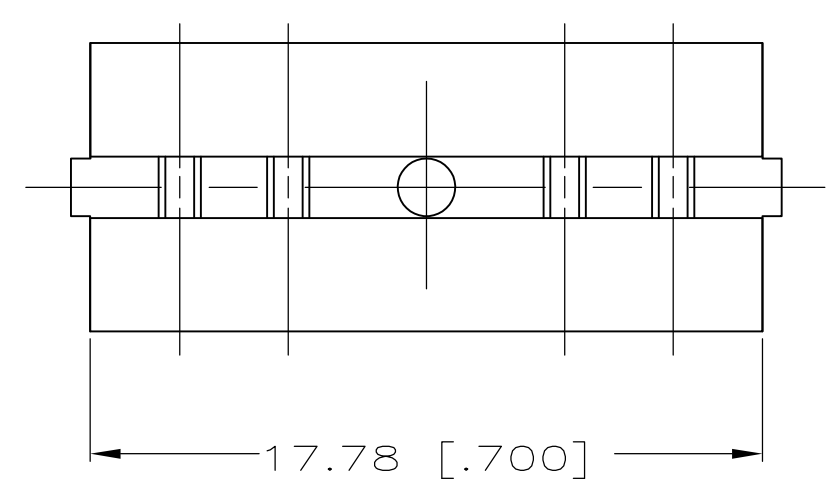


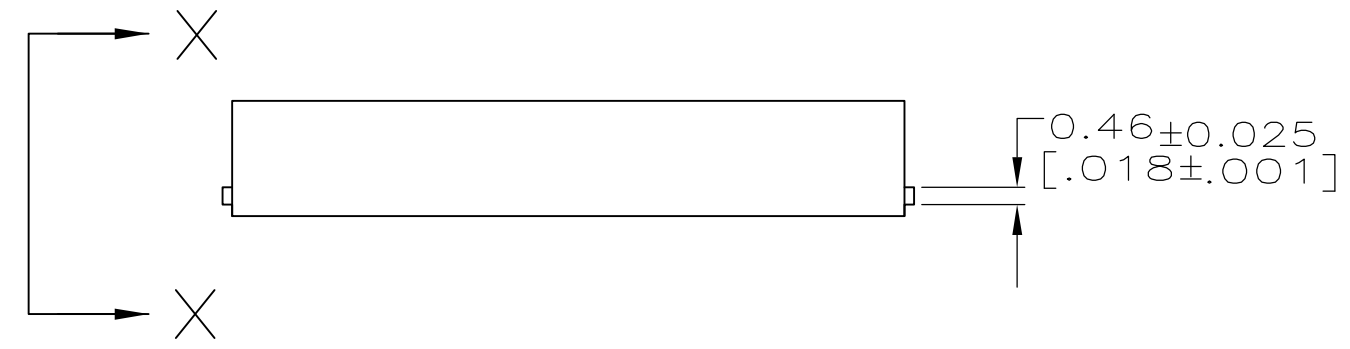
THIS DRAWING IS UNPUBLISHED. RELEASED FOR PUBLICATION
 © COPYRIGHT - By - ALL RIGHTS RESERVED.

LOC	DIST	REVISIONS			
P	LTR	DESCRIPTION	DATE	DWN	APVD
AF	50				
	D	REVISED PER ECR-12-013518	24NOV12	KH	PD


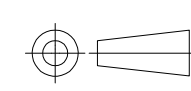
1 CONTINUOUS STRIP ON REELS



VIEW X-X
SCALE 8:1



TIN	0.635 ± 0.025 [.025 ± .001]	63918-1
FINISH	MATING TAB THICKNESS	PART NO.

THIS DRAWING IS A CONTROLLED DOCUMENT.		DWN JR RUTH 6/26/96	 TE Connectivity		
DIMENSIONS: mm [INCHES]		CHK MS FEHER 6/26/96			
		APVD V KARABCIJEVSKY 6/26/96	RECEPTACLE, FASTON, 6.35 [.250] SERIES		
TOLERANCES UNLESS OTHERWISE SPECIFIED: 0 PLC ± - 1 PLC ± - 2 PLC ± - 3 PLC ± 0.13 [.005] 4 PLC ± - ANGLES ± -		PRODUCT SPEC -	RESTRICTED TO		
MATERIAL BRASS		APPLICATION SPEC -	SIZE A3	CAGE CODE 00779	DRAWING NO C-63918
FINISH SEE TABLE		WEIGHT -	SCALE 5:1		SHEET 1 OF 1
CUSTOMER DRAWING			REV D		

单击下面可查看定价，库存，交付和生命周期等信息

[>>TE Connectivity\(泰科\)](#)